

## SKINTOP® MS-M

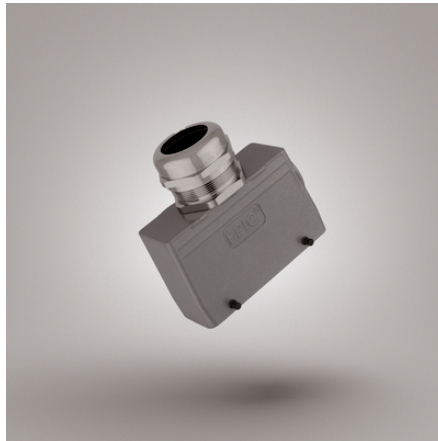
SKINTOP® MS-M, brass cable gland for cable diameters up to 98mm, in areas where mechanical and chemical stability are critical

### Info

Also available as lead-free version - the lead-free articles end on LF after the article number

SKINTOP® MS-M sizes 75 x 1.5 to 110 x 2 with innovative double lamella gasket for easier assembling of cables with large diameters.

With IP69 approval! Proven to withstand the most demanding cleaning procedures for industrial machinery with high-pressure cleaners and hot water!



Good chemical resistance



Corrosion-resistant



Mechanical resistance



Optimum strain relief



Acid-resistant



Temperature-resistant



Variety of approval certifications

### Benefits

Maximum reliability

Optimum strain relief

Last Update (14.12.2021)

©2021 Lapp Group - Technical changes reserved

Product Management [www.lappkabel.de](http://www.lappkabel.de)

You can find the current technical data in the corresponding data sheet.

PN 0456 / 02\_03.16

## SKINTOP® MS-M

Wide, variable clamping ranges

### Application range

In areas where mechanical and chemical stability are critical  
Chemical industry  
Measurement and control technology  
Machine and equipment manufacturing  
Plant engineering

### Norm references / Approvals

UL File Nr. E79903

### Product Make-up

Metric connection thread acc. to DIN EN 60423  
Basis for technical information DIN IEC 62444

### Technical Data

Classification ETIM 5:	ETIM 5.0 Class-ID: EC000441 ETIM 5.0 Class-Description: Cable screw gland
Classification ETIM 6:	ETIM 6.0 Class-ID: EC000441 ETIM 6.0 Class-Description: Cable screw gland
Caution:	Refer to Appendix T21 for the installation dimensions and torques
Certifications:	VDE, UL and DNV approval available up to size M75x1,5
Material:	Body: nickel-plated brass Insert: polyamide Sealing: CR O-ring: NBR
Protection rating:	IP 68 - 10 bar IP 69 (M12 - M63) NEMA Type 1, 4x, 6, 12
Temperature range:	Dynamic: -25°C up to +100°C Fixed: -40°C to +100°C

### Note

Photographs and graphics are not to scale and do not represent detailed images of the respective products.  
Prices are net prices without VAT and surcharges. Sale to business customers only.

Article number	Article designation / size	Ø F mm	SW wrench size mm	Overall length C mm	Thread length
SKINTOP® MS-M					
53112000	M 12 x 1,5	3.5 - 7.0	16	26.5	6.5
53112010	M 16 x 1,5	4.5 - 10.0	20	33.0	7
53112020	M 20 x 1,5	7 - 13.0	24	37.0	8
53112030	M 25 x 1,5	9 - 17.0	29	38.5	8
53112040	M 32 x 1,5	11 - 21.0	36	45.5	9
53112050	M 40 x 1,5	19 - 28.0	45	48.0	9
53112060	M 50 x 1,5	27 - 35.0	54	55.5	10
53112070	M 63 x 1,5	34 - 45.0	67	67.0	15
53112080	M 63 x 1,5 plus	44 - 55.0	75	65.5	15
53112510	M 75 x 1,5	58 - 68.0	95	105.0	15
53112512	M 90 x 2	66 - 78.0	115	135.5	20
53112514	M 110 x 2	86 - 98.0	135	154.0	25
SKINTOP® MS-M - Lead-free brass version					
53112000LF	M 12 x 1,5	3.5 - 7.0	16	26.5	6.5
53112010LF	M 16 x 1,5	4.5 - 10.0	20	33.0	7
53112020LF	M 20 x 1,5	7 - 13.0	24	37.0	8
53112030LF	M 25 x 1,5	9 - 17.0	29	38.5	8
53112040LF	M 32 x 1,5	11 - 21.0	36	45.5	9
53112050LF	M 40 x 1,5	19 - 28.0	45	48.0	9
53112060LF	M 50 x 1,5	27 - 35.0	54	55.5	10
53112070LF	M 63 x 1,5	34 - 45.0	67	67.0	15

Last Update (14.12.2021)

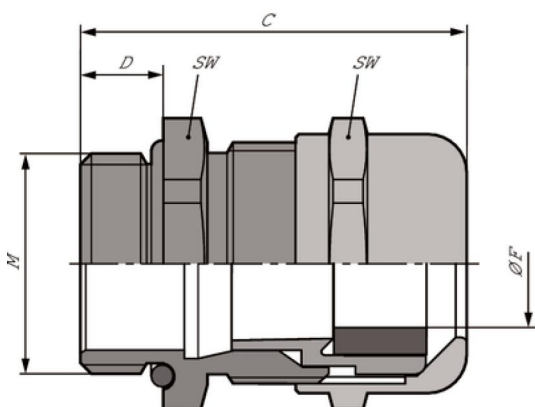
©2021 Lapp Group - Technical changes reserved

Product Management [www.lappkabel.de](http://www.lappkabel.de)

You can find the current technical data in the corresponding data sheet.

PN 0456 / 02\_03\_16

**SKINTOP® MS-M**



## X-ON Electronics

Largest Supplier of Electrical and Electronic Components

*Click to view similar products for [Cable Glands, Strain Reliefs & Cord Grips](#) category:*

*Click to view products by [Lapp Kabel](#) manufacturer:*

Other Similar products are found below :

[1218](#) [1300980012](#) [1300980105](#) [DBZM-6828](#) [1498](#) [915](#) [300623](#) [5632NM](#) [1124](#) [1151](#) [561-MP6P4WH](#) [5534M](#) [5525](#) [9000005073](#) [5315817](#)  
[N16 025 0112 1](#) [N16 020 0112 1](#) [M6106 7422](#) [NG-9516 Gasket](#) [N16 016 0112 1](#) [NG-9514 Gasket](#) [52006151](#) [2704](#) [BM4940L](#) [BM4950L](#)  
[1.209.1218.70](#) [1.209.2101.14](#) [1.209.2901.14](#) [1.209.6400.70](#) [1.209.6400.71](#) [1.262.4200.11](#) [52015760](#) [52103150](#) [53119073](#) [54115405](#)  
[52004120](#) [APGPG36BA](#) [1300990004](#) [G-INS-PG9-M68N-PNES-BK](#) [G-INS-M16-T68N-PNES-BK](#) [G-INS-M20-M68N-PNES-BK](#) [G-INS-](#)  
[M25-S68N-NNES-S](#) [1.089.0902.19](#) [1.089.0904.19](#) [1.089.0999.19](#) [1.089.1102.19](#) [1.251.2900.11](#) [1.251.3601.11](#) [1.251.4000.50](#)