

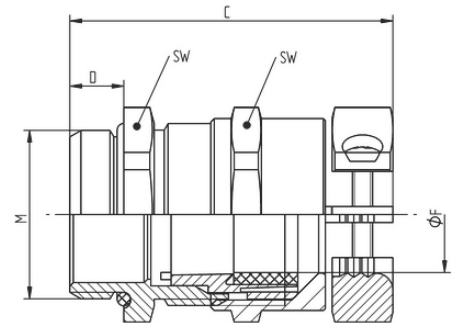
SKINTOP® MS-HF-M GRIP

SKINTOP® GRIP-M Saddle-clamp strain relief cable gland for harsh application conditions

Info

Cable gland for railway applications

Hazard Level: HL 3



Rail



Flame-retardant



Halogen-free



Optimum strain relief



Reliability

Benefits

Halogen-free and flame-retardant

Reliable bending and anti-kink protection

High strain relief

For high mechanical stress

Application range

Saddle clamp strain relief gland for harsh application conditions

Portable equipment

Machines and systems on building sites

Crane and conveying machinery

Plant engineering

Last Update (22.05.2022)

©2022 Lapp Group - Technical changes reserved

Product Management www.lappkabel.de

You can find the current technical data in the corresponding data sheet.

PN 0456 / 02_03.16

SKINTOP® MS-HF-M GRIP

Norm references / Approvals

DIN EN 45545-2 (HL3)

DIN EN 45545-3 (E30)

Product Make-up

Metric connection thread acc. to DIN EN 60423

Basis for technical information DIN IEC 62444

Technical Data

Classification ETIM 5:

ETIM 5.0 Class-ID: EC000441

ETIM 5.0 Class-Description: Cable screw gland

Classification ETIM 6:

ETIM 6.0 Class-ID: EC000441

ETIM 6.0 Class-Description: Cable screw gland

Caution:

Refer to the instruction leaflet for the installation dimensions and torques

Material:

Body: nickel plated brass

Insert: halogen-free polyamid acc. to UL 94 V0

Sealing: special elastomer

O-ring: special elastomer

Protection rating:

IP 68 - 5 bar

Temperature range:

Dynamic: -25°C up to +100°C

Fixed: -40°C up to +100°C

Note

Photographs and graphics are not to scale and do not represent detailed images of the respective products.

Prices are net prices without VAT and surcharges. Sale to business customers only.

SKINTOP® MS-HF-M GRIP

Article number	Article designation / size	Ø F mm	SW wrench size mm	Overall length C mm	Thread length D mm	Pieces / PU
53112551	M 16 x 1,5	4.5 - 10	20	41.0	7	25
53112552	M 20 x 1,5	7 - 13	24	46.0	8	25
53112553	M 25 x 1,5	9 - 17	29	48.5	8	25
53112554	M 32 x 1,5	11 - 21	36	56.6	9	25

Last Update (22.05.2022)

©2022 Lapp Group - Technical changes reserved

Product Management www.lappkabel.de

You can find the current technical data in the corresponding data sheet.

PN 0456 / 02_03_16

X-ON Electronics

Largest Supplier of Electrical and Electronic Components

Click to view similar products for [Cable Glands, Strain Reliefs & Cord Grips](#) category:

Click to view products by [Lapp Kabel](#) manufacturer:

Other Similar products are found below :

[1218](#) [1300980012](#) [1300980105](#) [DBZM-6828](#) [1498](#) [15190-103 R2](#) [300623](#) [07402002](#) [1151](#) [VC-M-KV-PG16 1X3/1X8](#) [5525](#) [9000005073](#)
[N16 025 0112 1](#) [M6106](#) [NG-9516 Gasket](#) [53629556](#) [53629570](#) [53629675](#) [52025230](#) [52024853](#) [53019051](#) [53112879](#) [53119063](#) [53018090](#)
[1300990004](#) [Z5.507.2321.0](#) [CGB295-SG](#) [SSTP-13.5](#) [SSTP-M50](#) [1.089.1399.19](#) [1.089.2106.19](#) [1.089.2901.19](#) [1.089.2905.19](#) [1.089.3699.19](#)
[V-TEC L PG29 LGR](#) [116 M63 LGR PA](#) [1.581.3200.51](#) [1.687.1601.50](#) [02A242](#) [4136](#) [SR2](#) [SR1](#) [M4364](#) [M3249](#) [GPA M63-L](#) [1.597.1605.00](#)
[1.597.2001.50](#) [1.597.2003.50](#) [1.597.2100.00](#) [1.597.2501.50](#)