



DATA SHEET	54115200
SKINTOP® K-M / KR-M ATEX plus	valid from: 30.11.2015

The SKINTOP® K-M / KR-M ATEX *plus* is a special cable gland, based of polyamide. It is designed particularly for the use in electrical equipment in areas with risk of explosion, which require class "e" security (DIN EN 60079-0, DIN EN 60079-7, DIN EN 61241-0, DIN EN 61241-1).



Components:

Gland body	Polyamide, V2 acc. to UL 94
Cap nut	Polyamide, V2 acc. to UL 94
Sealing ring	Special elastomer
O-ring:	NBR

Technical features:

Connecting thread	M12x1,5 up to M63x1,5 acc. to EN 60423
Functional thread	Multi-start trapezoidal thread
Protection class	IP66 acc. to EN 60529 IP68 – 10 bar, test acc. to EN 60529
Temperature range	-20 °C up to +80 °C
Design	K-M standard KR-M with reducing sealing ring (for smaller cable diameters)
Colour	RAL 9005 black, UV resistant

Approvals:



EC Type Examination Certification: IBExU 08 ATEX 1063x

IECEX Certificate: IECEX IBE 13.0027x

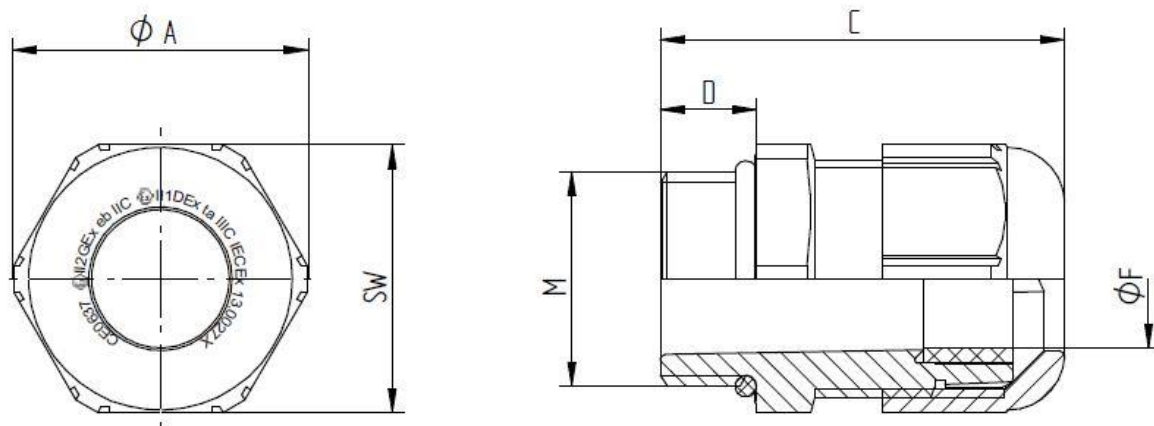
Norm references:



For more information please see our current catalogue.

elaborated by: PDP: T. Dvoulety	Document: DB54115200EN	page 1 von 2
------------------------------------	------------------------	--------------

DATA SHEET	54115200
SKINTOP® K-M / KR-M ATEX plus	valid from: 30.11.2015



SKINTOP® K-M ATEX plus

M	SW [mm]	Ø A [mm]	C [mm]		D [mm]	Ø F [mm] Clamping range	Article No.
			min.	max.			
M12x1,5	15	16,6	26,5	30,0	8	3-5,5	54115200
M16x1,5	19	21,1	29,0	34,0	8	7-9	54115210
M20x1,5	25	27,6	34,0	38,0	9	7-13	54115220
M25x1,5	30	33,6	35,0	40,0	10	11-17	54115230
M32x1,5	36	40,3	39,0	47,0	10	12-21	54115240
M40x1,5	46	51,6	43,0	52,0	10	19-28	54115250
M50x1,5	55	61,6	54,0	62,0	12	27-35	54115260
M63x1,5	66	73,9	59,0	71,0	12	37-45	54115270

SKINTOP® KR-M ATEX plus

M	SW [mm]	Ø A [mm]	C [mm]		D [mm]	Ø F [mm] Clamping range	Article No.
			min.	max.			
M12x1,5	15	16,6	26,5	30,0	8	2-4	54115205
M16x1,5	19	21,1	29,0	34,0	8	4-6	54115215
M20x1,5	25	27,6	34,0	38,0	9	5-10	54115225
M25x1,5	30	33,6	35,0	40,0	10	6-13	54115235
M32x1,5	36	40,3	39,0	47,0	10	9-15	54115245
M40x1,5	46	51,6	43,0	52,0	10	16-23	54115255
M50x1,5	55	61,6	54,0	62,0	12	22-29	54115265
M63x1,5	66	73,9	59,0	71,0	12	29-39	54115275

X-ON Electronics

Largest Supplier of Electrical and Electronic Components

Click to view similar products for [Wire Identification category](#):

Click to view products by [Lapp Kabel manufacturer](#):

Other Similar products are found below :

[CU6337-000](#) [CU6342-000](#) [FCA-410-12](#) [11631010](#) [1-1768037-1](#) [1-1768037-2](#) [1-1768050-0](#) [PXLK-VI](#) [Q62184-1](#) [A64304-000](#) [QMT221](#)
[HK032WE1NF038B](#) [1330-0519-10](#) [1395199-1](#) [1395200-1](#) [1395202-1](#) [DMVF050WE-300S6](#) [D-SCE-1K-2.4-50-4-CS7834](#) [1538738-1](#)
[E90935-000](#) [EC1238-000](#) [EC1465-000](#) [EC1855-000](#) [EC1859-000](#) [EC1863-000](#) [EC5415-000](#) [EC7277-000](#) [EC7352-000](#) [EC7603-000](#)
[EC7707-000](#) [EC7735-000](#) [EC7768-000](#) [EC7828-000](#) [EC7854-000](#) [EC7952-000](#) [EC8128-000](#) [1768037-8](#) [1768041-7](#) [NC-127191-10-9](#)
[HS048WE2NF038B](#) [C03232-000](#) [HTCM-SCE-14-4H-9](#) [HTMS-3/16-9](#) [HT-SCE-1/4-2.0-4](#) [HT-SCE-3/16-2.0-4](#) [HTTMS-1/2-1.50-9](#) [HTTMS-](#)
[CM-1/2-4H-9](#) [HX-SCE-19.0-50-9](#) [HX-SCE-6.4-50-4](#) [C25254-000](#)