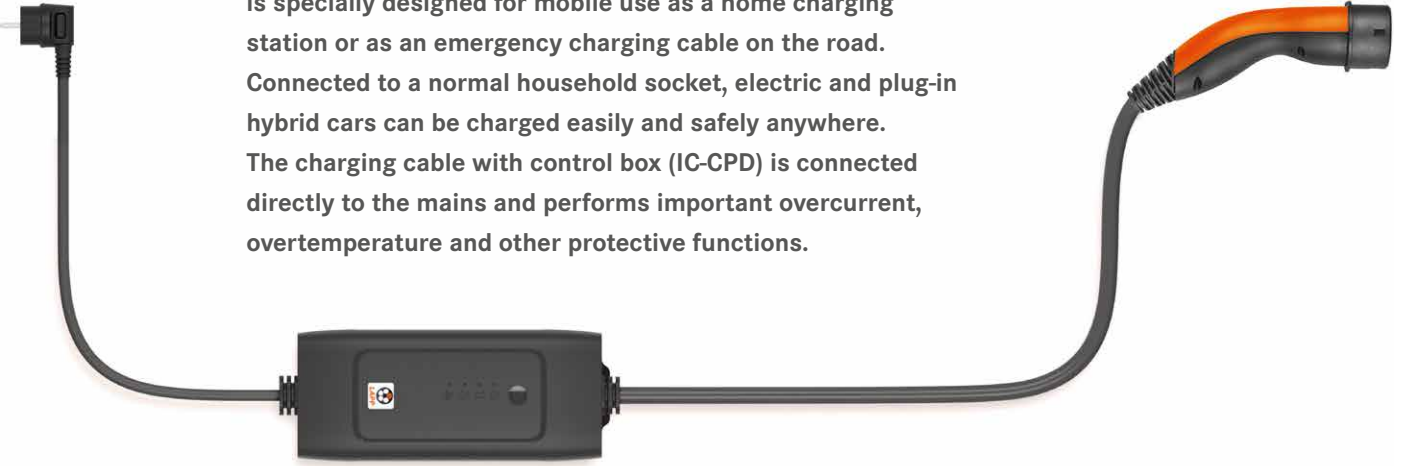


# MOBILE CHARGING STATION BASIC

ITEM NO.: 5555921001 | TYPE 2, MODE 2 CHARGING CABLE, 10A, 1-phase, 6m  
FOR CHARGING ELECTRIC AND HYBRID CARS

## >> THE MOBILE CHARGING STATION BASIC FROM LAPP

is specially designed for mobile use as a home charging station or as an emergency charging cable on the road. Connected to a normal household socket, electric and plug-in hybrid cars can be charged easily and safely anywhere. The charging cable with control box (IC-CPD) is connected directly to the mains and performs important overcurrent, overtemperature and other protective functions.



## ADVANTAGES AT A GLANCE

- Home charging station and mobile emergency charging cable for use with standard household sockets
- 100% user-friendly. Simply plug in. Current does not need to be adjusted.
- The charging procedure is automatic and ends as soon as the battery is fully charged
- Ergonomic solid connector/coupling design
- Complies with all relevant VDE and IEC product requirements
- Robust design
- Control box protection type IP67
- Rollover safe

## ELECTRICAL DATA

- Nominal voltage range 110-240V
- Nominal current 10A
- Frequency 50-60 Hz
- Fault current circuit breaker (RCD)  $\leq 30\text{mA AC}; \leq 6\text{ mA}$

## KEY FEATURES

- Robust and fall protected housing design with additional bonding PA6-GF25 with 4-6mm wall thickness
- Mounting hook on housing
- Housing with LED status indicator
- Housing with sealing membrane for pressure compensation
- Also available with CEE blue 230V/16A/1ph for charging capacity up to max. 3.7kW and additional country-specific power connectors (type G, J, K, I)

## SAFETY FUNCTIONS

- Self-test on start
- Leakage current detection
- Charge monitoring with communication to vehicle
- Protective conductor monitoring (not on IT version)
- Relay monitoring
- Overcurrent detection
- Over and undervoltage detection
- IC-CPD temperature monitoring
- Power connector temperature monitoring (country-specific)
- Control box protection type IP67
- Rollover safe
- Fall protection
- Halogen-free
- Flame-retardant
- Oil-resistant
- Ambient temperature  $-25^{\circ}\text{C}$  to  $+45^{\circ}\text{C}$

## INCLUDED IN DELIVERY

- Mode 2 charging cable, ICCB control box, shockproof connector, type 2 coupling
- IEC 62752 certified by VDE
- Multi-language operating instructions

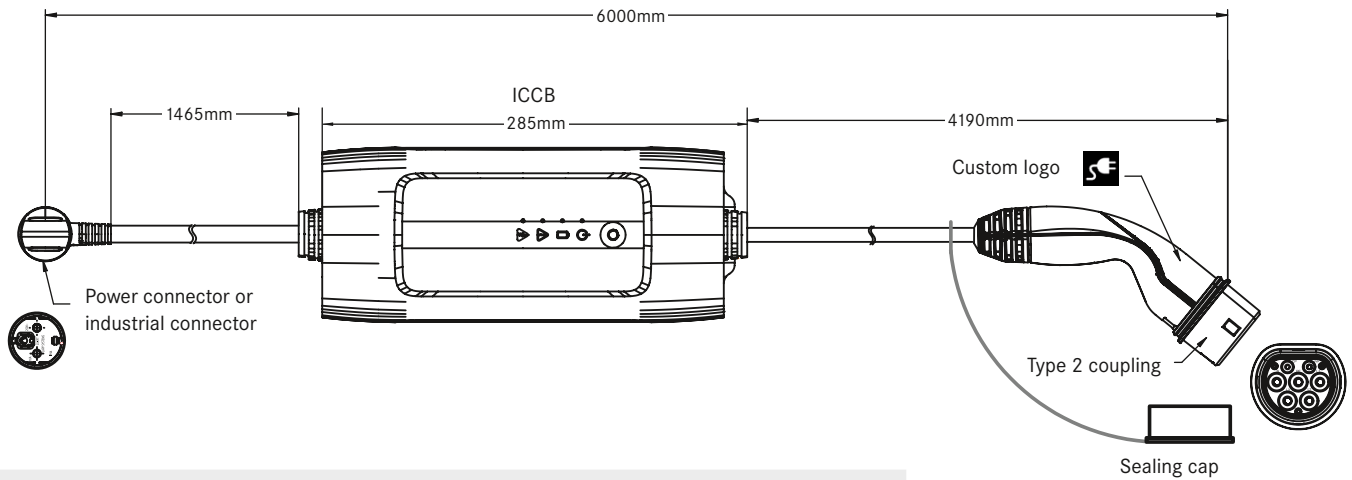
## TECHNICAL INFORMATION

- Electrical equipment for electric vehicles design in compliance with IEC standards, charging system for electric vehicles (IEC 61851-1)
- In-cable control and protection device (IEC 62752)
- Power connector EF/shockproof (power connector charging current 6A/8A/10A)
- Vehicle connector (IEC 62196)
- Charging mode 2
- Protection type IP44
- Transmission of charging currents up to 10A. This allows charging procedures up to 2.3 kW
- Total length: 6m
- Weight 2.65kg
- Control box dimensions (ICCB): 320 x 124 x 84mm

# DATA SHEET

## MOBILE CHARGING STATION BASIC

ITEM NO.: 5555921001 | MODE 2 BASIC LC M2B EF EN 10AT IEC 16A 1P T2C EN 6000



### Cable properties

Cable design	Smooth
Cable construction	ÖLFLEX® CHARGE 3G 2.5mm <sup>2</sup> +0.5
Cable designation	LAPP Kabel Stuttgart ÖLFLEX® CHARGE EVC 750/450 VAC EN 50620
Cable colour	Basalt grey
Cable construction	PP extruded D 10/mains cable D 9.7mm +/- 0.30mm

### Connector/coupling

Type 2 coupling	Power contacts (L1, N, PE) 240V-415V
Shockproof EF type connector	Contacts (L1, N, PE) max. 250V AC with NTC temperature monitoring/ protection type IP44
Coupling signal contacts	2A (CP, PP) 30V DC
Coupling contact surface	5-6µm Ag-coated
Isolation voltage	500V
Coding resistor between PP and PE	220 Ohm +/- 1%; 1W
Contact resistors	Improved electrical design due to additional soldering
Connector/coupling design	Design line
Connector/coupling materials	Hard component PA
Coupling logo	LAPP e-Mobility
Type 2 coupling cap	Protective cap with Velcro
Maximum charging current	10A 1ph AC IT mains side
Coupling colour	Orange/black

### General properties

Coupling protection type	IP44 with protective cap IP24 without protective cap
Coupling standard	IEC 62196-1; IEC 62196-2
Approvals	VDE certified and CE compliant
Directives	2014/35/EU (Low Voltage Directive), 2011/65/EU (RoHS) and 2015/863/EU. IEC 61851, IEC 62752

#### Lapp Mobility GmbH

Oskar-Lapp-Str. 2 · D-70565 Stuttgart · Phone: +49 711 7838 - 04  
Fax: +49 711 7838 - 3520 · www.lappmobility.com



## X-ON Electronics

Largest Supplier of Electrical and Electronic Components

*Click to view similar products for [Specialised Cables](#) category:*

*Click to view products by [Lapp Kabel](#) manufacturer:*

Other Similar products are found below :

[706000D02F200](#) [910640](#) [96CB-L2020PIB2](#) [AC172](#) [ACL-SSI-4](#) [1300150047](#) [1300660036](#) [1302260080](#) [1300150079](#) [1300220119](#)  
[1301240492](#) [1365323-1](#) [1589946-2](#) [1971465-2](#) [20240400003](#) [20886510030](#) [2-22733-8](#) [3011-03](#) [SSM005PC0DY012Q](#) [CCS-FCB-5](#)  
[CCSFCBF2](#) [426122200-3](#) [VMMP6R](#) [427492400-3](#) [05AD05X](#) [10075358-F0200YYLF](#) [1052015-1-10](#) [540012](#) [RTPADPTR02](#) [636083-1](#)  
[83010-0157](#) [VMMP2BK](#) [VMMP1BK](#) [ENP2205M030](#) [5-1589943-0](#) [N12601](#) [1300660038](#) [1300300020](#) [1300150101](#) [1300140041](#)  
[1300660049](#) [1300300014](#) [1300150058](#) [1300150050](#) [1300150031](#) [1300140064](#) [1200900023](#) [00-4951](#) [XW2Z100JF1](#) [1200900047](#)