

	<b>DATA SHEET</b>	
Valid from: 07-12-2018	<b>FLEXIMARK® Cable Tie Plier HT-338</b>	

Plier for mounting FLEXIMARK® stainless steel marking with FLEXIMARK® Stainless steel cable ties.



### Technical data:

Measure:	178x140x29mm
Cutting width (cable ties):	≤7,9mm
Cutting thickness (cable ties):	≤0,3mm
Guaranteed amount of pulls:	2000
Colour:	Grey

### Other product data:

ETIM Classification:	EC000453
----------------------	----------

### Advantages:

FLEXIMARK® Cable tie plier makes mounting of cable marking with FLEXIMARK® Stainless steel cable ties (coated or uncoated) much easier.

Automatic cutting function makes mounting more efficient.

Adjustable tension force gives you possibility to adjust how tight the cable ties should be mounted.

FLEXIMARK® Stainless steel cable ties are available in FLEXIMARK® assortment.

### Mounting:

By pulling the handle you tighten the cable tie around the cable.

When the cable tie is tight enough, the cable tie plier cuts the cable tie automatically.

By adjusting the traction force you can easily adjust the right force for the cable.

Creator: Fleximark/LR	Document: DB83250022EN FLEXIMARK Cable tie plier HT-338 Version: 02	Page 1 of 3
-----------------------	------------------------------------------------------------------------	-------------

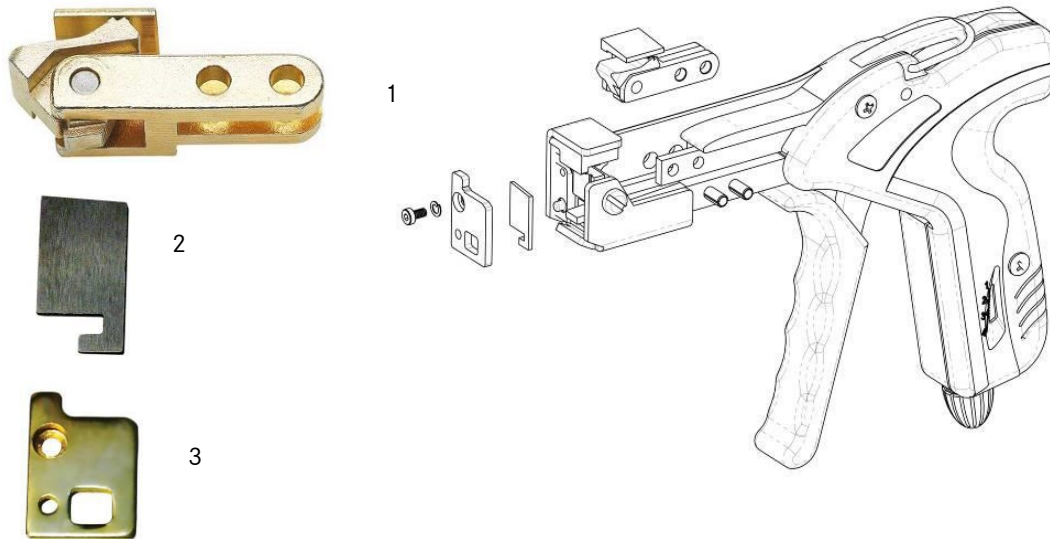
	<b>DATA SHEET</b>	
Valid from: 07-12-2018	<b>FLEXIMARK® Cable Tie Plier HT-338</b>	

**Product data:**

E-nr.	LAPP Part no.	Article designation	Colour	Content (unit)	Weight (kg)	PU
1605830	83250022	FLEXIMARK Cable tie plier HT-338	Grey	1	0,56	1

**Product data spare parts:**

E-nr.	LAPP Part no.	Article designation	Picture	Content (unit)	PU
1605831	83250023	FLEXIMARK Spare part HT-338	1	1	1
	83250021	FLEXIMARK Spare part knife HT-338-33	2	1	1
	83250024	FLEXIMARK Spare part HT-338-32	3	1	1



Creator: Fleximark/LR	Document: DB83250022EN FLEXIMARK Cable tie plier HT-338 Version: 02	Page 2 of 3
-----------------------	------------------------------------------------------------------------	-------------

	<b>DATA SHEET</b>	
Valid from: 07-12-2018	<b>FLEXIMARK® Cable Tie Plier HT-338</b>	

**Related products:**

With FLEXIMARK® stainless steel cable ties and FLEXIMARK® Cable tie plier you can easily mount FLEXIMARK® Stainless steel marking on cables with different cable diameter. All stainless steel articles from Fleximark are produced from high quality stainless steel material; SIS SS2348 (AISI-316).

FLEXIMARK® Stainless steel marking is available as marking with customized embossed text and also as standard marking on site with stainless steel characters and holders.



FLEXIMARK® Stainless steel cable ties are available in many different lengths and widths. You can choose between coated and uncoated cable ties.



**Note:**

Pictures are not to scale and do not represent detailed images of each product.

Creator: Fleximark/LR	Document: DB83250022EN FLEXIMARK Cable tie plier HT-338 Version: 02	Page 3 of 3
-----------------------	------------------------------------------------------------------------	-------------

## X-ON Electronics

Largest Supplier of Electrical and Electronic Components

*Click to view similar products for [Crimpers / Crimping Tools](#) category:*

*Click to view products by [Lapp Kabel](#) manufacturer:*

Other Similar products are found below :

[010-0096](#) [M225201-06](#) [M225202-37](#) [6-1579015-5](#) [CT150-2-D02](#) [CT150-6-RH07](#) [622-6441LF](#) [M322](#) [6-304052-1](#) [63456-0054](#) [63484-3701](#)  
[63800-8355](#) [63819-1875](#) [63819-2875](#) [63819-4475](#) [63823-3475](#) [63827-5375](#) [64001-0975](#) [64001-4175](#) [64005-0175](#) [662903-2](#) [690602-6](#) [7-](#)  
[1579001-9](#) [7-23471-1](#) [762637-1](#) [808714-1](#) [811242-5](#) [91362-1](#) [999-50-020083](#) [1-21002-3](#) [1-21002-7](#) [12085270](#) [1-21002-6](#) [1-21113-6](#) [1-](#)  
[22548-4](#) [125442-1](#) [DCE.91.073.BVC](#) [DCE.91.090.3MVM](#) [DCE.91.130.5MVU](#) [DCE.91.202.BVCM](#) [1338300-1](#) [1-354003-0](#) [1338301-1](#)  
[142321](#) [AP105-DF11-2428S\(64\)](#) [1456088-1](#) [1490794-1](#) [1-45804-6](#) [1490357-2](#) [1490357-3](#)