


21700140	<b>DATA SHEET</b>	
Valid from: 27.10.2020	<b>ETHERLINE® ACCESS PNF(P*)T</b>	

## Description

- PROFINET IO-Switch, managed
- Fast and easy configuration and diagnose via PROFINET or web interface, Ports: RJ45
- Configuration with command line (Telnet, SSH) possible
- Diverse management and maintenance policies available (e.g. MRP-Client, LLDP, DCP, SNMP, alarm diagnosis, port-mirroring, network statistics (frames, failure))
- PROFINET Conformance Class B



## General characteristics

Interfaces	RJ45 Port: each 100 Mbit/s
Switch properties	medium redundancy (MRP), automatic address/topology recognition (LLDP, DCP)
Temperature range	ambient temp.: -40°C bis +75°C (-40°F bis 167°F) (PNF04T & PNF08T) ambient temp.: 0°C to +60°C (32°F to 140°F) (PNF16T) transport - and storage temp.: -40°C to +85°C (-40°F to 185°F)
relative humidity	95 % (non-condensing)
Pollution degree	2
Protocol	PROFINET IO acc. IEC 61158-6-10
MTBF (mean time between failures)	133.239 Std @ MIL-HDBK-217 (PNF04T) 114.668 Std @ MIL-HDBK-217 (PNF08T) 84.446 Std @ MIL-HDBK-217 (PNF16T)


## Variation

Article	Description	Ports (P*) [amount]
21700140	ETHERLINE ACCESS PNF04T	04
21700142	ETHERLINE ACCESS PNF08T	08
21700143	ETHERLINE ACCESS PNF16T	16

## Power requirements

Connection	1 removable 5-pole terminal block
Power Input	24-48 V DC (18-60V DC)
Power Consumption (max.)	11 W
Input current (max.)	0.62 A
Overload voltage protection	support
Reverse polarity protection	support

Creator: FELI1/PDP Released: IVSE1/PDP	Document: DB21700140EN Version: 03	Page 1 of 3
---	---------------------------------------	-------------

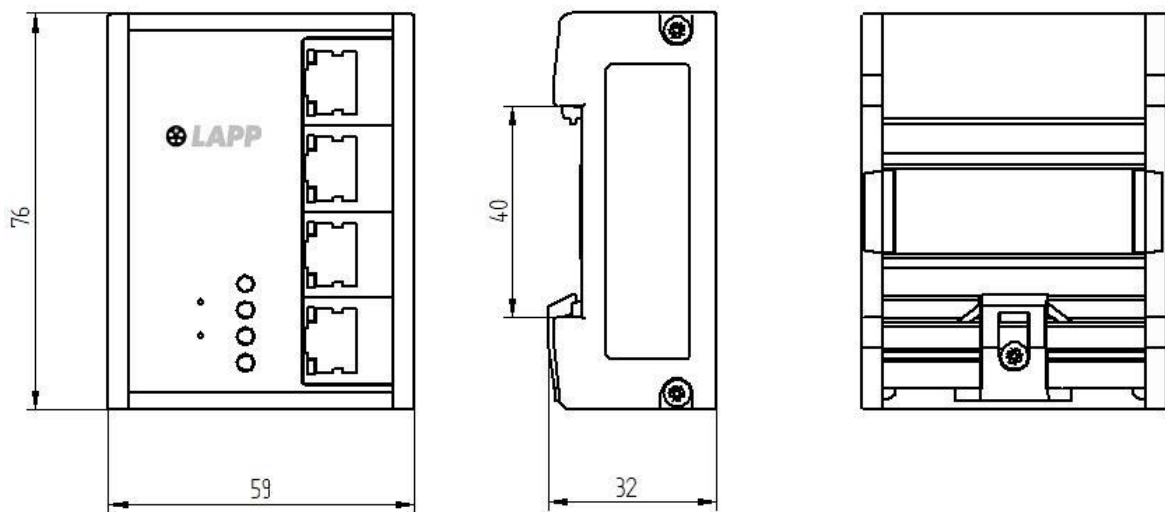
21700140	<b>DATA SHEET</b>	
Valid from: 27.10.2020	<b>ETHERLINE® ACCESS PNF(P*)T</b>	

### Physical properties

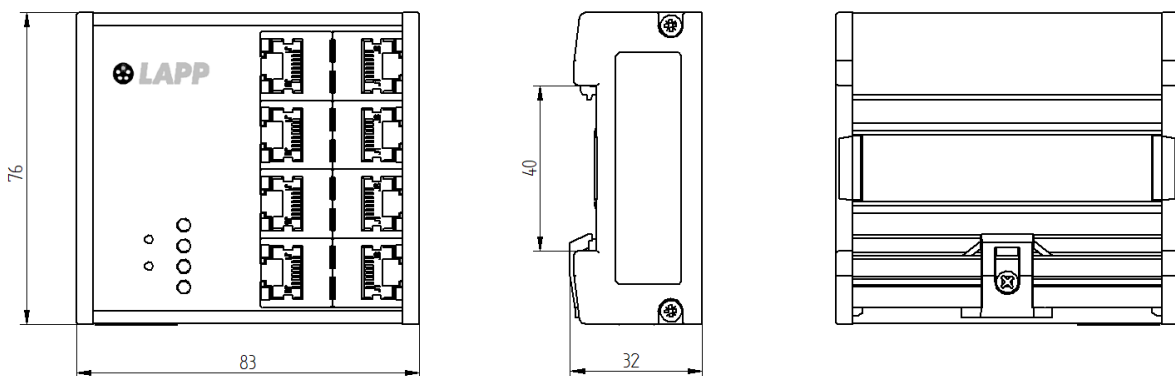
IP class	IP20
Weight	0.13 kg (PNF04T)
	0.18 kg (PNF08T)
	0.31 kg (PNF16T)
Installation	DIN-rail mounting


### Technical drawing

Dimensional drawing (NF04-T)

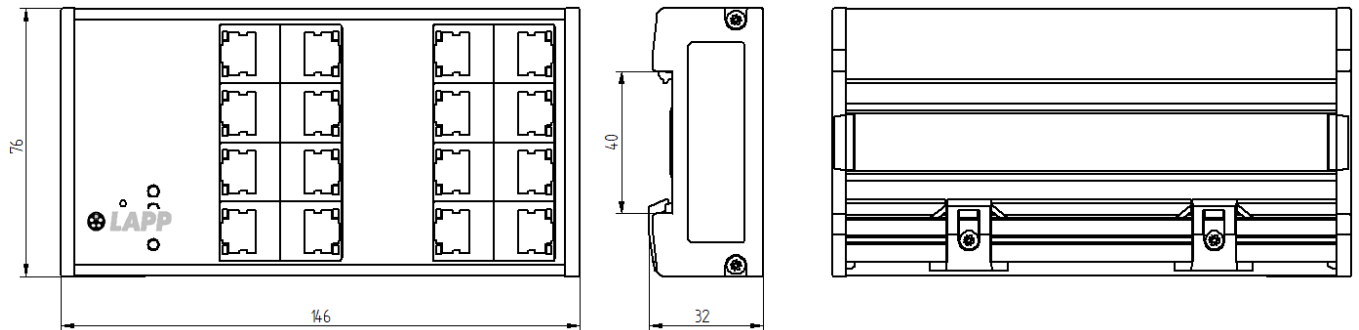


Dimensional drawing (NF08-T)



21700140	<b>DATA SHEET</b>	
Valid from: 27.10.2020	<b>ETHERLINE® ACCESS PNF(P*)T</b>	

Maßzeichnung (NF16-T)



### Standards and approvals

EMC	DIN EN 61000-6-2 DIN EN 61000-6-4
PROFINET	Conformance Class B Netload Class I
Approvals	CE UL (E331560)

### Application range

Automation, industrial machinery and plant engineering

### Note

Photographs are not to scale and do not represent detailed images of the respective products.

Creator: FELI1/PDP Released: IVSE1/PDP	Document: DB21700140EN Version: 03	Page 3 of 3
---	---------------------------------------	-------------

## X-ON Electronics

Largest Supplier of Electrical and Electronic Components

*Click to view similar products for [Controllers](#) category:*

*Click to view products by [Lapp Kabel](#) manufacturer:*

Other Similar products are found below :

[61FGPN8DAC120](#) [CV500SLK21](#) [70177-1011](#) [F03-03 HAS C](#) [F03-31](#) [81550401](#) [H2CAC24A](#) [H2CRSAC110B](#) [R88A-CRGB003CR-E](#)  
[R88ARR080100S](#) [R88A-TK01K](#) [DCN1-1](#) [AFP0RT32CT](#) [DRT2ID08C](#) [DTB4896VRE](#) [DTB9696LVE](#) [E53-AZ01](#) [E53E01](#) [E53E8C](#)  
[E5C4Q40J999FAC120](#) [E5CWLQ1TCAC100240](#) [E5GNQ03PFLKACDC24](#) [B300LKL21](#) [NSCXDC1V3](#) [NSH5-232CW-3M](#)  
[NT20SST122BV1](#) [NV-CN001](#) [OAS-160-N](#) [C40PEDRA](#) [K31S6](#) [K33-L1B](#) [K3MA-F 100-240VAC](#) [K3TX-AD31A](#) [89750101](#) [L595020](#)  
[SRM1-C02](#) [SRS2-1](#) [G32X-V2K](#) [26546803](#) [26546805](#) [PWRA440A](#) [CPM1AETL03CH](#) [CV500SLK11](#) [3G2A5BI081](#) [3G2A5IA122](#)  
[3G2A5LK010E](#) [3G2A5OA223](#) [3G2A5OD211](#) [3G2A5PS223E](#) [3G2A5RM001EV1](#)