


|                           |                                  |   |
|---------------------------|----------------------------------|---|
| 21700138                  | <b>DATA SHEET</b>                |  |
| Valid from:<br>17.06.2020 | <b>ETHERLINE ACCESS U04TP01T</b> |   |

## Description

- Fast Ethernet PoE (Power over Ethernet) Network-Switch (10/100BaseT(X)), unmanaged
- Ports: 5x RJ45 (of which 4x RJ45 PoE-capable acc. IEEE802.3at/af)
- Switch usable as end-span PSE with max. 30 W per port
- Suitable for harsh industrial environments (Protection class IP30)



## General characteristics

### Interfaces & buttons

#### 5x RJ45 Port:

1x 10/100BaseT(X) auto-negotiation, full-/ halfduplex-mode and Auto-MDI/MDI-X-connection  
 4x 10/100BaseT(X) auto-negotiation, full-/ halfduplex-mode and Auto-MDI/MDI-X-connection and PoE-enabled (according to IEEE802.3af/at max. 30 W per port)

#### 2x DIP switch:

Activate/deactivate Broadcast Storm Protection  
 Activate/deactivate Jumbo Frames

### Switch properties

MAC- tablesize: 8 K  
 packet-bufferize: 1 Mbit  
 packet forwarding rate: 0.744 Mpps  
 Jumbo Frame-Size: 10 KB (max.)

### Temperature range

operating temp.: -40°C to +75°C (-40°F to 167°F)  
 Storage temperature: -40°C to +85°C (-40°F to 185°F)

### Relative humidity

5% to 95 % (non-condensing)

### Standards

IEEE 802.3i (10BaseT)  
 IEEE 802.3u (100BaseTX)  
 IEEE 802.3af/at (PoE)

### Type of data transmission

Store and Forward

### MTBF (mean time between failures)

2.638.081 Std @ Telcordia (Bellcore), GB

## Power requirements

### Connection

1 removable 4- pole terminal block

### Input voltage

24VDC (12-36VDC)

### Power Consumption (max.)

5.5 W (without PD)  
 60 W (at 12 V DC, max. 15 W per port)  
 120 W (at 24 V DC, max. 30 W per port)

### Input current (max.)

0.5 A (without PD)  
 6 A (with PD)

### PD (Powered Device) Detection and classification

support

### PoE overload current protection

support


### Reverse polarity protection

support

### Redundancy protection

support

|   |                                       |             |
|---|---------------------------------------|-------------|
| Creator: FELI1/PDP<br>Released: IVSE1/PDP | Document: DB21700138EN<br>Version: 00 | Page 1 of 2 |
|---|---------------------------------------|-------------|

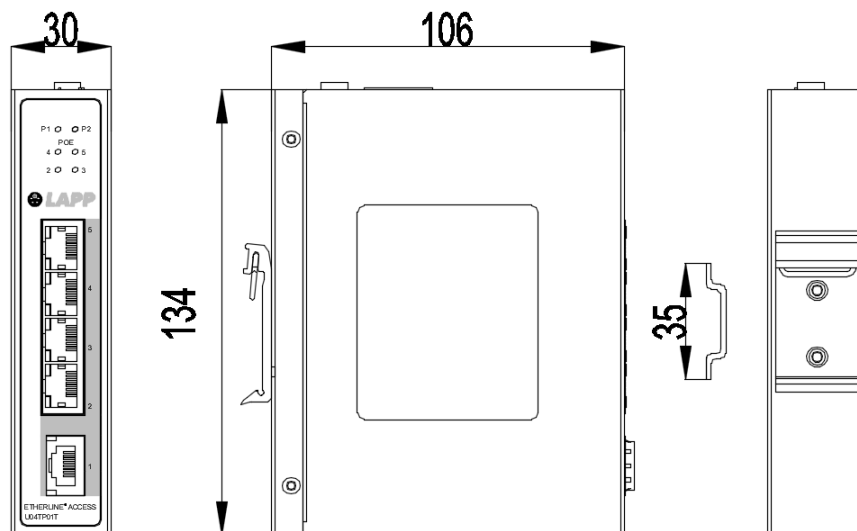
|                           |                                  |   |
|---------------------------|----------------------------------|---|
| 21700138                  | <b>DATA SHEET</b>                |  |
| Valid from:<br>17.06.2020 | <b>ETHERLINE ACCESS U04TP01T</b> |   |

### Physical properties

|              |                   |
|--------------|-------------------|
| Housing      | metal             |
| IP class     | IP30              |
| Weight       | 0.5 kg            |
| Installation | DIN-rail mounting |

### Technical drawing

Dimensional drawing (U04TP01T)



### Standards and approvals

|           |  |
|-----------|--|
| Safety    | UL6 1010 (pending)   |
| EMC       | EN55032/CISPR22 Class A  |
| EMI       | FCC CFR47 Part 15  |
| EMS       | IEC 61000-4-2 ESD: contact: 6kV / air: 8kV<br>IEC 61000-4-3 RS: 80Mhz to 2GHz: 10V/m<br>IEC 61000-4-4 EFT/Burst: Power: 2kV / Signal: 1kV<br>IEC 61000-4-5 Surge: Power: 1kV / Signal: 1kV<br>IEC 61000-4-6 CS: 10V (150 kHz – 80 MHz) |
| Vibration | according IEC 60068-2-6  |
| Shock     | according IEC 60068-2-27   |
| Free fall | according IEC 60068-2-31   |
| Approvals | CE<br>UL (Pending)<br>FCC  |

### Application range

Automation, industrial machinery and plant engineering

### Note

Photographs are not to scale and do not represent detailed images of the respective products.

|   |                                       |             |
|---|---------------------------------------|-------------|
| Creator: FELI1/PDP<br>Released: IVSE1/PDP | Document: DB21700138EN<br>Version: 00 | Page 2 of 2 |
|---|---------------------------------------|-------------|

## X-ON Electronics

Largest Supplier of Electrical and Electronic Components

*Click to view similar products for [Ethernet Modules](#) category:*

*Click to view products by [Lapp Kabel](#) manufacturer:*

Other Similar products are found below :

[TDKEZW3](#) [V23993-USB1029A](#) [100-POE4](#) [X520QDA1](#) [BCM84794A1KFSBG](#) [X520DA2OCP](#) [808-38157](#) [7506GX2](#) [TC EXTENDER 2001](#)  
[ETH-2S](#) [105FX-SC-MDR](#) [110FX2-SC](#) [7000-P3201-P050150](#) [750-451](#) [750-494](#) [750-495](#) [750-501](#) [750-612](#) [750-627](#) [750-643](#) [750-652](#) [750-](#)  
[653/003-000](#) [753-440](#) [753-540](#) [852-1812](#) [852-1813](#) [852-1816](#) [LANTICK PE-0-16](#) [LANTICK PE-16-0](#) [RBMTXLITE-L4X2.X.X.X.X.](#) [EKI-](#)  
[7708E-4F-AE](#) [EKI-7708E-4FP-AE](#) [EKI-7708G-4FP-AE](#) [2352903-2](#) [EKI-2706G-1GFPI-BE](#) [SW-125](#) [7000-74712-4780030](#) [7000-74712-](#)  
[4780060](#) [7000-74712-4780100](#) [7000-74712-4780150](#) [750-331](#) [753-649](#) [852-1200](#) [852-1210](#) [852-1280](#) [PM02TWA](#) [ICR-1601G](#) [BOXER-](#)  
[6641-A1-1110](#) [EKI-7712G-4F-AE](#) [55150](#) [56005](#)