


21700144	<b>DATA SHEET</b>	
Valid from: 27.10.2020	<b>ETHERLINE® ACCESS UF(P*)T</b>	

## Description

- Fast Ethernet Network-Switch (10/100BaseT(X)), unmanaged
- Ports: RJ45
- Space-saving design for DIN rail
- Designed for industrial environment (protection class IP20)
- PROFINET Conformance Class A (only 8/16 port)




## General characteristics

Interfaces	<b>RJ45 Port:</b> 10/100BaseT(X) auto-negotiation, full-/halfduplex-mode and Auto-MDI/MDI-X-connection
Switch properties	<b>MAC-table size:</b> 1 K (UF05-T) 16 K (UF08-T) 2x 16 K (UF16-T) <b>Packet puffer size:</b> 512 Kbit (UF05-T) 2048 Kbit (UF08-T) 2x 2048 Kbit (UF16-T) <b>Protocol:</b> LLDP & PTCP Delay-Traffic Blocking (UF08T & UF16-T) operating temp.: -25°C to +75°C (-13°F to 167°F) storage temp.: -40°C to +85°C (-40°F to 185°F) 5% to 95 % (non-condensing) 2 IEEE 802.3i (10BaseT) IEEE 802.3u (100BaseTX) IEEE 802.3x (Flow control) IEEE 802.1Q (QoS) (UF08-T & UF16-T) Store and Forward 311.418 Std @ MIL-HDBK-217 (UF05T) 260.172 Std @ MIL-HDBK-217 (UF08T) 145.591 Std @ MIL-HDBK-217 (UF16T)
Temperature range	
Relative humidity	
Pollution degree	
Standards	
Processing type	
MTBF (mean time between failures)	

## Variation

Article	Description	Ports (P*) [amount]
21700144	ETHERLINE ACCESS UF05T	05
21700145	ETHERLINE ACCESS UF08T	08
21700146	ETHERLINE ACCESS UF16T	16

Creator: FELI1/PDP Released: IVSE1/PDP	Document: DB21700144EN Version: 03	Page 1 of 3
---	---------------------------------------	-------------

21700144	<b>DATA SHEET</b>	
Valid from: 27.10.2020	<b>ETHERLINE® ACCESS UF(P*)T</b>	

### Power requirements

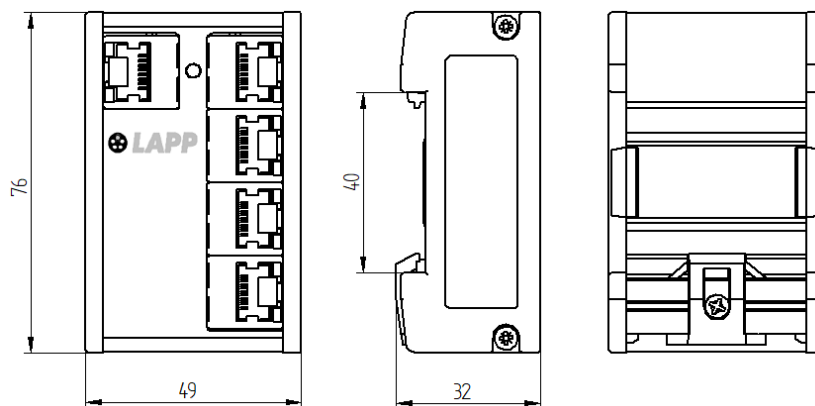
Input voltage	24 V DC (18-30V DC)
Input current (max.) at +24 V DC	60 mA (UF05T) 100 mA (UF08T) 100 mA (UF16T)
Reverse polarity protection	support
Overload voltage protection	support

### Physical properties

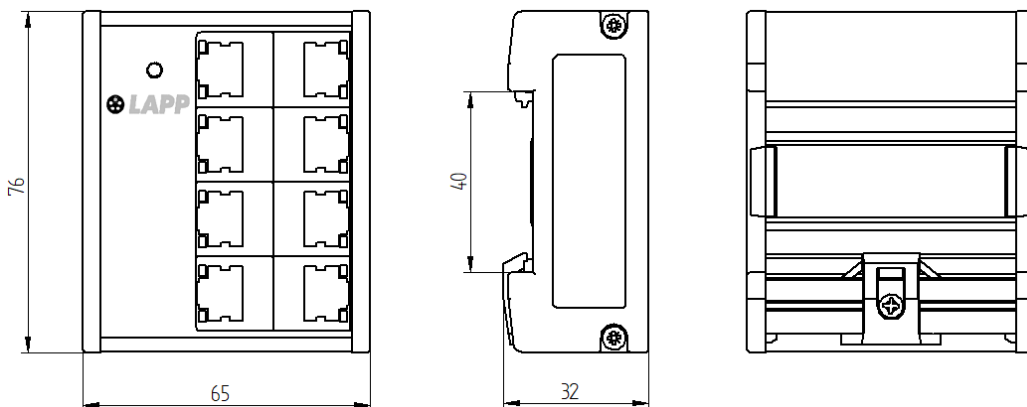
IP class	IP20
Weight	0.11 kg (UF05T) 0.15 kg (UF08T) 0.27kg (UF16T)
Installation	DIN-rail mounting


### Technical drawing

Dimensional drawing (UF05T)

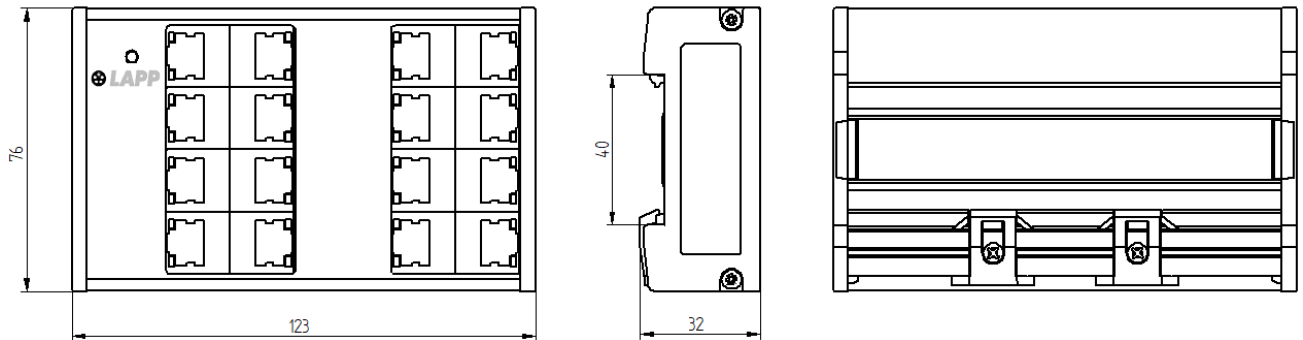


Dimensional drawing (UF08T)



21700144	<b>DATA SHEET</b>	
Valid from: 27.10.2020	<b>ETHERLINE® ACCESS UF(P*)T</b>	

Dimensional drawing (UF16T)



### Standards and approvals

EMC

DIN EN 61000-6-2

Approvals

DIN EN 61000-6-4

CE

PROFINET

UL (E331560)

Conformance Class A (UF08T /UF16T)

### Application range

Automation, industrial machinery and plant engineering

### Note

Photographs are not to scale and do not represent detailed images of the respective products.

Creator: FELI1/PDP Released: IVSE1/PDP	Document: DB21700144EN Version: 03	Page 3 of 3
---	---------------------------------------	-------------

## X-ON Electronics

Largest Supplier of Electrical and Electronic Components

*Click to view similar products for [Controllers](#) category:*

*Click to view products by [Lapp Kabel](#) manufacturer:*

Other Similar products are found below :

[61FGPN8DAC120](#) [CV500SLK21](#) [70177-1011](#) [F03-03 HAS C](#) [F03-31](#) [81550401](#) [H2CAC24A](#) [H2CRSAC110B](#) [R88A-CRGB003CR-E](#)  
[R88ARR080100S](#) [R88A-TK01K](#) [DCN1-1](#) [AFP0RT32CT](#) [DRT2ID08C](#) [DTB4896VRE](#) [DTB9696LVE](#) [E53-AZ01](#) [E53E01](#) [E53E8C](#)  
[E5C4Q40J999FAC120](#) [E5CWLQ1TCAC100240](#) [E5GNQ03PFLKACDC24](#) [B300LKL21](#) [NSCXDC1V3](#) [NSH5-232CW-3M](#)  
[NT20SST122BV1](#) [NV-CN001](#) [OAS-160-N](#) [C40PEDRA](#) [K31S6](#) [K33-L1B](#) [K3MA-F 100-240VAC](#) [K3TX-AD31A](#) [89750101](#) [L595020](#)  
[SRM1-C02](#) [SRS2-1](#) [G32X-V2K](#) [26546803](#) [26546805](#) [PWRA440A](#) [CPM1AETL03CH](#) [CV500SLK11](#) [3G2A5BI081](#) [3G2A5IA122](#)  
[3G2A5LK010E](#) [3G2A5OA223](#) [3G2A5OD211](#) [3G2A5PS223E](#) [3G2A5RM001EV1](#)