

# EL-SGD 43-ATP

Four-Channel Temperature Data Logger with 4.3" Capacitive Touch Display



EL-SGD 43-ATP is a four-channel temperature data logger with real-time readings, trend graphing and data analysis tools.

The EL-SGD 43-ATP is a four-channel temperature data logger based on Lascar's PanelPilotACE platform. The product includes a 4.3" panel mounted display module with capacitive touch screen, a four-channel thermistor temperature board and compatible temperature probes. The user interface comprises an advanced logging application which shows real-time readings for up to four temperature channels, live trend graphs and access to a suite of real-time data analysis information.

The logger can store up to 100,000 readings per channel at sample rates from 5 seconds up to 12 hours. Data can be downloaded via USB using Lascar's free Device Utility software, which is available from [www.lascarelectronics.com/software/panelpilotace](http://www.lascarelectronics.com/software/panelpilotace).

For advanced users, the interface can be extensively customised using Lascar's free drag-and-drop PanelPilotACE Design Studio software.

Each EL-SGD 43-ATP includes:

- 4.3" PanelPilotACE display with mounting kit (SGD 43-A)
- Four-channel thermistor add-on board (S43-TP)
- 4 x 1m thermistor probe with 3.5mm plug (EL-PROBE2-1.0M-TP)
- Mini USB cable (CABLE USB A-MF)

## Specifications

Supplied probe measurement range	-40°C to +125°C (-40°F to +257°F)
Internal Resolution	0.01°C (0.01°F)
Temperature Accuracy	±1.0°C (±1.8°F)*
Number of Readings (per channel)	100,000
Logging Rate	5 seconds to 12 hours
Number of Channels	Up to 4
Outside Dimensions	119.3 x 79.8 x 31.3 mm (4.7 x 3.1 x 1.2 in)
Communications Protocols	USB

\* Between -5°C and 40°C without offset calibration. Between -40°C and +125°C with offset calibration applied.

# EL-SGD 43-ATP

Four-Channel Temperature Data Logger with 4.3" Capacitive Touch Display



## Operating Modes

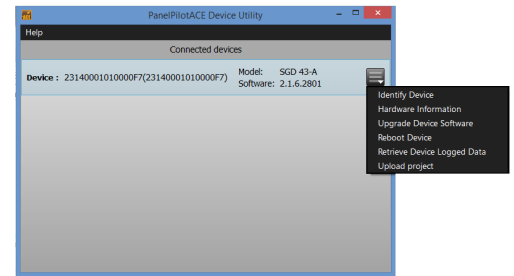
The EL-SGD 43-ATP can be configured for one, two, three or four channel temperature data logging in either celsius or fahrenheit.

Function	3.5mm SKT	Configuration
Channel 1	NTC1	1, 2, 3 or 4 channel operation
Channel 2	NTC2	2, 3 or 4 channel operation
Channel 3	NTC3	3 or 4 channel operation
Channel 4	NTC4	4 channel operation only

## Software

### Device Utility

Data download, device updates and programming of the module is completed using the free Device Utility software available from [www.lascarelectronics.com/software/panelpilotace](http://www.lascarelectronics.com/software/panelpilotace). Data is downloaded in comma separated variable format which can be imported into spreadsheet packages for graphing and further analysis.

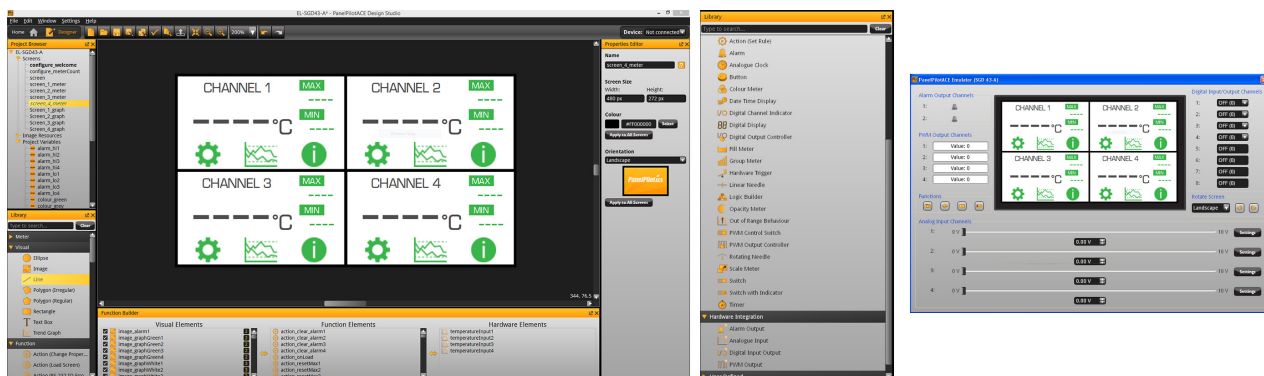


### Retrieving Logged Data

The EL-SGD 43-ATP is configured as a USB slave. To retrieve logged data, connect a PC or laptop to the USB connector on the rear of the unit and use the Device Utility software to select and extract logs as .txt files.

### Design Studio Software

The PanelPilotACE Design Studio software provides tools for advanced users who wish to fully customise the data logging functionality of the module. Visit [www.lascarelectronics.com/software/panelpilotace](http://www.lascarelectronics.com/software/panelpilotace) or [www.youtube.com/panelpilot](http://www.youtube.com/panelpilot) for further information including learning materials on getting started with this powerful drag-and-drop software suite.



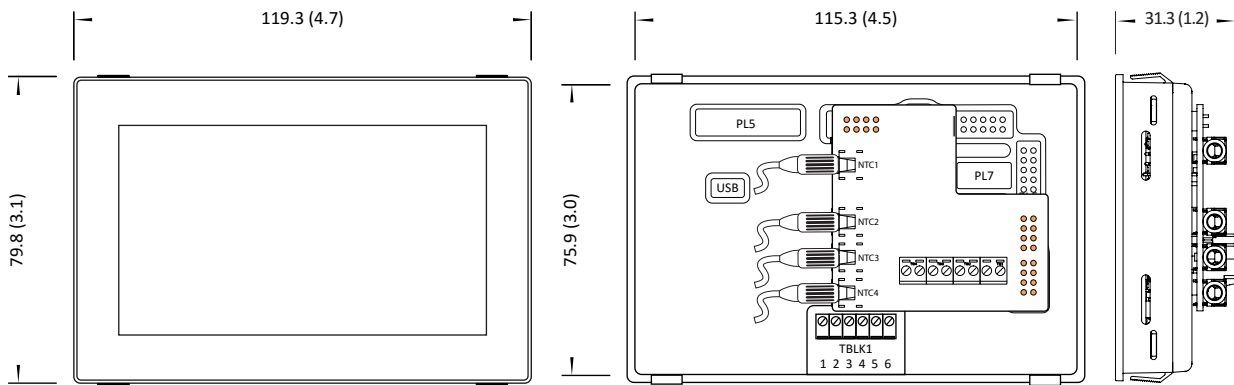
# EL-SGD 43-ATP

Four-Channel Temperature Data Logger with 4.3" Capacitive Touch Display



## Dimensions and Mounting

All dimensions are in mm (in)



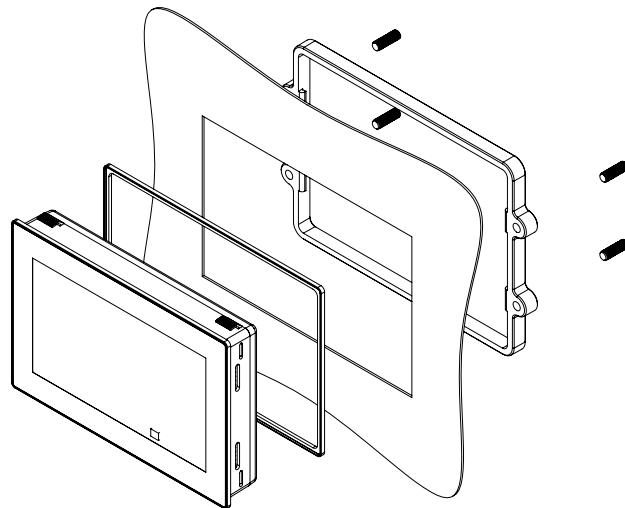
The orange colour pins on the rear elevation (above-middle) show the correct location for the S43-TP temperature board.

## Panel Cut-Out and Fitting

The panel cut-out is 117.0 x 78.0mm (4.6" x 3.07"). There are two mounting methods:

The first uses clips that protrude from the plastic assembly and is suitable for panels between 1 and 3mm (0.04" and 0.12") in thickness.

The second method uses a rear mounting plastic bracket featuring grub screws for a more secure and adaptable fit. This second mounting method is suitable for panels between 0.5 and 4.0mm (0.01" and 0.15") in thickness.



## X-ON Electronics

Largest Supplier of Electrical and Electronic Components

*Click to view similar products for [Environmental Test Equipment](#) category:*

*Click to view products by [Lascar](#) manufacturer:*

Other Similar products are found below :

[CW40](#) [F150C10E3DRT](#) [F150LTC20](#) [F150CD10E2](#) [F150L75](#) [F150LRS](#) [S-11](#) [FLUKE-LDG](#) [382153](#) [FM100](#) [RH210](#) [382253](#) [MO290-P](#)  
[GEO-CABLE-REEL-50M](#) [T197914](#) [RD300-L](#) [IR11BD](#) [IR11GM](#) [IR12GM](#) [IR21BD](#) [IR31CE](#) [IR32BC](#) [IR33BC](#) [MP7217TC](#) [NGM-1](#) [SGX-](#)  
[7NH3](#) [UT381](#) [F150-SLC50](#) [AW-CO-1000](#) [AW-NmHc-100](#) [3.000.401](#) [AX-7535](#) [CS-9S6SS-A](#) [P 2800 A](#) [P 2801](#) [P 2802](#) [P 5039](#) [P 5130](#) [P](#)  
[5055](#) [P 5060](#) [P 5065](#) [P 5086](#) [P 5090](#) [P 5110](#) [P 5115](#) [P 5135](#) [P 5140](#) [P 5145](#) [P 5150](#) [P 5160](#)