

Arima Laser Diode Product Lineup

Peak Wavelength (nm)	Model No.	CW Light Output Power Po (mW)	Max Operation Case Temp. Tc (°C)	TO-Can Package Diameter (mm)	Pin Configuration
635	ADL-63054SL	5	50	3.3	LDA=PDC
	ADL-63054TL	5	50	5.6	LDA=PDC
	ADL-6305DTU	5	50	5.6	LDC=PDA
	ADL-6305ETL	5	40	5.6	LDA=PDC
	ADL-6305ETU	5	40	5.6	LDC=PDA
	ADL-6305FTL	5	40	5.6	LDA=PDC
	ADL-63058TL	5	40	5.6	LDA=PDC
	ADL-63059TU	5	50	5.6	LDC=PDA
	ADL-63102TL-3	10	50	5.6	LDA=PDC
	ADL-63104TL	10	50	5.6	LDA=PDC
	ADL-63153TL	15	50	5.6	LDA=PDC
	ADL-63153TU	15	50	5.6	LDC=PDA
	ADL-63203TL	20	40	5.6	LDA=PDC
	ADL-63301TL	30	40	5.6	LDA=PDC
	ADL-63302TL	30	50	5.6	LDA=PDC
	ADL-63501TL	50	50	5.6	LDC=PDA
	ADL-63V0BTP	500	30	5.6	LD-only
	ADL-63V0ANP	500	30	9.0	LD-only
	ADL-63T01NP	700	30	9.0	LD-only
	ADL-63T01NY	700	30	9.0	LD-only
ADL-63Q42PZ	4000		25	cs-mount	LD-only

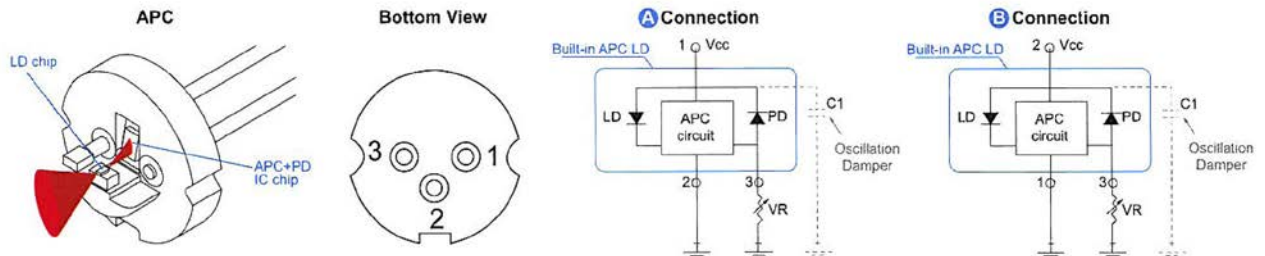
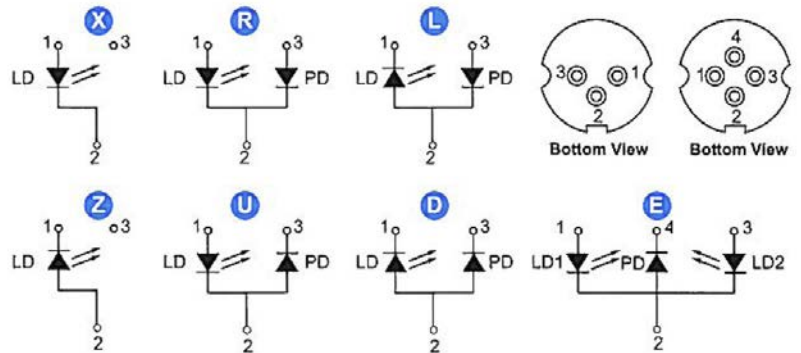
Peak Wavelength (nm)	Model No.	CW Light Output Power Po (mW)	Max Operation Case Temp. Tc (°C)	TO-Can Package Diameter (mm)	Pin Configuration
650	ADL-65052SL	5	50	5.6	LDA=PDC
	ADL-65052TL	5	50	5.6	LDA=PDC
	ADL-65053TL-2	5	70	5.6	LDA=PDC
	ADL-65055TL	5	50	5.6	LDA=PDC
	ADA-65074TL	7	85	5.6	LDA=PDC
	ADL-65074TL	7	85	5.6	LDA=PDC
	ADL-65074TL-1	7	85	5.6	LDA=PDC
	ADL-65074TR	7	85	5.6	LDC=PDC
	ADL-65074TU-1	7	85	5.6	LDC=PDA
	ADL-65075SL	7	70	3.3	LDA=PDC
	ADL-65075SR	7	70	3.3	LDC=PDC
	ADL-65075TL	7	70	5.6	LDA=PDC
	ADL-65075TU-1	7	70	5.6	LDC=PDA
	ADL-65077SR	7	70	3.3	LDC=PDC
	ADL-65077SU	7	70	3.3	LDC=PDA
	ADL-65078TU-1	5	70	5.6	LDC=PDA
	ADL-65103TL	10	50	5.6	LDA=PDC
	ADL-65104TL	10	70	5.6	LDA=PDC
660	ADL-66201TL	20	60	5.6	LDA=PDC
	ADL-66505TL	50	60	5.6	LDA=PDC
	ADL-66505TU	50	60	5.6	LDC=PDA
	ADL-66801DL	80	60	5.6	LDA=PDC
	ADL-66801DU	80	60	5.6	LDC=PDA
785	ADL-78051TL	5	60	5.6	LDA=PDC
	ADL-78051TR	5	60	5.6	LDC=PDC
	ADL-78101TL	10	60	5.6	LDC=PDC

Peak Wavelength (nm)	Model No.	CW Light Output Power Po (mW)	Max Operation Case Temp. Tc (°C)	TO-Can Package Diameter (mm)	Pin Configuration
808	ADL-80X01TZ	300	50	5.6	LD-only
	ADL-80V03TL	500	50	5.6	LDA=PDC
	ADL-80Q11TZ	1000	50	5.6	LD-only
	ADL-80Q11NY	1000	50	5.6	LD-only
	ADL-80Q21NY	2000	50	9.0	LD-only
830	ADL-83Z01TL	100	60	5.6	LDA=PDC
	ADL-83Z51TL	150	60	5.6	LDA=PDC
	ADL-83Z51TL-1	150	60	5.6	LDA=PDC
	ADL-83Y01TL	200	60	5.6	LDA=PDC
	ADL-83Y51Y-F1	250	60	COB	LD-only
	ADL-83Y51TL	250	60	5.6	LDA=PDC
	ADL-83Q21NY	2000	50	9.0	LD-only
850	ADL-85051SL	5	50	3.3	LDA=PDC
	ADL-85051TL	5	50	5.6	LDA=PDC
	ADL-85301TL	30	50	5.6	LDA=PDC
	ADL-85501TL	50	50	5.6	LDA=PDC
	ADL-85Y51Y-F1	250	60	COB	LD-only
	ADL-85Y51TL	250	60	5.6	LDA=PDC
940	ADL-94Y01EY-F2	200	60	COB	LD-only
	ADL-94Y01IY-F1	200	60	COB	LD-only
	ADL-94Y01TL	200	60	5.6	LDA=PDC
	ADL-94Y01TZ	200	60	5.6	LD-only
	ADL-94Y02IY-F1	200	60	COB	LD-only
	ADL-94V01IY-V1	500	60	COB	LD-only

Package Type

- T: 5.6 mm TO-Can
- G: 5.6 mm TO w/o window glass
- H: 5.6 mm, 2.7 mm tail TO-Can
- S: 3.3 mm, TO-Can
- F: Lead Frame
- C: C mount/CT mount
- V: TO-46
- L: Lamp
- M: 5.6 mm 4 pin TO-Can

Pin Connection



Peak Wavelength (nm)	Model No.	CW Light Output Power P_o (mW)	Max Operation Case Temp. T_c (°C)	TO-Can Package Diameter (mm)	Pin Configuration
635	ADL-63054SA4	5	50	3.3	APC
	ADL-63054TA4	5	50	5.6	APC
	ADL-63054TM	5	50	5.6	APC
	ADL-63054TW	5	50	5.6	APC
	ADL-63104TM	10	50	5.6	APC
	ADL-63104TW	10	50	5.6	APC
	ADL-63153TA4	15	50	5.6	APC
	ADL-63203TA4	20	40	5.6	APC
	ADL-63221TM	22	40	5.6	APC
	ADL-63221TW	22	40	5.6	APC
	ADL-63301TM	30	50	5.6	APC
	ADL-63301TW	30	50	5.6	APC

Peak Wavelength (nm)	Model No.	CW Light Output Power Po (mW)	Max Operation Case Temp. Tc (°C)	TO-Can Package Diameter (mm)	Pin Configuration
650	ADL-65052SA4	5	50	3.3	APC
	ADL-65052SM	5	50	3.3	APC
	ADL-65052SW	5	50	3.3	APC
	ADL-65052TA4	5	50	5.6	APC
	ADL-65055GA4	5	50	5.6	APC
	ADL-65055SA4	5	50	3.3	APC
	ADL-65055TA4	5	50	5.6	APC
	ADL-65074TA4	7	85	5.6	APC
	ADL-65074TM	7	85	5.6	APC
	ADL-65074TW	7	85	5.6	APC
	ADL-65075SA4	7	70	3.3	APC
	ADL-65075SM	7	70	3.3	APC
	ADL-65075SW	7	70	3.3	APC
	ADL-65075TA4	7	70	5.6	APC
	ADL-65075TW	7	70	5.6	APC
	ADL-65076TA4	7	60	5.6	APC
	ADL-65103TA4	10	50	5.6	APC
	ADL-65104TA4	10	70	5.6	APC
660	ADL-66201TA4	20	60	5.6	APC
	ADL-66201TM	20	60	5.6	APC
	ADL-66201TW	20	60	5.6	APC
	ADL-66505TM	50	60	5.6	APC
	ADL-66505TW	50	60	5.6	APC
850	ADL-85051TA4	5	50	5.6	APC

X-ON Electronics

Largest Supplier of Electrical and Electronic Components

Click to view similar products for [Laser Diodes](#) category:

Click to view products by [Laser Components](#) manufacturer:

Other Similar products are found below :

[PLT5 520EA P](#) [PLT3 520D](#) [ADL-65055TL](#) [ADL-66801TL](#) [ADL-83Z01TL](#) [ADL-85301TL](#) [ADL-85501TL](#) [LCU80B051A](#) [RLD78NZM5-00A](#) [ADL-65075SR](#) [ADL-65075TU-1](#) [905D1S3JT09UA](#) [LCU653056AP](#) [LCU66A051AP](#) [LCU80E052AP](#) [LCU80E053A](#) [LCU831061AP](#) [LCU85C061AP](#) [LCU881061AP](#) [LCU98B043AP](#) [LCU98C041AP](#) [PLT5 450B](#) [ADL-63054TL](#) [ADL-63102TL-3](#) [ADL-63153TL](#) [ADL-65103TL](#) [ADL-66201TL](#) [PLT5 510](#) [LCU66A051A](#) [SPL LL90_3](#) [ADL-65075TL](#) [905D1S09UA](#) [905D1S3JT03UA](#) [ADL-63054SL](#) [ADL-63301TL](#) [ADL-63T01NY](#) [ADL-63V0ANP](#) [ADL-65074TA4](#) [ADL-65074TL-1](#) [ADL-65075SL](#) [ADL-65075TA4](#) [ADL-65104TA4](#) [ADL-65104TL](#) [ADL-66201TA4](#) [ADL-66505TL](#) [ADL-78051TL](#) [ADL-83Z51TL](#) [ADL-85051TL](#) [LCU632051A](#) [LCU670561A](#)