

## AlGaInP | Visible Laser Diode

### ADL-65075TU-1

#### 650nm 7mW 70°C Reliable Operation

##### Features

High Output Power : 7mW CW  
Small Package :  $\Phi 5.6\text{mm}$   
TE mode  
Single Transverse/Longitudinal Mode

##### Applications

Construction Tools  
High Definition Laser Displays  
Medical Applications

##### Absolute maximum ratings

Parameter	Symbol	Condition	Rating	Unit
Light output power	$P_O$	CW	10	mW
Reverse voltage (LD)	$V_{RL}$	-	2	V
Reverse voltage (PD)	$V_{RD}$	-	30	V
Forward current (PD)	$I_{FD}$	-	10	mA
Case temperature	$T_C$	-	-20~+70	°C
Storage temperature	$T_S$	-	-40~+85	°C

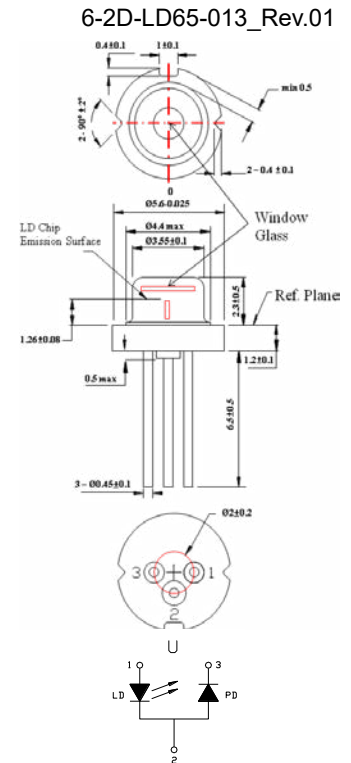
##### Electrical and optical characteristics ( $T_c=25^\circ\text{C}$ )

Parameter	Symbol	Min.	Typ.	Max.	Unit	Conditions
Peak wavelength	$\lambda$	645	655	660	nm	$P_o=7\text{ mW}$
Threshold current	$I_{th}$	-	18	25	mA	
Operating current	$I_{op}$	-	26	30	mA	$P_o=7\text{ mW}$
Operating voltage	$V_{op}$	-	2.2	2.5	V	$P_o=7\text{ mW}$
Differential efficiency	$\eta$	0.7	1.0	1.2	mW/mA	$P_o=3\text{-}5\text{mW}$
Monitor current	$I_m$	0.1	0.13	0.2	mA	$P_o=7\text{mW}, V_{RD}=5\text{V}$
Parallel divergence angle	$\theta_{//}$	6	9	12	deg.	$P_o=7\text{ mW}$
Perpendicular divergence angle	$\theta_{\perp}$	25	28	32	deg.	
Parallel FFP deviation angle	$\Delta\theta_{//}$	-2	0	+2	deg.	
Perpendicular FFP deviation angle	$\Delta\theta_{\perp}$	-2	0	+2	deg.	
Emission point accuracy	$\Delta x\Delta y\Delta z$	-80	0	+80	um	

##### • Precautions

- \* Do not operate the device above maximum ratings. Doing so may cause unexpected and permanent damage to the device.
- \* Take precautions to avoid electrostatic discharge and/or momentary power spikes. A change in the characteristics of the laser or premature failure may result.
- \* Proper heat sinking of the device assures stability and lifetime. Always ensure that maximum operating temperatures are not exceeded.
- \* Observing visible or invisible laser beams with the human eye directly, or indirectly, can cause permanent damage. Use a camera to observe the laser.
- \* No laser device should be used in any application or situation where life or property is at risk in event of device failure.
- \* Specifications are subject to change without notice. Ensure that you have the latest specification by contacting us prior to purchase or use of the product.

For reference only. Contents above are subject to change without notice.

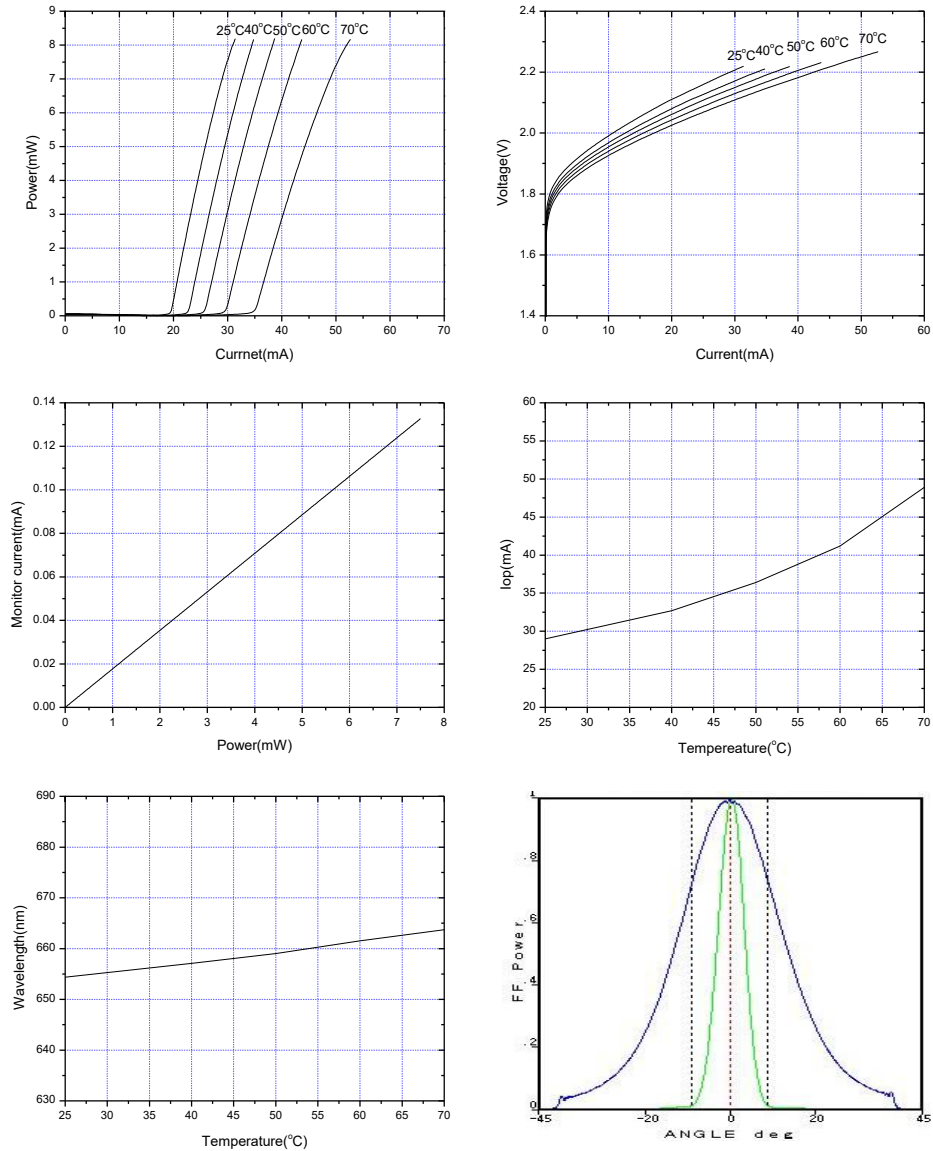


# AlGaInP | Visible Laser Diode

## ADL-65075TU-1

6-2D-LD65-013\_Rev.01

### 650nm 7mW 70°C Reliable Operation



For reference only. Contents above are subject to change without notice.

## X-ON Electronics

Largest Supplier of Electrical and Electronic Components

*Click to view similar products for [Laser Diodes](#) category:*

*Click to view products by [Laser Components](#) manufacturer:*

Other Similar products are found below :

[PLT5 520EA P](#) [PLT3 520D](#) [ADL-65055TL](#) [ADL-66801TL](#) [ADL-83Z01TL](#) [ADL-85301TL](#) [ADL-85501TL](#) [LCU80B051A](#) [RLD78NZM5-00A](#) [ADL-65075SR](#) [ADL-65075TU-1](#) [905D1S3JT09UA](#) [LCU653056AP](#) [LCU66A051AP](#) [LCU80E052AP](#) [LCU80E053A](#) [LCU831061AP](#) [LCU85C061AP](#) [LCU881061AP](#) [LCU98B043AP](#) [LCU98C041AP](#) [PLT5 450B](#) [ADL-63054TL](#) [ADL-63102TL-3](#) [ADL-63153TL](#) [ADL-65103TL](#) [ADL-66201TL](#) [PLT5 510](#) [LCU66A051A](#) [SPL LL90\\_3](#) [ADL-65075TL](#) [905D1S09UA](#) [905D1S3JT03UA](#) [ADL-63054SL](#) [ADL-63301TL](#) [ADL-63T01NY](#) [ADL-63V0ANP](#) [ADL-65074TA4](#) [ADL-65074TL-1](#) [ADL-65075SL](#) [ADL-65075TA4](#) [ADL-65104TA4](#) [ADL-65104TL](#) [ADL-66201TA4](#) [ADL-66505TL](#) [ADL-78051TL](#) [ADL-83Z51TL](#) [ADL-85051TL](#) [LCU632051A](#) [LCU670561A](#)