

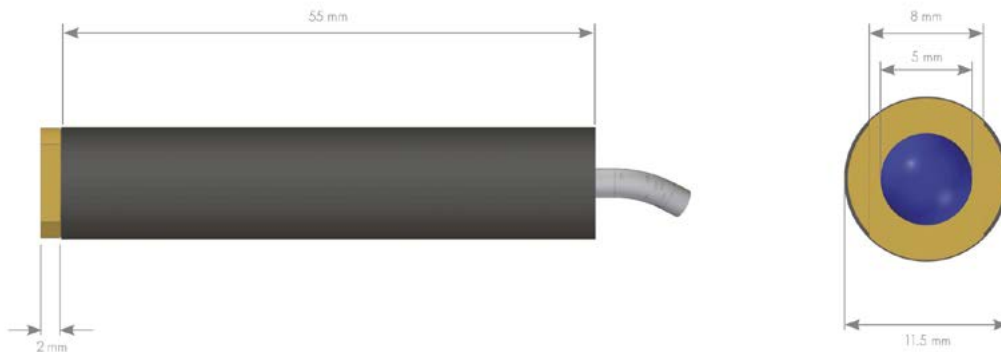
FLEXPOINT® Laser Modules for Operating Temperatures from -10 °C to 85 °C T85 Series

The T85 series laser modules were specifically developed for higher operating temperatures. In addition to the incorporation of a special laser diode as well as a glass lens, the electronics were also particularly adjusted. The module generates a circular beam which, thanks to the adjustable optics, can be either focussed or collimated. There are two different levels of output power available.

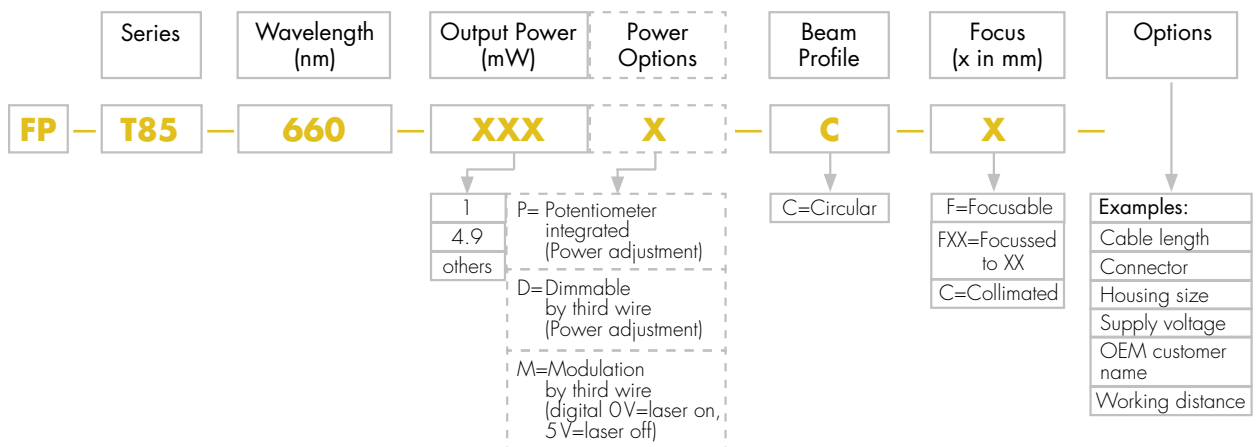


Specifications

Wavelength	655 nm @ 25 °C / 668 nm @ 85 °C	
Output power	1 mW	4.9 mW
Laser class	2	3R
Power stability	< 8%	
Beam profile	circular, focusable	
Optics	glass lens	
Beam divergence	approx. 0.2 mrad	
Pointing stability	< 50 µrad/°C	
Bore sighting	< 0.5 °	
Supply voltage	4.5 – 6 VDC (optional 4.5 – 30 VDC)	
Power consumption	approx. 50 mA @ 5 VDC	
Operating temperature	-10 °C to +85 °C	
Calculated MTF @ 85 °C	> 30,000 hours	
Housing	Aluminum, black anodized	
Dimensions	57 mm x 11.5 mm, see drawing	



Ordering Code FLEXPOINT® T85 Series



Standard Modules

FP-T85-660-1-C-F	(1 mW, circular beam, focusable)
FP-T85-660-4.9-C-F	(4.9 mW, circular beam, focusable)

X-ON Electronics

Largest Supplier of Electrical and Electronic Components

Click to view similar products for [Laser Components manufacturer](#):

Other Similar products are found below :

[2008361](#) [2008364](#) [2008368](#) [2008401](#) [2011658](#) [2014289](#) [2014292](#) [2014293](#) [905D1S09UA](#) [905D1S3JT03UA](#) [905D1S3JT09UA](#) [ADL-63054SL](#) [ADL-63054TL](#) [ADL-63102TL-3](#) [ADL-63153TL](#) [ADL-63301TL](#) [ADL-63T01NY](#) [ADL-63V0ANP](#) [ADL-65055TL](#) [ADL-65074TA4](#) [ADL-65074TL-1](#) [ADL-65075SL](#) [ADL-65075SR](#) [ADL-65075TA4](#) [ADL-65075TL](#) [ADL-65075TU-1](#) [ADL-65103TL](#) [ADL-65104TA4](#) [ADL-65104TL](#) [ADL-66201TA4](#) [ADL-66201TL](#) [ADL-66505TL](#) [ADL-66801TL](#) [ADL-78051TL](#) [ADL-83Z01TL](#) [ADL-83Z51TL](#) [ADL-85051TL](#) [ADL-85301TL](#) [ADL-85501TL](#) [CAW100](#) [CAX100](#) [CAX183](#) [CAY033](#) [CAY033/40](#) [CAY046](#) [CAY046/55](#) [FP-D-405-16-E-F](#) [FP-D-405-5-C-F](#) [FP-D-520-10-C-F](#) [FP-D-520-1-C-F](#)