

Industrial Laser Modules ILM12F Series

Now with adjustable focus

The ILM12F laser modules are the next generation of our previous ILM12 series. The lasers were specifically developed for industrial positioning and alignment applications. Thanks to their M12x1 external thread, these lasers, which come in industrial housings made of stainless steel, are easy to integrate. All lasers come with an adjustable focus to generate a crisp and thin line at the desired working distance.

The ILM12F laser modules project either dots, lines, or cross hairs at 520 nm (green) or 635nm (bright red).



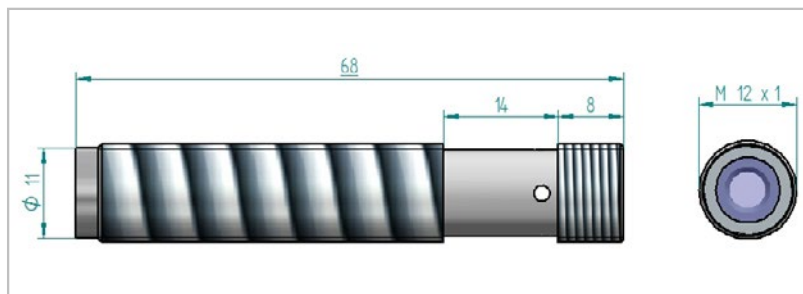
Connector and cable not included

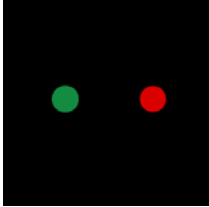

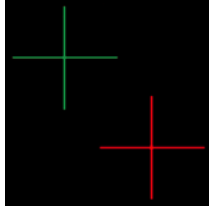
Characteristics

- Dot laser
- Line laser
- Cross-hair laser
- 520 nm (green) or 635 nm (bright red)
- 4.5/10 – 30 VDC supply voltage
- M12 industrial housing and connector
- Lasers with laser class 1, 1M, 2 and 2M available (no laser safety eyewear necessary)

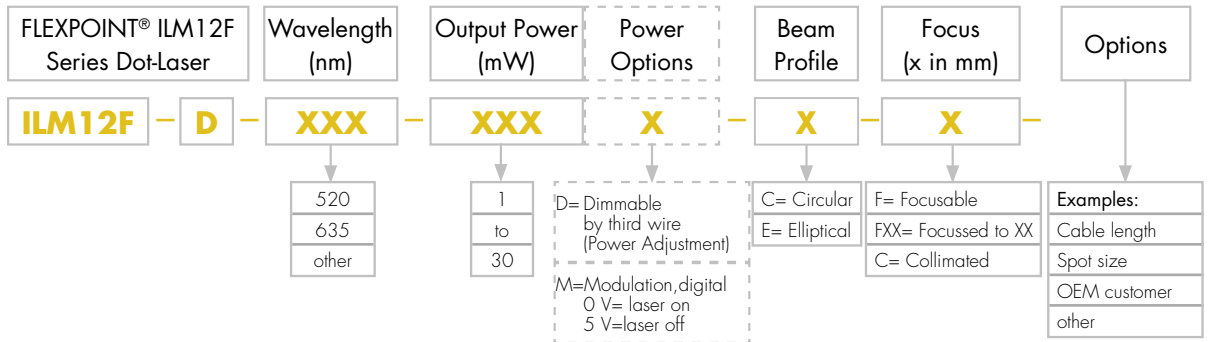
Applications

- Positioning tasks
- Timber industry
- Metal industry
- Textile industry
- Image processing
- Automotive industry

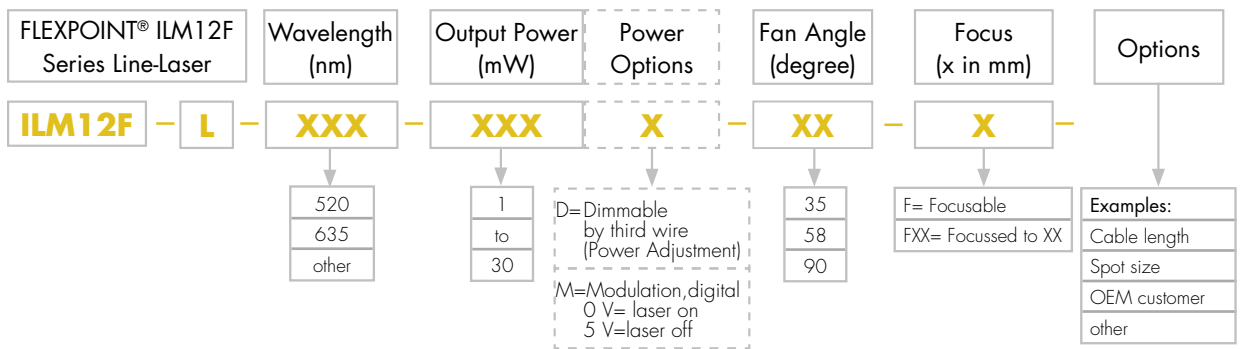


	Dot laser	Line laser	Crosshair laser
Model	ILM12F-D 	ILM12F-L 	ILM12F-DOE 
Wavelength	520 nm (bright green) / 635 nm (bright red)		
Output power	<1 – 30 mW		
Modulation (option)	digital, up to 10 kHz (active low, higher frequencies on request)		
Power adjustment (option)	by control voltage 0 – 5 V (active low)		
Focussing range	0.1 - 10 m		
Beam pointing error	<5 mrad		
Pointing stability	10 µrad/°C		
Operating voltage	10 - 30 VDC (520 nm) / 4.5 - 30 VDC (635 nm)		
Operating temperature	0° up to 50°C		
Storage temperature	-10° up to +60 °C		
Housing	Stainless steel with thread M12x1, potential free		
Dimensions	68 mm x M12 (see drawing)		
Protection class	IP 54		
Connector	M12, 4 Pins (Pin 1 +, Pin 3 -)		
Accessories	Connector with 2/5/10 m cable, universal power supply, battery pack		

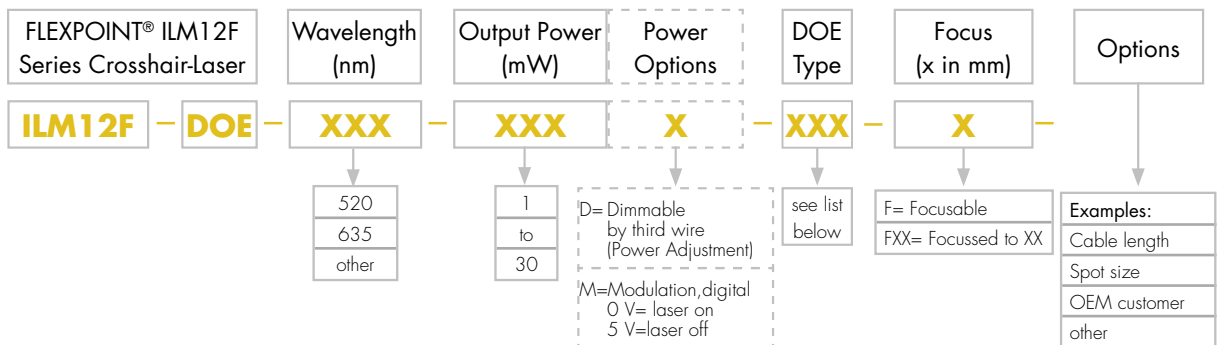
Ordering Code FLEXPOINT® ILM12F Series Dot Lasers



Ordering Code FLEXPOINT® ILM12F Series Line Lasers




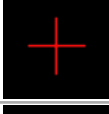


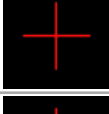
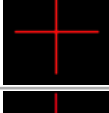
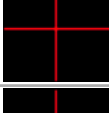



Ordering Code FLEXPOINT® ILM12F Series Crosshair Lasers



Crosshair



DOE Item #	Description	Pattern Size @ 100 mm Distance		Pattern Angles (@ 635 nm)	Image
		a	α	α	
DOE-214	Cross - 2	3.5 mm		2°	
DOE-205	Cross - 5 635 - 660 nm	9 mm		5°	
DOE-239	Cross - 5 520 nm	10.5 mm		5°	
DOE-218	Cross - 15	26 mm		15°	
DOE-245	Cross - 10	17.6 mm		10°	
DOE-247	Cross - 25	44 mm		25°	
DOE-270	Cross - 30	53 mm		30°	
DOE-248	Cross - 37	66 mm		37°	
DOE-249	Cross - 45	83 mm		45°	
DOE-280	Cross - 60	116 mm		60°	

Accessories for ILM12F Lasers

LT-PLM-PS-12: Universal power supply for 100-240 Volts AC

This Power Supply can be used worldwide with all laser modules having a M12 connector. It is not to be used with other equipment than specified.

LT-PLM-PS-12 Power Supply

Content of Delivery	Power Supply, 4x plug adapter (Europe, UK, USA, Japan)
Operating Voltage	100-240 VAC / 50-60 Hz
Output Voltage	12 VDC
Output Current	300 mA
Cable Length	1.8 m
Connector	M12 female (Pin 1: + / Pin 3: GND)
Operating Temperature	-20°C to + 60°C



LT-PLM-AP-10: Battery pack for mobile applications

This battery pack power supply can be used in mobile applications with all laser modules having a M12 connector. It is not to be used with other equipment than specified. The battery pack and the Charger are designed for indoor use only.

LT-PLM-AP- battery pack

Content of Delivery	Battery pack, charger with 4x plug adapter (Europe, UK, USA, Japan), M12 cable
Input Voltage	100 - 240 VAC / 50 - 60 Hz
Output Voltage	10 VDC
Capacity	800 mAh
Operating Temperature	-20°C to + 60°C
Connector	M12 (Pin 1: + / Pin 3: GND)
Cable Length	2 m
Dimensions	80 mm x 75 mm x 30 mm



X-ON Electronics

Largest Supplier of Electrical and Electronic Components

Click to view similar products for [Laser Components manufacturer](#):

Other Similar products are found below :

[2008361](#) [2008364](#) [2008368](#) [2008401](#) [2011658](#) [2014289](#) [2014292](#) [2014293](#) [905D1S09UA](#) [905D1S3JT03UA](#) [905D1S3JT09UA](#) [ADL-63054SL](#) [ADL-63054TL](#) [ADL-63102TL-3](#) [ADL-63153TL](#) [ADL-63301TL](#) [ADL-63T01NY](#) [ADL-63V0ANP](#) [ADL-65055TL](#) [ADL-65074TA4](#) [ADL-65074TL-1](#) [ADL-65075SL](#) [ADL-65075SR](#) [ADL-65075TA4](#) [ADL-65075TL](#) [ADL-65075TU-1](#) [ADL-65103TL](#) [ADL-65104TA4](#) [ADL-65104TL](#) [ADL-66201TA4](#) [ADL-66201TL](#) [ADL-66505TL](#) [ADL-66801TL](#) [ADL-78051TL](#) [ADL-83Z01TL](#) [ADL-83Z51TL](#) [ADL-85051TL](#) [ADL-85301TL](#) [ADL-85501TL](#) [CAW100](#) [CAX100](#) [CAX183](#) [CAY033](#) [CAY033/40](#) [CAY046](#) [CAY046/55](#) [FP-D-405-16-E-F](#) [FP-D-405-5-C-F](#) [FP-D-520-10-C-F](#) [FP-D-520-1-C-F](#)