



## **CPRI IP Core**

## **User Guide**

FPGA-IPUG-02029 Version 2.8

July 2017

## Contents

1. Introduction .....	4
1.1. Quick Facts .....	5
1.2. Features.....	6
2. Functional Description.....	8
2.1. Block Diagram.....	8
2.2. General Description.....	9
2.3. Functional Overview.....	12
2.4. Signal Descriptions .....	13
2.5. Timing Specifications.....	16
2.6. CPRI Overview .....	16
2.7. Interfaces.....	19
2.7.1. User Plane IQ Data Interface .....	19
2.7.2. Ethernet Interface .....	21
2.7.3. HDLC Interface.....	23
2.7.4. L1 Inband Protocol Interface .....	24
2.7.5. Vendor Specific Information.....	24
2.7.6. Start-up Sequence .....	25
3. Parameter Settings .....	26
3.1. CPRI Configuration Dialog Box .....	26
3.1.1. Generation Options .....	28
3.1.2. Eval Configuration .....	28
3.2. Programmable Parameters .....	28
4. IP Core Generation .....	29
4.1. Licensing the IP Core .....	29
4.2. Getting Started .....	29
4.3. IPexpress-Created Files and Top Level Directory Structure .....	32
4.4. Instantiating the Core.....	35
4.5. Running Functional Simulation .....	36
4.5.1. Using Aldec Active-HDL .....	36
4.5.2. Using Mentor Graphics ModelSim .....	36
4.6. Synthesizing and Implementing the Core in a Top-Level Design .....	37
4.7. Hardware Evaluation.....	37
4.7.1. Enabling Hardware Evaluation in Diamond.....	37
4.8. Updating/Regenerating the IP Core .....	38
4.8.1. Regenerating an IP Core in IPexpress Tool .....	38
4.8.2. Regenerating an IP Core in Clarity Designer Tool.....	38
5. Application Support .....	40
5.1. CPRI IP Top-Level Reference Design.....	40
5.1.1. Test Bench .....	40
5.1.2. Register Descriptions.....	41
References .....	46
Technical Support Assistance .....	46
Appendix A. Resource Utilization .....	47
LatticeECP3-FPGAs .....	47
ECP5 FPGAs (for 3G Version) .....	47
ECP5 FPGAs (for 5G Version) .....	47
Revision History .....	48

## Figures

Figure 2.1. CPRI IP Logic Core Block Diagram .....	8
Figure 2.2. CPRI IP Core System Block Diagram in LatticeECP3 .....	9
Figure 2.3. CPRI IP Core System Block Diagram in ECP5 LFE5UM.....	10
Figure 2.4. Top-Level Template Included with CPRI IP Core .....	11
Figure 2.5. CPRI Protocol Overview .....	17
Figure 2.6. CPRI Frame (Shown for 614.4 Mbps, 1228.8 Mbps, 2457.6 Mbps, and 3072 Mbps Line Rates).....	17
Figure 2.7. CPRI Frame (Shown for 614.4 Mbps, 1228.8 Mbps, 2457.6 Mbps, and 3072 Mbps Line Rates).....	18
Figure 2.8. Tx User IQ Interface Sync Pulse Alignment .....	19
Figure 2.9. Rx IQ Interface Data and Frame Number Alignment .....	20
Figure 2.10. Ethernet C&M Interface .....	21
Figure 2.11. Matched Rate MII CPRI Ethernet Interface .....	22
Figure 2.12. 100 Mbps Fixed Rate MII CPRI Ethernet Interface .....	23
Figure 2.13. HDLC C&M Interface .....	23
Figure 2.14. Timing for Vendor-Specific Information Interface .....	25
Figure 3.1. CPRI Configuration Dialog Box .....	26
Figure 3.2. CPRI PCS Configuration Dialog Box .....	26
Figure 3.3. CPRI PCS Advanced Configuration Dialog Box .....	27
Figure 4.1. IPexpress Dialog Box .....	29
Figure 4.2. Clarity Designer Dialog Box.....	30
Figure 4.3. Configuration GUI .....	30
Figure 4.4. PCS User Interface .....	31
Figure 4.5. LatticeECP3 CPRI IP Core Directory Structure.....	32
Figure 4.6. LFE5UM CPRIIP Core Directory Structure .....	32
Figure 4.7. Clarity Designer Builder Window .....	38
Figure 4.8. Clarity Designer Catalog Window .....	39
Figure 5.1. Pattern Generators and Checkers Included with Delivered IP Core Testbench (One Direction Shown) .....	41

## Tables

Table 1.1. CPRI IP Core Quick Facts (3G Version) .....	5
Table 1.2. CPRI IP Core Quick Facts (5G Version) .....	5
Table 2.1. CPRI I/O Signal Descriptions.....	13
Table 2.2. CPRI Line Rates.....	18
Table 2.3. HDLC Frequencies Supported .....	24
Table 3.1. IP Core Parameters .....	26
Table 3.2. CPRI Parameters Controlled via Input Signals to the IP Core.....	28
Table 4.1. File List .....	33
Table 5.1. Supported Devices for Reference Design.....	40
Table 5.2. CPRI Testbench Register Map .....	41
Table A.1. Resource Utilization.....	47
Table A.2. Resource Utilization.....	47
Table A.3. Resource Utilization.....	47

# 1. Introduction

This document provides technical information about the Lattice Semiconductor Common Public Radio Interface (CPRI) IP core. This IP core together with SERDES and Physical Coding Sublayer (PCS) functionality integrated in the LatticeECP3™ and ECP5™ LFE5UM FPGAs implements the physical layer of the CPRI specification and interleaves IQ data with synchronization, control and management information. It can be used to connect Radio Equipment Control (REC) and Radio Equipment (RE) modules.

The CPRI IP core implements all of the capabilities required to support the physical layer of the CPRI specification (basic function), and also implements specific requirements related to link delay accuracy (low latency character). One CPRI core configuration for 5G version (4.9152 Gbps) is also supported. This core configuration for 5G version is similar to the "low latency" one for 3G version except the data rate. This document focuses on the detailed specifications associated with implementing and using the basic function. The LatticeECP3 and ECP5 LFE5UM FPGAs optimize PCS/SERDES architecture for low latency control. Complete details on the implementation and use of the low latency configuration are included in [CPRI IP Core Low Latency Variation Design Considerations User's Guide \(IPUG74\)](#).

The CPRI soft-core comes with the following documentation and files:

- Data sheet
- Protected netlist/database
- Behavioral RTL simulation model
- Source files for instantiating and evaluating the core

The CPRI IP core supports Lattice's IP hardware evaluation capability, which makes it possible to create versions of the IP core that operate in hardware for a limited period of time (approximately four hours) without requiring the purchase of an IP license. It may also be used to evaluate the core in hardware in user-defined designs. The [Hardware Evaluation](#) section of this document details the hardware evaluation capability.

In this document, transmit refers to data flow from the user application logic to the CPRI link. Receive refers to data flow from the CPRI link to the user application logic. Downlink refers to the direction of data flow from REC to RE, and uplink refers to the direction of data flow from RE to REC.

The Lattice CPRI core is compliant with the version 5.0 CPRI specification. However, the core does not directly support requirement R-31 (line-rate autonegotiation). For the 3G version, Lattice supports dynamic switching between full and half rate line settings (i.e., 614M/1.2G or 1.2/2.4G). However, switching dynamically between all line rates is not supported since some PCS/SERDES bit settings need to be re-programmed through the SCI to support reliable data transfer. It is anticipated that in most network applications, line rate negotiation will be established/managed at the system level and there is nothing in the IP core that precludes supporting such capability.

## 1.1. Quick Facts

Table 1.1 provides quick facts about the CPRI IP core 3G version.

**Table 1.1. CPRI IP Core Quick Facts (3G Version)**

		CPRI IP Core (3G Version)	
		Across All IP Configurations	
<b>Core Requirements</b>	FPGA Families Supported	LatticeECP3, ECP5	
	Minimal Device Supported	LFE3-35E-6FTN256C	LFE5UM-85F-7MG381C
<b>Resource Utilization</b>	Data Path Width	8-40 bits	
	LUTs	1400-1600	1600-2000
	sysMEM EBRs	2-6	
	Registers	1500-1700	1500-1700
<b>Design Tool Support</b>	Lattice Implementation	Lattice Diamond® 3.2	
	Synthesis	Synopsys® Synplify® Pro I-2013.09L-SP1-1	
	Simulation	Aldec® Active-HDL™ 9.3 Lattice Edition	
		Mentor Graphics® ModelSim® SE 10.1C	

Table 1.2 provides quick facts about the CPRI IP core 5G version.

**Table 1.2. CPRI IP Core Quick Facts (5G Version)**

		CPRI IP Core (5G Version)	
		Across All IP Configurations	
<b>Core Requirements</b>	FPGA Families Supported	ECP5-5G	
	Minimal Device Supported	LFE5UM5G-45F-8BG381C	
<b>Resource Utilization</b>	Data Path Width	64 bits	
	LUTs	1100-1600	
	sysMEM EBRs	2~6	
	Registers	1000-1300	
<b>Design Tool Support</b>	Lattice Implementation	Lattice Diamond® 3.9	
	Synthesis	Synopsys® Synplify® Pro L-2016.09L-1	
	Simulation	Aldec® Active-HDL™ 10.3 Lattice Edition	
		Mentor Graphics® ModelSim® SE 6.6e SE	

## 1.2. Features

The following features apply to the basic CPRI core configuration for 3G version:

- Supports the physical link layer (Layer 1) of the CPRI specification
- Supports four standard bit rates of the CPRI specification
  - 614.4 Mbps
  - 1228.8 Mbps
  - 2457.6 Mbps
  - 3072 Mbps
- Supports 8b/10b encoding/decoding performed in the PCS/SERDES
- Supports code-violation detection performed in the PCS/SERDES
- Performs CPRI Hyperframe Framing
  - Performs interleaving of IQ data, sync, C&M data, and vendor specific information
  - Provides an 8-, 16-, 32- or 40-bit parallel interface for IQ data
- Performs subchannel mapping:
  - Supports a slow C&M channel based on a serial HDLC interface at standard bit rates (240 Kbps, 480 Kbps, 960 Kbps, and 1920 Kbps). The HDLC framer, if needed, must be implemented in the user logic.
  - Supports a fast C&M channel based on a serial Ethernet interface (84.48 Mbps max.) to the user logic, a non-standard rate MII Ethernet interface to a MAC, or a 100 Mbps MII interface to a PHY device. Accepts a user-selected pointer to the CPRI subchannel where the Ethernet link starts. The Ethernet MAC function is provided as a separate IP core.
- Performs synchronization and timing as defined in section 4.2.8 of CPRI Specification v5.0
- Supports the L1 Inband Protocol
- Provides a parallel interface for merging vendor specific data into the CPRI frame
- Provides a start-up sequence state machine in hardware for both REC and RE nodes which performs:
  - Synchronization and Rate Negotiation
  - C&M Plane setup
- Performs Link Maintenance as defined in section 4.2.10 of CPRI Specification v5.0:
  - LOS detection
  - LOF detection
  - RAI indication
- Optional top-level template that implements user registers for control and status management
- Optional 8-bit register interface through SCI bus

The low latency CPRI core configuration for 3G version supports all of the features specified for the basic core configuration with the following key exceptions/modifications:

- Supported for LatticeECP3 and ECP5 FPGA families only
- Supports 1228.8 Mbps, 2457.6 Mbps, and 3072 Mbps line bit rates only.
- FPGA bridge FIFOs in the SERDES/PCS (DCU in ECP5) block are bypassed in both the receive and transmit directions
- Logic blocks supporting receive direction 10b word alignment, 10b/8b decoding and core-violation detection in the SERDES/PCS (DCU in ECP5) block are bypassed and the corresponding functions are implemented in FPGA gates.

The low latency CPRI core configuration for 5G version is similar to the low latency core configuration for 3G version with the following key exceptions/modifications:

- Supported for ECP5 FPGA family only.
- Supports 4915.2 Mbps only.
- Provides 64-bit parallel interface for IQ data only.
- Supports a slow C&M channel based on a serial HDLC interface at standard bit rates (240 Kbps, 480 Kbps, 960 Kbps, 1920 Kbps, 2400Kbps, and 3840Kbps).
- No 8-bit register interface through the JTAG port

The low latency CPRI core implementation is different between LatticeECP3 and ECP5 for 3G version:

- FPGA bridge FIFOs in the SERDES/PCS block are bypassed in both the receive and transmit directions for LatticeECP3 FPGA, but enabled with synchronous WR/RD clocks for ECP5 LFE5UM FPGA

- The latency variability from 10-bit word alignment is the key for low latency control. For LatticeECP3, CPRI implements a PLL to eliminate the latency variation associated with the SERDES de-serializer 10-bit word alignment function by reading word align offset status registers. (The value can be read at channel register 0x22 with the base address.) For the LFE5UM device, the SERDES includes a new function that allows the de-serializer to slip the location of the bits in the parallel output by one bit at a time. This is done one bit at a time under control of a signal from the PCS and can be done multiple times as needed in order to align the data word as needed. This can be used by the word aligner in the PCS to ensure that the parallel word is aligned on a comma character boundary and is important to do in applications for CPRI that require that the latency variation through the SERDES block be as small as possible.

## 2. Functional Description

This section provides a functional description of the CPRI IP core.

### 2.1. Block Diagram

The complete CPRI IP core includes two key components — the CPRI IP logic core and separate logic blocks that support the interface between the logic core and the integrated PCS/SERDES block.

A block diagram of the CPRI IP logic core for 3G version is shown in [Figure 2.1](#). For 5G version, higher HDLC rate (`hdlc_2400_en`) is also supported. And 64-bit parallel interfaces (`tx/rx_iq_da[63:0]`, `tx/rx_vendor_da[63:0]`) are implemented instead.

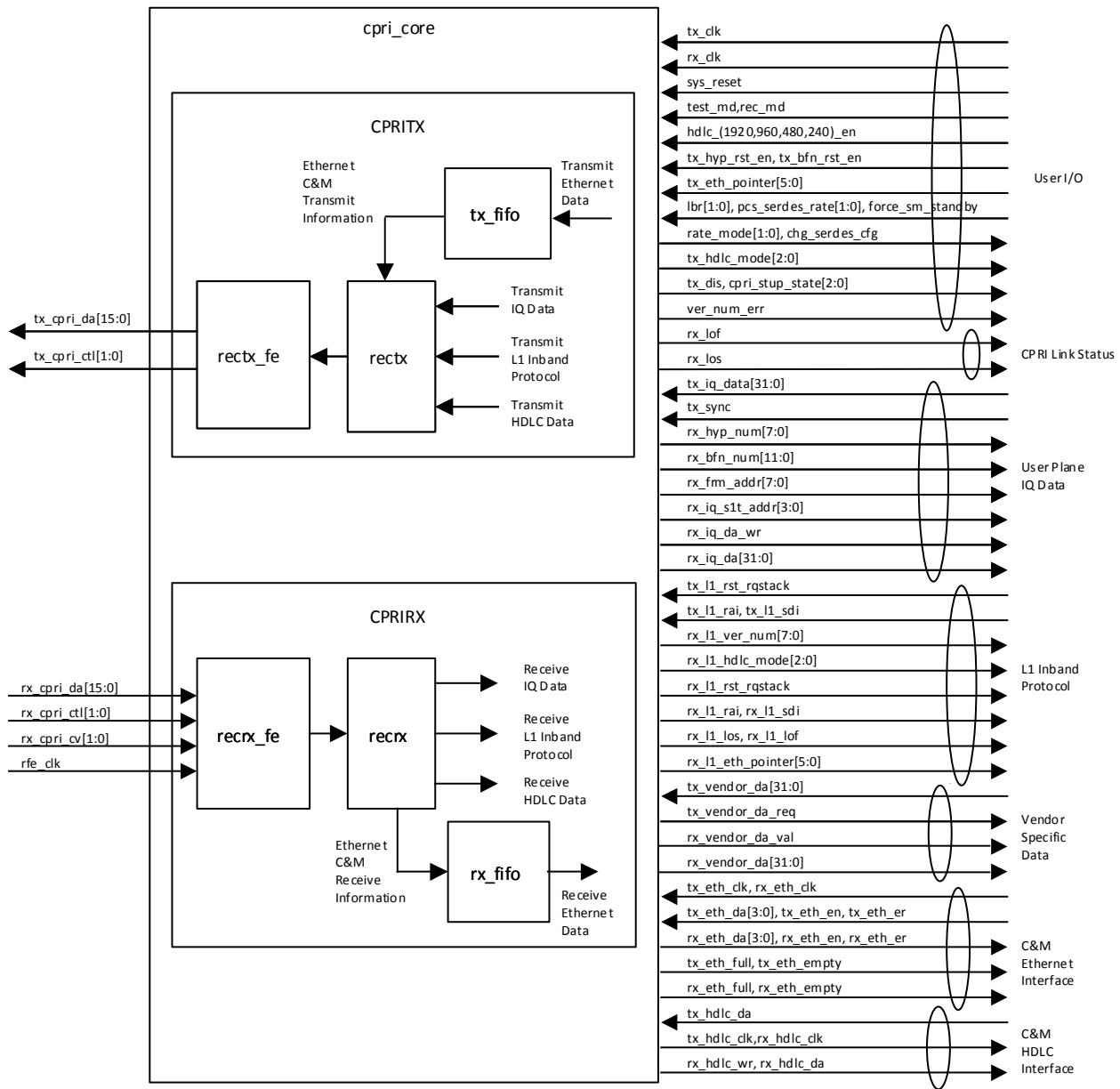


Figure 2.1. CPRI IP Logic Core Block Diagram

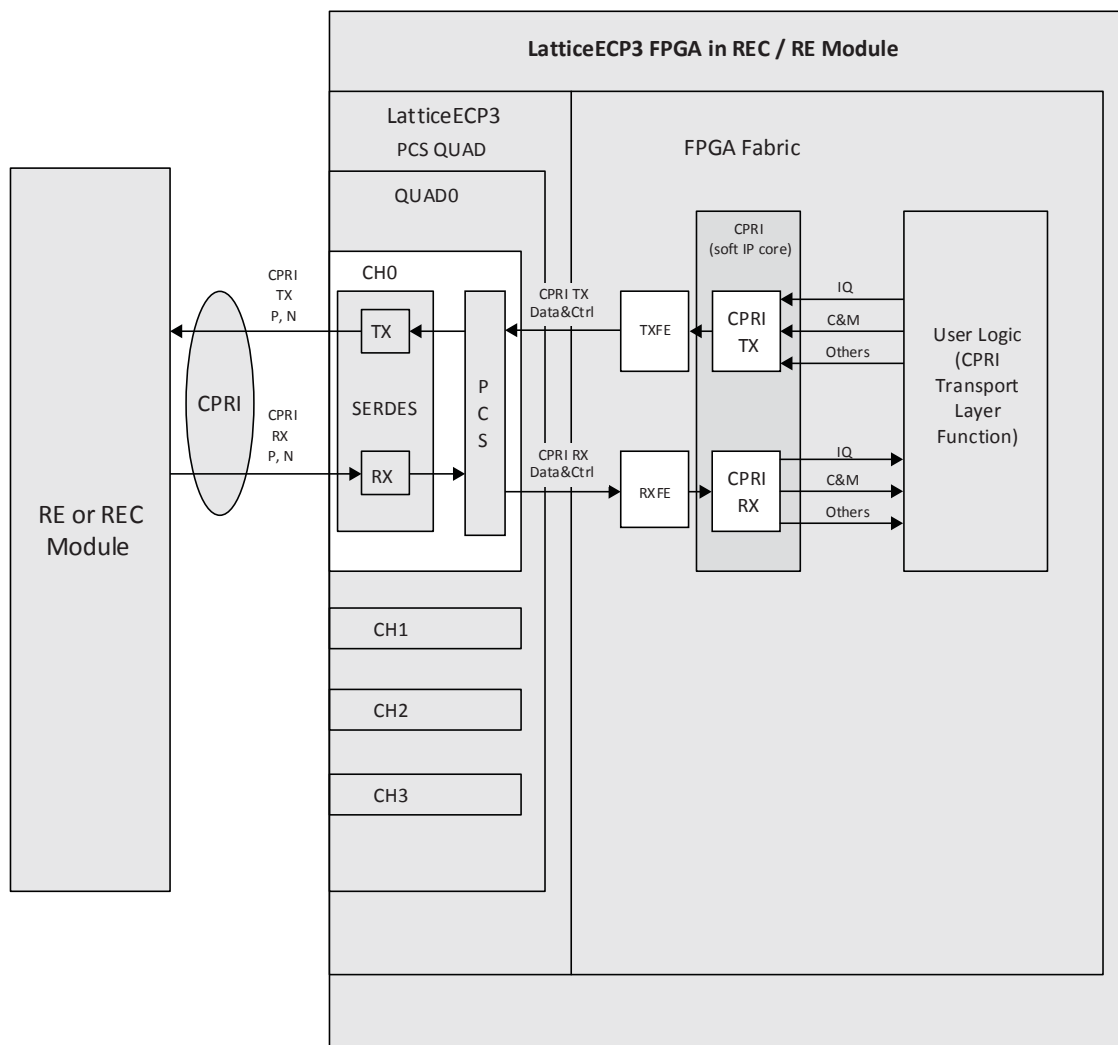


## 2.2. General Description

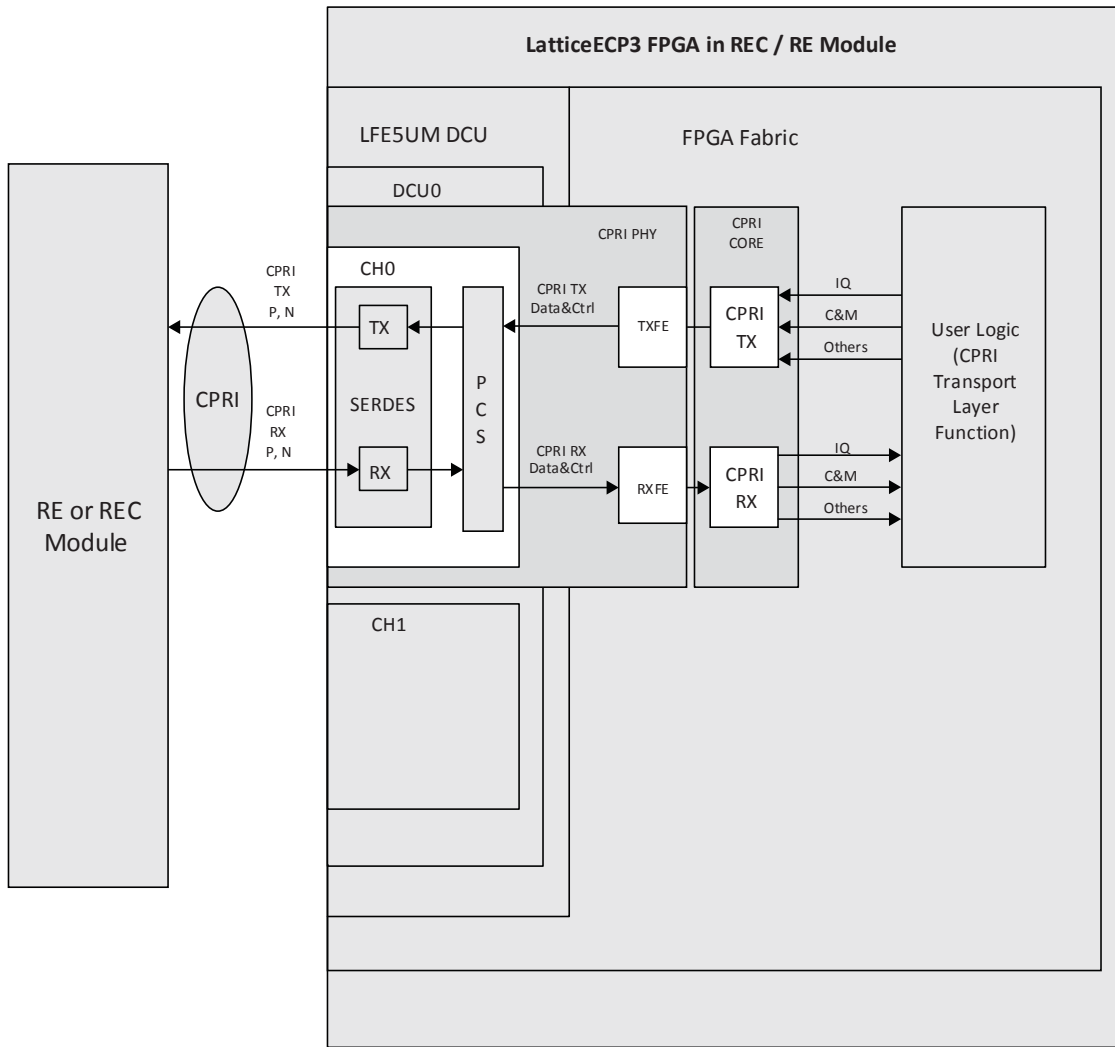
The complete CPRI IP core includes two key components, the CPRI IP logic core and separate logic blocks that support the interface between the logic core and the SERDES/PCS (DCU for LFE5UM) functions integrated in the FPGA. [Figure 2.1](#) shows a block diagram of the CPRI IP logic core. For 3G version, control and status parameters specifying core functionality are managed via bit-mapped I/O that may be hard-wired or interfaced to programmable registers, providing users with optimal flexibility in defining static and/or dynamic management of the various functional parameters needed for their particular applications.

The CPRI IP Core supports a parallel user IQ data interface, a serial HDLC interface, a serial Ethernet interface, a parallel interface for vendor specific information, and provides individual signals which allow the user to insert/receive L1 Inband Protocol information to/from the CPRI link. The interfaces to the user application are by design very simple to allow the CPRI IP Core to be as flexible as possible. All higher-level functions such as Ethernet MAC functions, HDLC framing, etc. are all intended to be done outside of the CPRI IP Core in user logic or in other Lattice IP Modules.

[Figure 2.2](#) and [Figure 2.3](#) show a system level block diagram of CPRI IP core instantiated in a LatticeECP3 or LFE5UM series FPGA. As indicated in [Figure 2.2](#) and [Figure 2.3](#), additional IP cores may be instantiated to support multiple RP3 data links. Also shown in [Figure 2.2](#) and [Figure 2.3](#) are RXFE and TXFE logic blocks that support the interface between IP logic core and the integrated SERDES/PCS (DCU for LFE5UM) block.

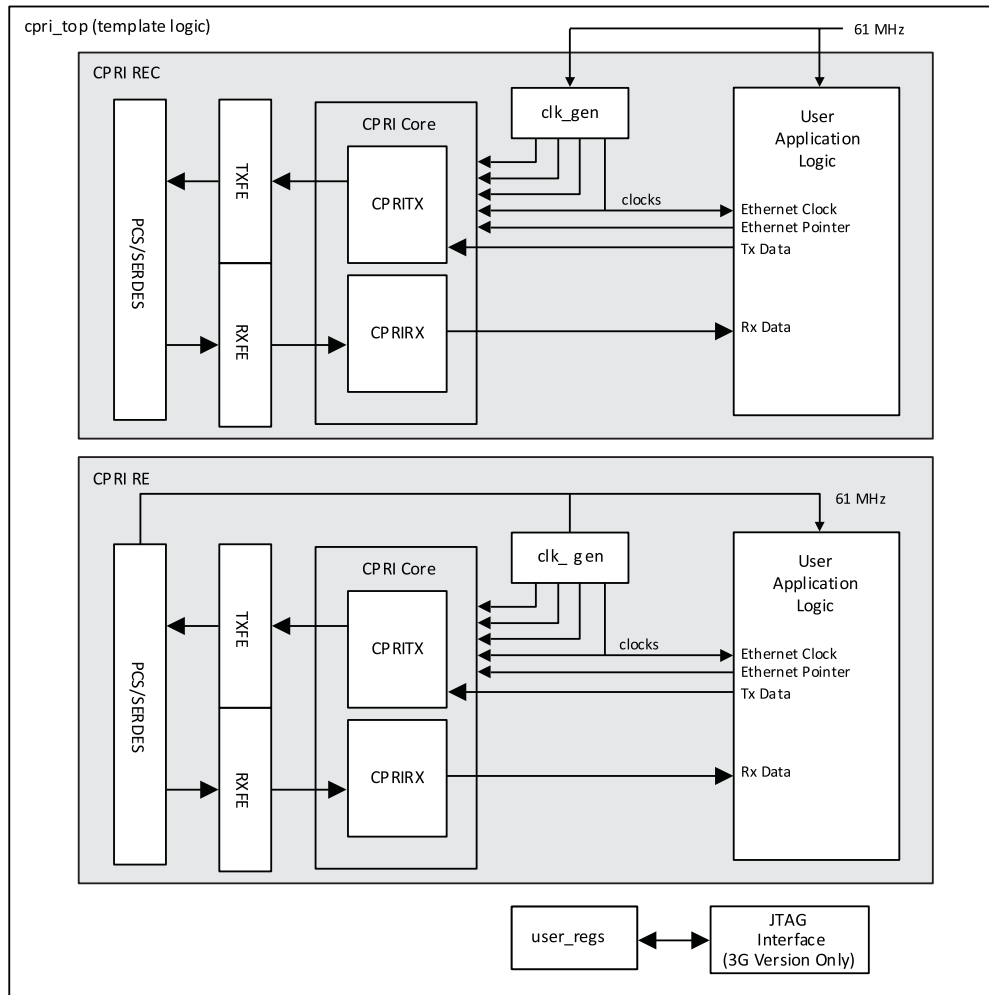


**Figure 2.2. CPRI IP Core System Block Diagram in LatticeECP3**



**Figure 2.3. CPRI IP Core System Block Diagram in ECP5 LFE5UM**

Included in the CPRI IP core evaluation package is a reference module that provides an example of how the IP core is instantiated at the top level, as shown in [Figure 2.4](#). This top-level template is provided in RTL format and provides a good starting point from which the user can begin to add custom logic to a design. [Figure 2.4](#) includes example connections for using the IP core in REC and RE modes.



**Figure 2.4. Top-Level Template Included with CPRI IP Core**

The CPRI IP logic core is provided in NGO format. For LatticeECP3 CPRI IP core, the RXFE and TXFE blocks are RTL templates. For LFE5UM, PCS/SERDES, the rxfe and txfe blocks are packaged as CPRI PHY. Also included in the reference top file is a user side driver/monitor module and register implementation module for optional use. These modules are used in the evaluation simulation capability. The driver/monitor module is used to provide data in the transmit direction and verify data in the receive direction. The register implementation module is used to control the IP core. The overall top-level design can be used without modification in the debugging phase on physical hardware needing only a CPRI source/sink capability to verify IP core operation.

## 2.3. Functional Overview

A block diagram of a typical LatticeECP3 CPRI application is shown in [Figure 2.2](#) on page 9 and a block diagram of a typical LFE5UM CPRI application is shown in [Figure 2.3](#) on page 10. These examples show four CPRI link transceivers implemented in a LatticeECP3 and an LFE5UM device. The major functional blocks in the example are the CPRI Soft IP core, the PCS/SERDES block, and the user application logic. The CPRI IP Core (cpri\_core), shown in [Figure 2.1](#) on page 9, consists of two major functional blocks, the transmitter (CPRITX) and the receiver (CPRIRX). One side of each of these two blocks interfaces to the PCS/SERDES module, and the other side interfaces to the user logic that implements the data link and higher layers of the CPRI protocol.

The CPRI IP Core multiplexes user IQ data with synchronization and C&M data. The IP core is being designed with very simple and versatile interfaces for transferring data to the user application logic.

IQ data is transferred between the IP core and the user logic using a parallel data interface. In the transmit direction, the user application provides a sync pulse which determines the start of a CPRI BFN (every 150 hyperframes) frame. In the receive direction, the IP core transfers IQ data to the user application along with framing information recovered from the CPRI link.

In the transmit direction, the CPRI IP core accepts user C&M data at either the HDLC and/or the Ethernet interface and interleaves that data with the user IQ data into the CPRI frame. In the receive direction, C&M data received on the CPRI link is disinterleaved from the user IQ data, and the HDLC or Ethernet encapsulated data is presented to the user at either the HDLC or Ethernet interfaces of the CPRI IP core.

The C&M data can be encapsulated in either HDLC (slow channel) or Ethernet (fast channel) as desired by the user. For HDLC, the CPRI IP Core only performs the interleaving of the C&M data with user IQ data. It does not provide any of the HDLC Level 2 functions such as framing and serial to parallel conversion. These functions must be done in the user application logic or in another IP module. For Ethernet, three modes are provided. In mode 1, the core does not provide the serial to parallel and 4B/5B conversion. The interface is a serial bitstream that contains 5B encoded nibbles. In mode 2, the core provides a standard MII interface that can be connected to a standard Ethernet MAC. In mode 3, the core provides an MII like interface that has the clocks as inputs instead of outputs. This interface can be connected to a PHY that is operating at the 100 Mbps standard rate.

## 2.4. Signal Descriptions

Table 2.1. CPRI I/O Signal Descriptions

Pin Name	Direction Input/Output	Width (Bits)	Description
<b>System Clock and Reset</b>			
tx_clk	I	1	61 MHz system clock input
rx_clk	I	1	61 MHz receive side clock input
sys_reset	I	1	Active low reset
txrst	I	1	Active high Ethernet FIFO reset (in TX CPRI)
rxrst	I	1	Active high Ethernet FIFO reset (in RX CPRI)
<b>User Interface</b>			
rec_md	I	1	Select between REC or RE mode, REC = 1
test_md	I	1	test_mod = 1, speed up the timer for simulation
hdlc_240_en	I	1	240 KHz HDLC frequency enable
hdlc_480_en	I	1	480 KHz HDLC frequency enable
hdlc_960_en	I	1	960 KHz HDLC frequency enable
hdlc_1920_en	I	1	1920 KHz HDLC frequency enable
hdlc_2400_en	I	1	2400 KHz HDLC frequency enable (only available in 3G)
auto_cnt	I	1	For master CPRI TX only, update Z64, Z128, Z192 with hyp_cnt_init and bfn_cnt_init when low. When it is high, control words are updated by internal counter.
hyn_cnt_init	I	8	For master CPRI TX only, used for two purposes: Auto_cnt = 0: update Z64 Auto_cnt = 1: update internal hfn counter when tx_sync = 1 and tx_hyp_rst_en = 1
bfm_cnt_init	I	12	For master CPRI TX only, used for two purposes: Auto_cnt = 0: update Z128, Z192 Auto_cnt = 1: update internal bfn counter when tx_sync = 1 and tx_bfn_rst_en = 1
tx_hyp_rst_en	I	1	Transmit side hype frame counter reset enable during tx_sync active
tx_bfn_rst_en	I	1	Transmit side bfn counter reset enable during tx_sync active
tx_eth_pointer	I	6	Transmit Ethernet pointer value, the value is 0, 20~63.
lbr_en	I	2 (3 for 5G)	Maximum CPRI Line bit rate enabled by user
force_sm_standby	I	1	Force startup state machine to standby
pcs_serdes_rate	I	2 (3 for 5G)	CPRI line rate supported by PCS/SERDES

**Table 2.1. CPRI I/O Signal Descriptions** *(continued)*

Pin Name	Direction Input/Output	Width (Bits)	Description
rate_mode	O	2 (3 for 5G)	Final negotiated CPRI Line bit rate after start-up sequence completes
chg_serdes_cfg	O	1	Indicator to program the SERDES for different rate
tx_hdlc_mode	O	3	Transmit side HDLC negotiated bit rate
tx_dis	O	1	For RE mode disable transmit side active high
cpri_stup_stat	O	3	Startup sequence state 1 = synchronization state 2 = protocol setup state 3 = c/m plane setup state 4 = interface and vendor negotiation state 5 = operation
ver_num_err	O	1	Version number error
<b>CPRI Link Status</b>			
rx_lof	O	1	Receive side Loss of Frame
rx_los	O	1	Receive side Loss of Signal
<b>User Plane IQ Data Signals</b>			
tx_iq_da	I	32 (40 for 3G, 64 for 5G)	Transmit side IQ data
tx_sync	I	1	Transmit side IQ data sync
rx_hyp_num	O	8	Receive side hyper frame number
rx_bfn_num	O	12	Receive side basic frame number
rx_frm_addr	O	8	Receive side frame address
rx_iq_slc_addr	O	4	Receive side IQ data slot address
rx_iq_da_wr	O	1	Receive side IQ data write enable
rx_iq_da	O	32 (40 for 3G, 64 for 5G)	Receive side IQ data
<b>L1 Inband Protocol Signals</b>			
tx_l1_rst_rqstack	I	1	Transmit reset request or acknowledge
tx_l1_rai	I	1	Transmit Remote Alarm indication
tx_l1_sdi	I	1	Transmit SAP Defect Indication
rx_l1_ver_num	O	8	Received version number
rx_l1_hdlc_mode	O	3	Receive side HDLC negotiated bit rate
rx_l1_rst_rqstack	O	1	Receive reset request or acknowledge

**Table 2.1. CPRI I/O Signal Descriptions** *(continued)*

Pin Name	Direction Input/Output	Width (Bits)	Description
rx_l1_rai	O	1	Receive Remote Action Indication
rx_l1_sdi	O	1	Receive SAP Defect Indication
rx_l1_los	O	1	Receive Loss of Signal
rx_li_lof	O	1	Receive Loss of Frame
rx_l1_eth_pointer	O	6	Receive side Ethernet pointer value
<b>Vendor-Specific Data Interface Signals</b>			
tx_vendor_da	I	32 (40 for 3G, 64 for 5G)	Vendor-specific transmit data
tx_vendor_da_req	O	1	Vendor-specific transmit data request
rx_vendor_da_val	O	1	Vendor-specific receive data valid
rx_vendor_da	O	32 (40 for 3G, 64 for 5G)	Vendor-specific receive data
<b>CPRI to SERDES Signals</b>			
tx_cpri_ctl	O	2	Transmit side CPRI control to SERDES
tx_cpri_da	O	16 (40 for 3G and 64 for 5G, applies to tx_cpri_da and rx_cpri_da)  (5 for 3G and 8 for 5G, applies to tx_cpri_ctl, rx_cpri_ctl and rx_cpri_cv)	Transmit side CPRI data to SERDES
rx_cpri_ctl	I	2	Receive side CPRI control from SERDES
rx_cpri_da	I	16	Receive side CPRI data from SERDES
rx_cpri_cv	I	2	Receive side CPRI code violation from SERDES
slip_rxfe	O	1	Receive side slip to get "BC" in low byte
<b>C&amp;M Ethernet Interface Signals</b>			
tx_eth_clk, rx_eth_clk	I	1	Transmit Ethernet clock, Receive Ethernet clock
tx_eth_da	I	4	Transmit Ethernet data (1 bit wide in Serial mode)
tx_eth_en	I	1	Transmit Ethernet data enable (not equipped in Serial mode)
tx_eth_er	I	1	Transmit Ethernet error (not equipped in Serial mode)
rx_eth_da	O	4	Receive Ethernet data (1 bit wide in Serial mode)

**Table 2.1. CPRI I/O Signal Descriptions** *(continued)*

Pin Name	Direction Input/Output	Width (Bits)	Description
rx_eth_en	I	1	Receive Ethernet data enable (not equipped in Serial mode)
rx_eth_er	I	1	Receive Ethernet error (not equipped in Serial mode)
tx_eth_almost_full	O	1	Transmit Ethernet FIFO almost full. This is for user flow control.
tx_eth_empty	O	1	Transmit Ethernet FIFO empty
rx_eth_full	O	1	Receive Ethernet FIFO full
rx_eth_empty	O	1	Receive Ethernet FIFO empty
rx_eth_fifo_err	O	2	Receive Ethernet FIFO error flag (only for Fixed mode)
<b>C&amp;M HDLC Interface Signals</b>			
tx_hdlc_da	I	1	Transmit HDLC data
tx_hdlc_clk	O	1	Transmit HDLC clock
rx_hdlc_clk	O	1	Receive HDLC clock
rx_hdlc_wr	O	1	Receive HDLC write
rx_hdlc_da	O	1	Receive HDLC data

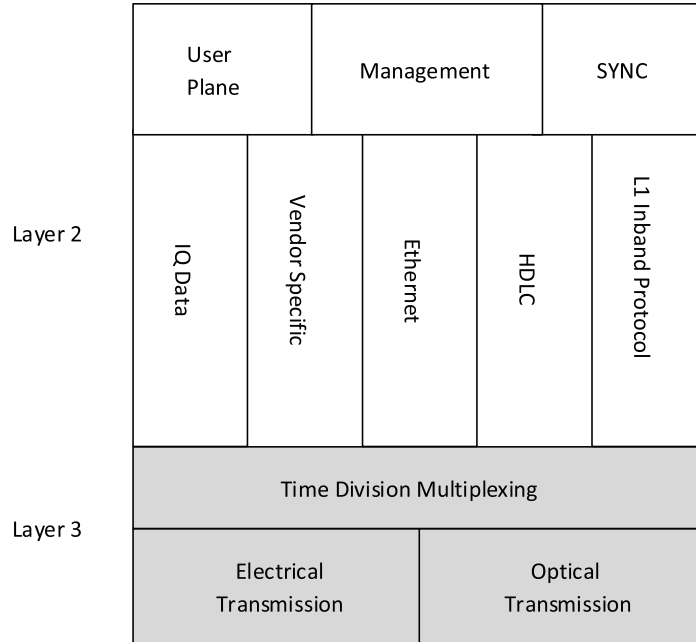
## 2.5. Timing Specifications

Refer to [LatticeECP3 Family Data Sheet \(DS1021\)](#) and [ECP5 and ECP5-5G Family Data Sheet \(FPGA-DS-02012, previously DS1044\)](#) for detailed SERDES and FPGA interface timing and electrical specifications.

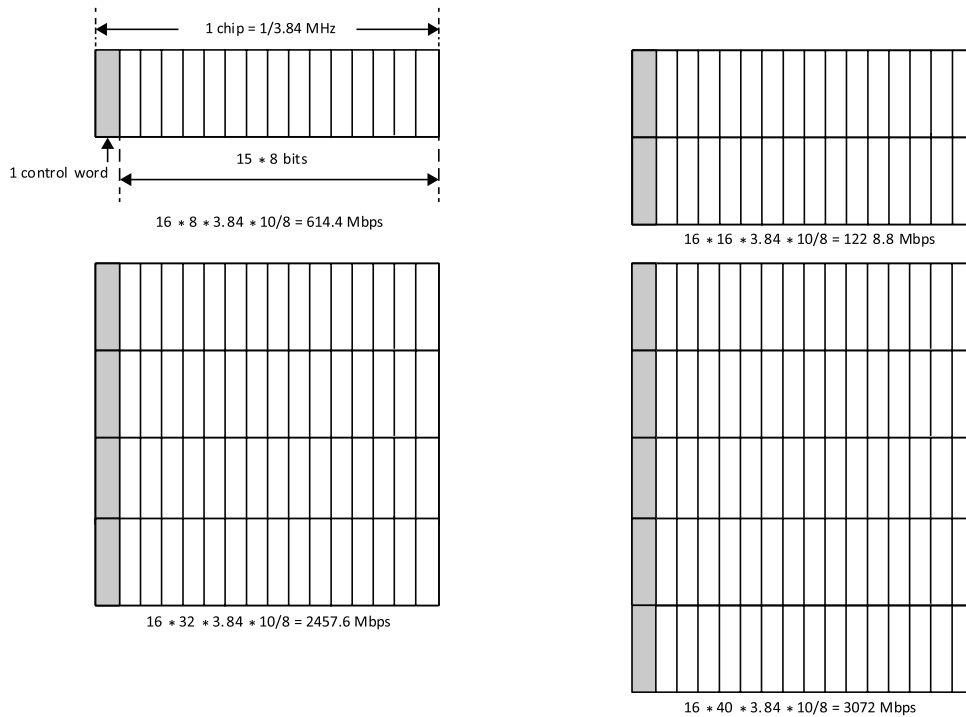
## 2.6. CPRI Overview

[Figure 2.5](#) shows the CPRI layer 1 and layer 2 protocols. The CPRI IP core interleaves user IQ (in-phase and quadrature) data with control and management (C&M) data into the frame and hyperframe formats specified by the CPRI Specification and shown in [Figure 2.6](#) and [Figure 2.7](#), respectively.

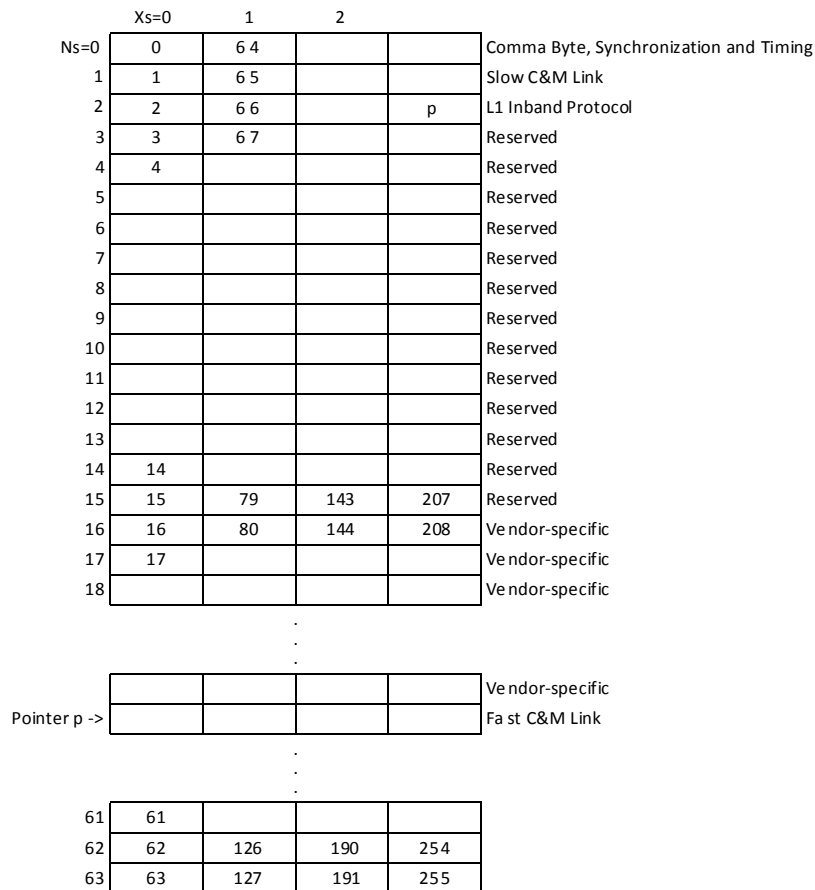




**Figure 2.5. CPRI Protocol Overview**



**Figure 2.6. CPRI Frame (Shown for 614.4 Mbps, 1228.8 Mbps, 2457.6 Mbps, and 3072 Mbps Line Rates)**



**Figure 2.7. CPRI Frame (Shown for 614.4 Mbps, 1228.8 Mbps, 2457.6 Mbps, and 3072 Mbps Line Rates)**

Four possible line rates for the CPRI frame are supported, as shown in Table 2.2. The maximum line bit rate that the core must support is selected by setting the lbr\_en input signals. Once the maximum line bit rate has been selected, all lower line bit rates are automatically enabled. The bit rate between the REC and RE is then negotiated between the transmitting and receiving ends by the start-up sequence state machine within the CPRI IP core.

**Table 2.2. CPRI Line Rates**

CPRI Line Bit Rate	Rate (Mbps)	lbr_en[1:0] (lbr_en[2:0] for 5G)
Option 1	614.4	00
Option 2	1228.8	01
Option 3	2457.6	1X or 10 (LatticeECP3 only)
Option 4	3072	11 (LatticeECP3 only)
Option 5 (for 5G version)	4915.2	100 (LatticeECP5 only)



In the receive direction, the CPRI IP Core provides IQ data to the user interface along with a word number (W), frame number (X), hyperframe number (Z), and a BFN number, as shown in [Figure 2.9](#).

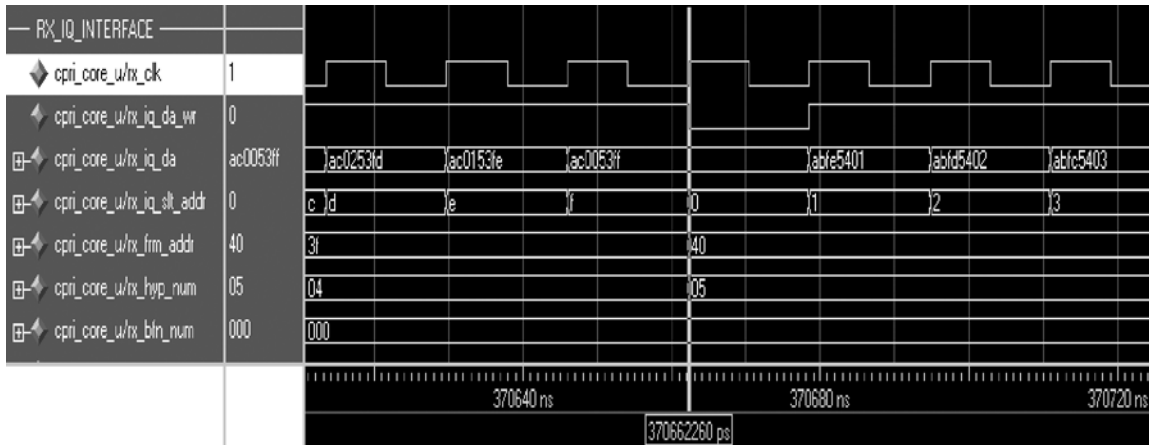
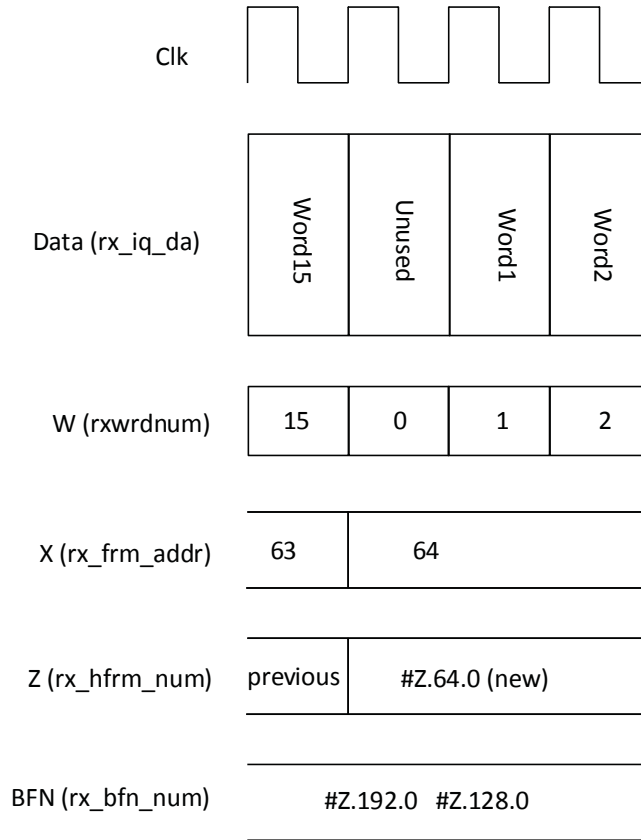


Figure 2.9. Rx IQ Interface Data and Frame Number Alignment

## 2.7.2. Ethernet Interface

### 2.7.2.1. Mode 1 (Serial)

The CPRI IP Core Ethernet Interface transmits and receives Ethernet data to/from the user application logic using a simple serial data connection. The amount of bandwidth on the CPRI link which is allocated to Ethernet (fast C&M) data is determined by the pointer value (Z.194.0) which in turn determines which subchannel number the Ethernet data starts at within the CPRI hyperframe. The pointer value is set by the user using the tx\_eth\_pointer[7:0] inputs to the IP core. The transmitter and receiver of the REC and RE ends must be able to use the same pointer value.

Since a buffer is provided within the IP core for Ethernet data, the Ethernet interface clock between the IP core and the user application logic must be chosen such that the correct number of words are transferred between the IP core and the user's logic each frame or else the internal buffer may overrun or underrun. Due to the large number of possible pointer values available it is not practical for the IP core to generate the Ethernet interface clock. Instead, the IP core is designed such that the pointer value and the Ethernet interface clock are provided as inputs to the Core, giving the user the maximum flexibility. The template logic (cpri\_top) shown in Figure 2.10, which will be delivered with the IP core, will include an example of how to generate and connect an Ethernet interface clock frequency of 61.44 MHz. Additional clock frequencies and pointer values may be set by the user by modifying the template logic. The difficulty which will be encountered in generating various Ethernet clock frequencies and pointer values will be entirely dependent on the clock frequencies available in the user's system. This is why the generation of the Ethernet clock frequency, and the assignment of the pointer value, must be done in the template logic and not within the IP core.

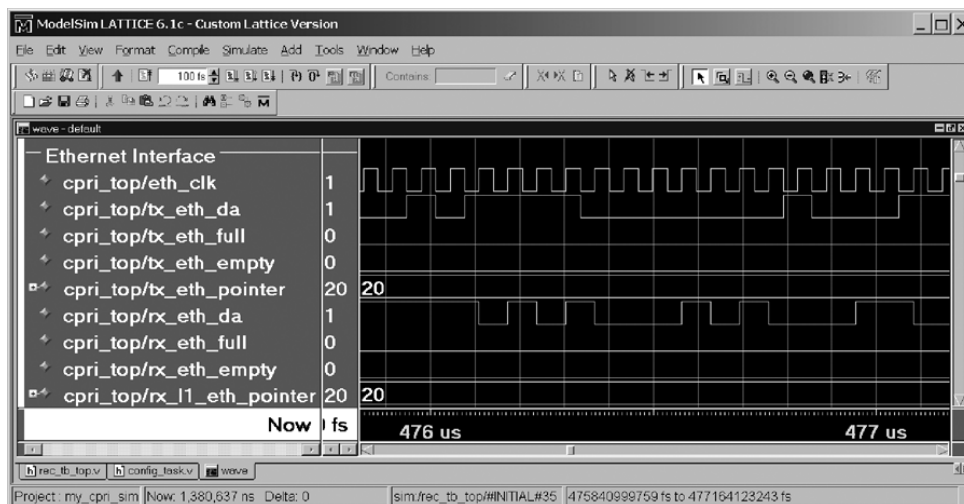


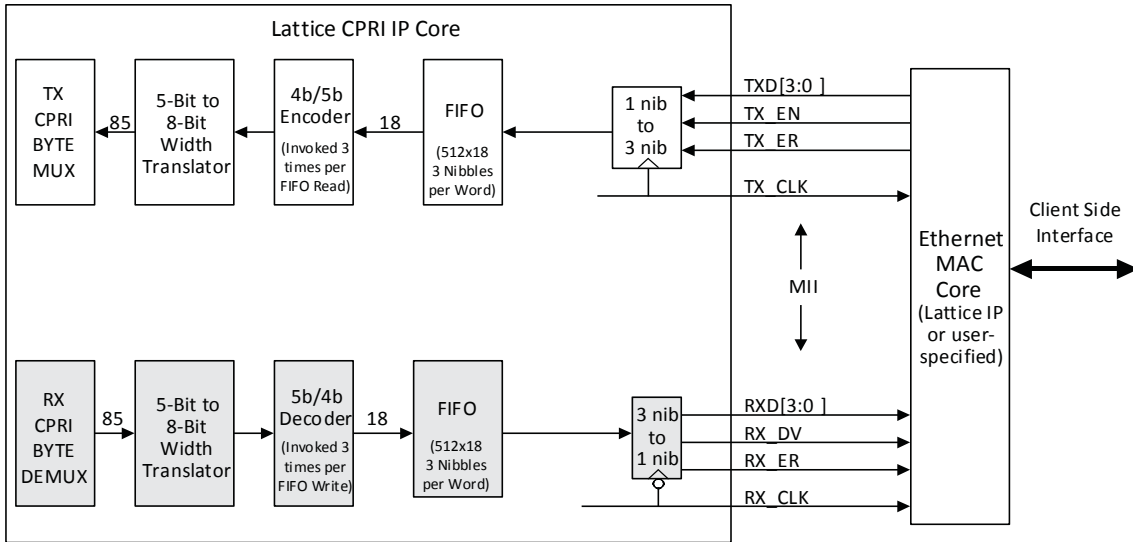
Figure 2.10. Ethernet C&M Interface

### 2.7.2.2. Mode 2 (Matched Rate MII)

The CPRI IP Core Ethernet Interface transmits and receives Ethernet data to/from the user application logic using a non-standard rate MII interface. The amount of bandwidth on the CPRI link which is allocated to Ethernet (fast C&M) data is determined by the pointer value (Z.194.0) which in turn determines which subchannel number the Ethernet data starts at within the CPRI hyperframe. The pointer value is set by the user using the tx\_eth\_pointer[7:0] inputs to the IP core.

Since a buffer is provided within the IP core for Ethernet data, the Ethernet interface clock between the IP core and the user application logic must be chosen such that the correct number of words are transferred between the IP core and the user's logic each frame or else the internal buffer may overrun or underrun. Due to the large number of possible pointer values available it is not practical for the IP Core to generate a periodic interface clock. Instead, the IP core is designed to produce a gapped clock. The Ethernet pointer and CPRI line rate are used to index a two parameter table that specifies the frequency and number of pulses contained in the gapped clock. The transmit Ethernet clock is based on the negotiated rate and transmit pointer. The receive Ethernet clock is based on the negotiated rate and the received L1 inband pointer in Z.194.0.

The core provides the 4B/5B code conversion required by the CPRI specification. The logic that interfaces the MII to CPRI byte mux/demux is shown in [Figure 2.11](#).



**Notes:**

1. TX\_CLK and RX\_CLK are gapped clocks with transition rates matching the effective data rate of the Fast C&M Channel specified by the pointer value in control byte#Z.194.0 and the CPRI line rate.
2. Both FIFOs are read and written as needed to source and sink data/control from/to the MII and CPRI mux/demux.

**Figure 2.11. Matched Rate MII CPRI Ethernet Interface**

**2.7.2.3. Mode 3 (100 Mb/s Fixed Rate MII)**

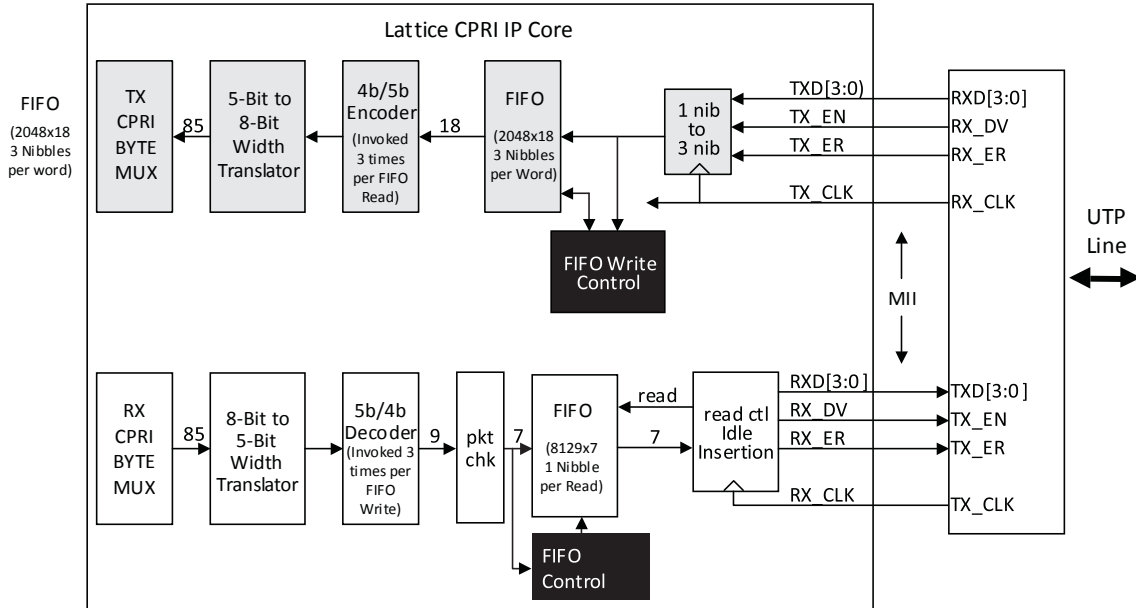
The CPRI IP Core Ethernet Interface transmits and receives Ethernet data to/from the user application logic using a 100 Mbps rate MII interface. The amount of bandwidth on the CPRI link which is allocated to Ethernet (fast C&M) data is determined by the pointer value (Z.194.0) which in turn determines which subchannel number the Ethernet data starts at within the CPRI hyperframe. The pointer value is set by the user using the tx\_eth\_pointer[7:0] inputs to the IP core.

The logic needed to support mode 3 is similar to that required for mode 2 with the exception of handling the reading and writing of the FIFOs. On the transmit side, the FIFO is always written at a faster rate than it is read. This means that the reading of this FIFO is the same as mode 2. Interframe gap is only written into the FIFO if the almost empty threshold is not maintained. This prevents the FIFO from being filled with idle information. It is the responsibility of the driver of the 100 Mbps link to not overrun the FIFO. There is no flow control provided to accommodate the rate mismatch between the 100 Mbps link and the CPRI link. Packets must be spaced to allow enough time for the CPRI to transmit packets.

On the receive side, the FIFO is always read at a faster rate than it is written. When the FIFO input data is not idle and passes basic SSD and ESD checks, it is written to the FIFO. When idle is detected on the FIFO input the FIFO is not written. When an end of packet is detected, a request is sent to the FIFO Read Control to send the packet on to the MII. A complete packet is received before it is read from the FIFO. FIFO reads begin when a request is received from the FIFO Write Control. FIFO reads continue until an end of packet is detected.

When an end of packet is detected, FIFO reads stop and a minimum of 24 nibble IDLEs are supplied to the MII interface. For 3.072 Gbps CPRI link, the MAC Ethernet MAX bandwidth is  $3.84M/64 \cdot (64-20) \cdot 40$ , that is 105.6 Mbps (when Ethernet pointer p is set to 20), and MIN bandwidth is 2.4 Mbps (when Ethernet pointer p is set to 63). For example, if your Ethernet bandwidth requirement is 10 Mbps, please set Ethernet pointer p as 60~61, the corresponding bandwidth is 7.2~9.6 Mbps. If Ethernet pointer p is set too small, the TX FIFO for Ethernet may be empty, and the Ethernet package may be inserted by duplicated data of the partial package. If Ethernet pointer p is set too large, the TX FIFO for Ethernet may be full. If no Ethernet bandwidth is needed, please set Ethernet pointer p to 0.

The core provides the 4B/5B code conversion required by the CPRI specification. The logic that interfaces the MII to CPRI byte mux/demux is shown in [Figure 2.12](#).



**Notes:**

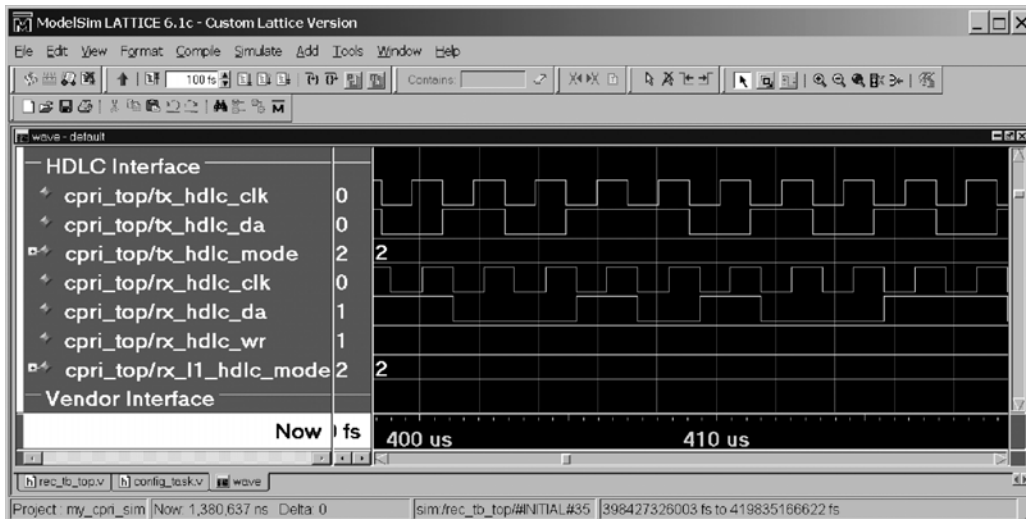
1. TX\_CLK and RX\_CLK are supplied by the external PHY device and assumed to be 25MHz.
2. The transmit FIFO is read as needed to supply data/control to the CPRI mux.
3. The transmit FIFO is written as needed to sink packets from the MII and supply idle.
4. The receive FIFO is read and written as needed to source and sink packets from/to the MII and CPRI demux. Idle is supplied separately.

**Figure 2.12. 100 Mbps Fixed Rate MII CPRI Ethernet Interface**

**2.7.3. HDLC Interface**

A timing diagram for the Ethernet C&M interface is given in Figure 2.13. The CPRI IP Core HDLC interface transmits and receives HDLC data to/from the user application logic using a serial data connection. The user selects the desired frequencies which the IP core will support by setting the `hdlc_(240,480,960,1920,2400)_en` input signals. The HDLC data rates shown in Table 2.3 are supported.

The CPRI IP core HDLC Interface does not perform any HDLC framing or processing. This must be performed in the user application logic or in another IP module. The transmitter of the IP core will negotiate with the receiver of the end of the CPRI link to achieve the maximum HDLC rate possible.



**Figure 2.13. HDLC C&M Interface**

**Table 2.3. HDLC Frequencies Supported**

HDLC Option	Input Signal	HDLC Data Rate (Kbps)
0	None selected	HDLC disabled
1	hdlc_240_en = 1	240
2	hdlc_480_en = 1	480
3	hdlc_960_en = 1	960
4	hdlc_1920_en = 1	1920
5	hdlc_2400_en = 1	2400

### 2.7.4. L1 Inband Protocol Interface

The L1 Inband Protocol Interface provides signals that allow the user application logic to populate the control words listed in the CPRI specification, and to read the value of the L1 Inband Protocol control words that are received from the CPRI link.

### 2.7.5. Vendor Specific Information

Figure 2.14 illustrates the timing of the vendor-specific information interface between the IP core and the user application logic. The IP core provides a simple parallel interface for merging vendor-specific information into the CPRI frame. The number of bytes available in the CPRI frame for vendor-specific information is dependent on the pointer value chosen. Any FIFOs required to support the bandwidth allocated to vendor-specific information must be implemented in the user logic.

The IP core provides a data request signal to the user application logic called tx\_vendor\_data\_req. When this signal goes high, the user logic must return the vendor-specific data to the IP core within six clock cycles. The user logic must continue to provide vendor-specific data until the tx\_vendor\_data\_req signal is once again asserted. If the user does not have any data to send in the vendor-specific bytes, then it must insert idle code.

In the receive direction, incoming vendor-specific information which is recovered from the CPRI link is presented to the user application logic along with an rx\_vendor\_da\_val signal. The vendor-specific information interface uses either 8, 16, or 32 (40 for 3G, 64 for 5G) of the available data bits, depending on which CPRI line bit rate has been selected. This is similar to the IQ data interface described previously.



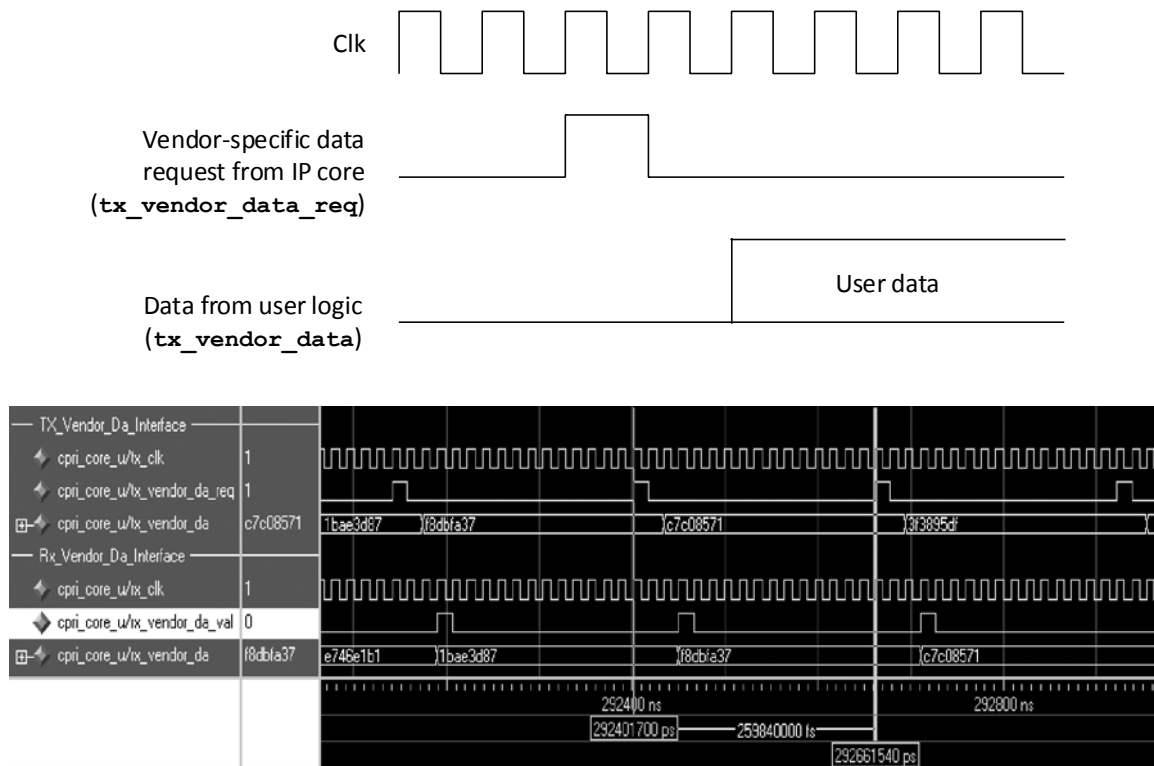


Figure 2.14. Timing for Vendor-Specific Information Interface

### 2.7.6. Start-up Sequence

The CPRI IP Core provides a start-up state machine which executes the startup state transitions as shown in Figure 30 in the CPRI Specification (Reference 2). This state machine will automatically perform the synchronization of Layer 1, and it will align the capabilities of the REC and the RE (line bit rate, protocol, C&M link speed, C&M protocol, and vendor specific signaling). For 3G version, the CPRI IP Core depends on software to program the correct data bus width into the LatticeECP3/LFE5UM SERDES through the SCI Bus. For a 1228.8 or 2457.6 Mbps CPRI line bit rate, the SERDES must be provisioned for a 16-bit interface to the FPGA logic. For all CPRI line bit rate, the SERDES must be provisioned for an 8-bit interface to the FPGA logic to achieve low latency purpose. Since the provisioned mode of the SERDES may need to change while the start-up sequence is negotiating the CPRI line rate, a signal (chg\_serdes\_cfg) is provided to the user application logic indicating that the mode the SERDES should be programmed for needs to be changed. The user application must monitor this signal and program the SERDES to the correct mode while the REC and RE are attempting to match line bit rates. When the application has finished programming the PCS/SERDES it writes the rate that is being supported to lbr\_en[4:3]. For 5G version, there is not JTAG interface to update parameters.

### 3. Parameter Settings

The IPexpress™ and the Clarity Designer tools are used to create IP and architectural modules in the Diamond software. IPexpress is for LatticeECP3 CPRI IP Core and Clarity Designer is for LFE5UM CPRI IP Core. Refer to the [IP Core Generation](#) section for a description on how to generate the IP.

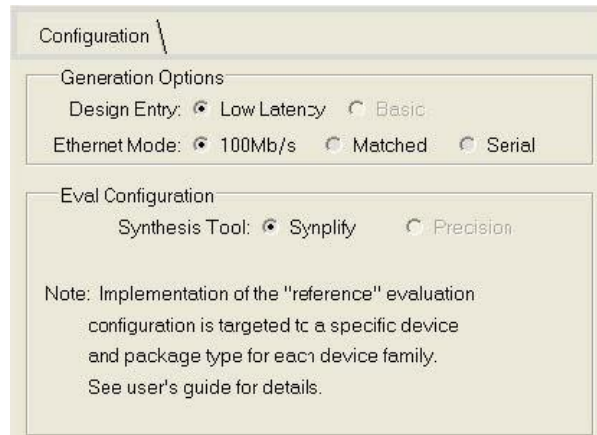
Table 3.1 provides the list of user configurable parameters for the CPRI IP core for 3G version. The parameter settings are specified using the CPRI IP core Configuration GUI in IPexpress.

**Table 3.1. IP Core Parameters**

Parameter	Range/Options	Default
<b>General Options</b>		
Design Entry	Design Entry	Design Entry
Ethernet Mode	Ethernet Mode	Ethernet Mode
<b>Eval Configuration</b>		
Synthesis Tool	Synthesis Tool	Synthesis Tool

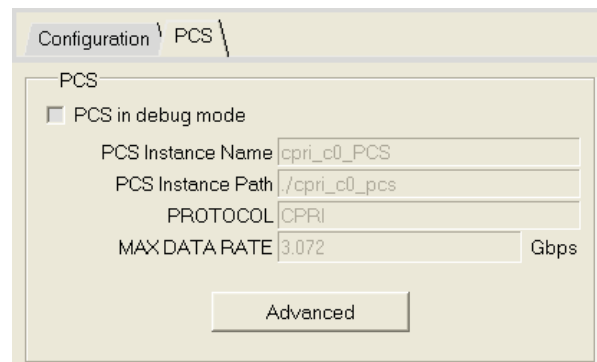
#### 3.1. CPRI Configuration Dialog Box

Figure 3.1 shows the CPRI Configuration dialog box.



**Figure 3.1. CPRI Configuration Dialog Box**

Figure 3.2 shows the CPRI PCS Configuration dialog box, it is for LFE5UM CPRI IP Core only. The page ‘PCS’ is for ECP5UM PCS/SERDES settings. If the **PCS in debug mode** option is selected, the LFE5UM DCU interface is displayed in <username>\_phy\_bb.v for debug. For further PCS configuration, click the **Advanced** button.

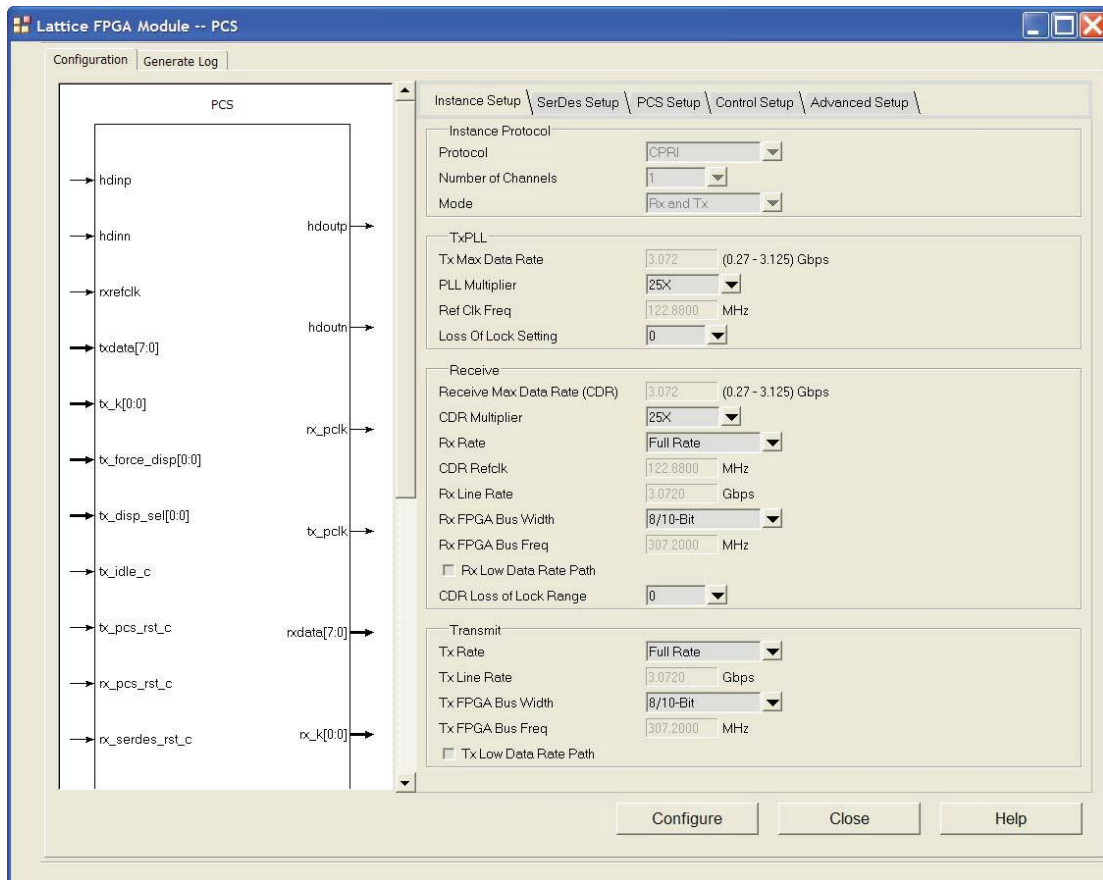


**Figure 3.2. CPRI PCS Configuration Dialog Box**

Clicking the **Advanced** button opens the CPRI PCS Advanced Configuration Dialog Box shown in [Figure 3.3](#).

If only one PCS is used in the project, it is recommended to select the Reset Sequence Select option in Control Setup tab.

If you want to revise the SERDES electric character, change the parameters on the SerDes Setup tab. Refer to [ECP5 SERDES/PCS Usage Guide \(TN1261\)](#).



**Figure 3.3. CPRI PCS Advanced Configuration Dialog Box**

### 3.1.1. Generation Options

#### 3.1.1.1. Design Entry

Lattice CPRI IP core only supports low latency character. The 'basic' option is not supported.

#### 3.1.1.2. Ethernet Mode

This option allows the user to specify the Ethernet mode supported by the IP core, either Serial, Matched Rate MII or 100Mb/s Fixed Rate MII. See [Ethernet Interface](#) for a detailed description of these different modes.

### 3.1.2. Eval Configuration

#### 3.1.2.1. Synthesis Tool

This option specifies evaluation configuration synthesis tool support for Synplify.

## 3.2. Programmable Parameters

The configuration settings listed in [Table 3.2](#) are controlled via user-specified input signals to the IP core.

**Table 3.2. CPRI Parameters Controlled via Input Signals to the IP Core**

Input Signal	Values	Function
lbr_en[1:0](for 3G) lbr_en[2:0](for 5G)	0, 1, 2, 3, 4	Selects the maximum line bit rate which the IP core will support: 0 – 614.4 Mbps maximum 1 – 1228.8 Mbps maximum 2, 3 – 2457.6 Mbps maximum 3 – 3072 Mbps in 3G version
force_sm_standby	0, 1	A zero-to-one transition forces the startup state machine to the Standby state.
pcs_serdes_rate[1:0] (for 3G) pcs_serdes_rate[2:0] (for 5G)	0, 1, 2, 3, 4	Selects the line bit rate which the PCS/SERDES will support: 0 – 614.4 Mbps maximum 1 – 1228.8 Mbps maximum 2 – 2457.6 Mbps maximum 3 – 3072 Mbps in 3G version
tx_eth_pointer[7:0]	0-63	Selects fast C&M pointer value
hdlc_240_en	0, 1	Enables 240 KHz as the maximum HDLC interface frequency
hdlc_480_en	0, 1	Enables 480 KHz as the maximum HDLC interface frequency
hdlc_960_en	0, 1	Enables 960 KHz as the maximum HDLC interface frequency
hdlc_1920_en	0, 1	Enables 1920 KHz as the maximum HDLC interface frequency
hdlc_2400_en	0, 1	Enables 2400 KHz as the maximum HDLC interface frequency
auto_cnt	0, 1	Enable master CPRI tx hfn and bfn updating. Default 1.
hyp_cnt_init	0-255	hfn used to update the control words or initialize the internal hfn counter. Default
bfm_cnt_init	0-4095	bfm used to update the control words or initialize the internal bfm counter. Default
tx_hyp_rst_en	0, 1	Enables tx_sync to reset tx_hyp_num
tx_bfn_rst_en	0, 1	Enables tx_sync to reset tx_bfn_num
test_md	0, 1	Speeds up timer to reduce test time: 0 – Normal 1 – Test
rec_md	0, 1	Sets core to REC or RE: 0 – RE 1 – REC

## 4. IP Core Generation

This section provides information on how to generate the CPRI IP core using the Diamond or ispLEVER software IPexpress tool, and how to include the core in a top-level design.

### 4.1. Licensing the IP Core

An IP core- and device-specific license is required to enable full, unrestricted use of the CPRI IP core in a complete, top level design. Instructions on how to obtain licenses for Lattice IP cores are given at:

<http://www.latticesemi.com/Products/DesignSoftwareAndIP.aspx>

Users may download and generate the CPRI IP core and fully evaluate the core through functional simulation and implementation (synthesis, map, place and route) without an IP license. The CPRI IP core also supports Lattice’s hardware evaluation capability, which makes it possible to create versions of the IP core that operate in hardware for a limited time (approximately four hours) without requiring an IP license. See the [Hardware Evaluation](#) section for further details. However, a license is required to enable timing simulation, to open the design in the Diamond EPIC tool, and to generate bitstreams that do not include the hardware evaluation timeout limitation.

### 4.2. Getting Started

The CPRI IP core is available for download from the Lattice IP Server using the IPexpress tool. The IP files are automatically installed using ispUPDATE technology in any customer-specified directory. After the IP core has been installed, the IP core will be available in the IPexpress GUI dialog box shown in [Figure 4.1](#).

The IPexpress tool GUI dialog box for the CPRI IP core is shown in [Figure 4.1](#). To generate a specific IP core configuration the user specifies:

- Project Path – Path to the directory where the generated IP files will be loaded.
- File Name – “username” designation given to the generated IP core and corresponding folders and files.
- (Diamond) Module Output – Verilog or VHDL.
- (ispLEVER) Design Entry Type – Verilog HDL or VHDL.
- Device Family – Device family to which IP is to be targeted (e.g. LFE5UM, LatticeECP3, etc.). Only families that support the particular IP core are listed.
- Part Name – Specific targeted part within the selected device family.

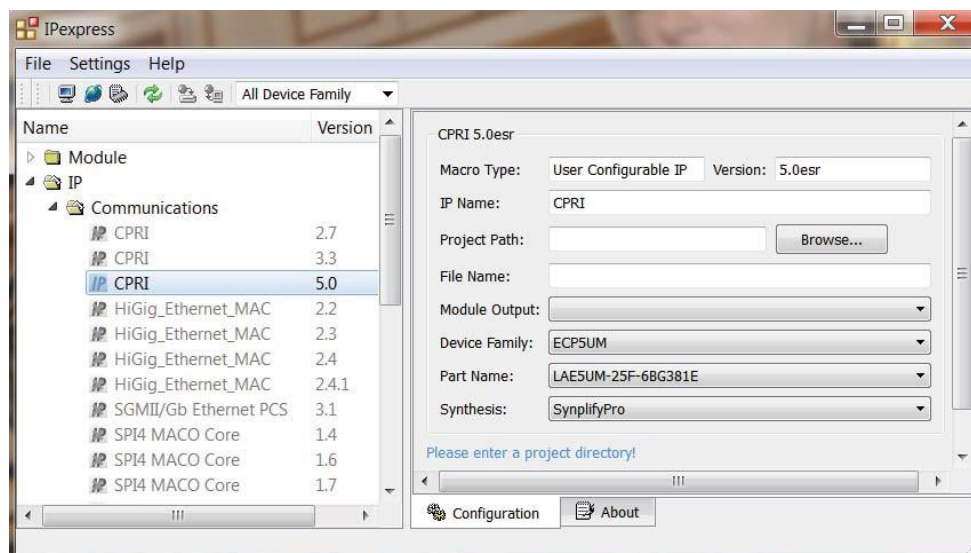


Figure 4.1. IPexpress Dialog Box

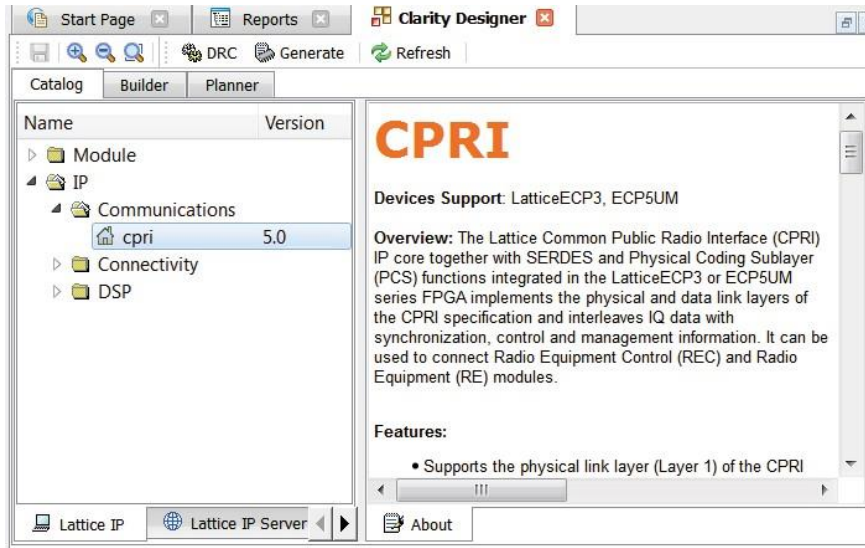


Figure 4.2. Clarity Designer Dialog Box

Note that if the IPexpress for LatticeECP3 or the Clarity Designer for LFE5UM is called from within an existing project, Project Path, Module Output, Device Family and Part Name default to the specified project parameters. Refer to the IPexpress tool online help for further information.

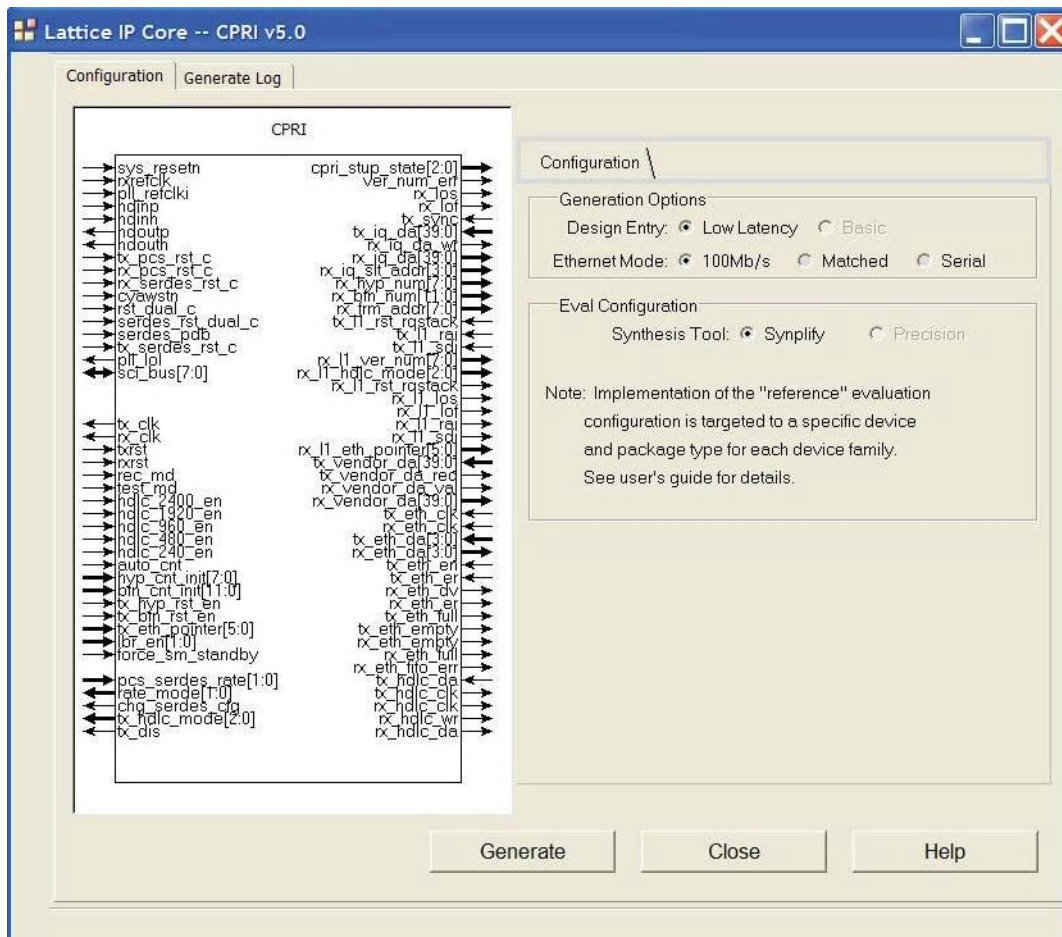


Figure 4.3. Configuration GUI

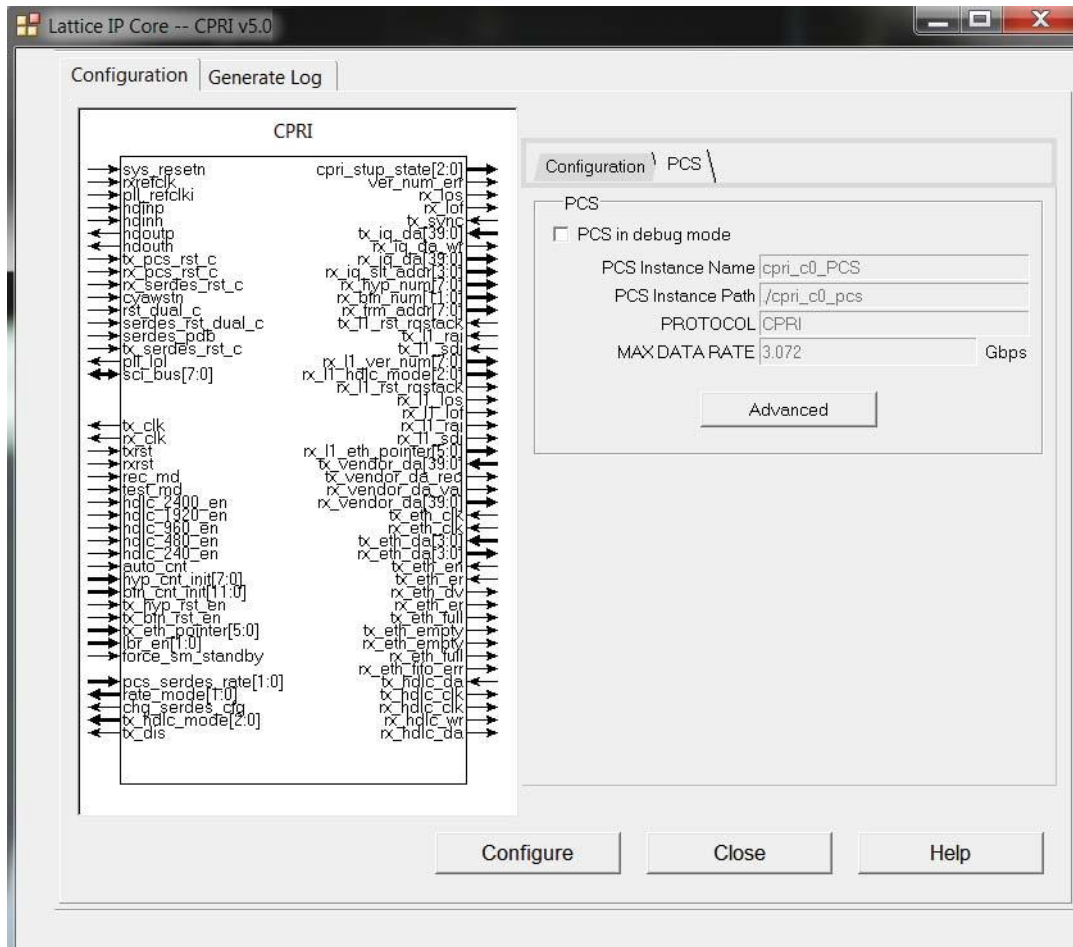


For LFE5UM CPRI IP core, the core should be generated using Diamond Clarity Designer.

To generate the LFE5UM CPRI IP Core in System Planner:

1. Create a new project with an LFE5UM device.
2. Open Clarity Designer and double-click CPRI IP core to open the CPRI IP GUI.
3. Configure the parameters. Note that there is one more package PCS.
4. Locate the DCU Channel into FPGA in the Clarity Designer Planner.
5. Click the Generate button.

The PCS page is shown in [Figure 4.4](#).



**Figure 4.4. PCS User Interface**

### 4.3. IPexpress-Created Files and Top Level Directory Structure

When the user clicks the Generate button in the IP Configuration dialog box, the IP core and supporting files are generated in the specified “Project Path” directory. The directory structure of the generated files is shown in Figure 4.5.

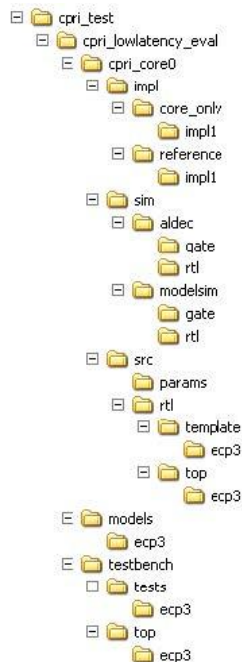


Figure 4.5. LatticeECP3 CPRI IP Core Directory Structure

The directory structure of LFE5UM CPRI IP core, as shown in Figure 4.6, is different from LatticeECP3.

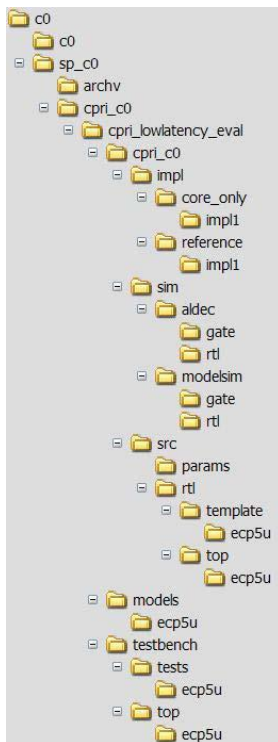


Figure 4.6. LFE5UM CPRI IP Core Directory Structure



Table 4.1 provides a list of key files created by the IPexpress tool and how they are used. The IPexpress tool creates several files that are used throughout the design cycle. The names of most of the created files are customized to the user's module name specified in the IPexpress tool.

**Table 4.1. File List**

File	Simulation	Synthesis	Description
<b>IP Configuration Files</b>			
<username>.lpc			This file contains the IPexpress tool options used to recreate or modify the core in the IPexpress tool.
<username>.ipx			This file is a container that holds references to all of the elements of the generated IP core required to support simulation, synthesis and implementation. The file is used to bring in the appropriate files during the design implementation and analysis. It is also used to re-load parameter settings into the IP/Module generation GUI when an IP/Module is being regenerated.
<b>LatticeECP3 CPRI Core Files</b>			
\\cpri_lowlatency_eval\cpri_c0\src\params\cpri_defines.v	Yes		This file provides user options of the IP for the simulation models.
cpri_core_3g_beh.v	Yes		This file provides CPRI core obfuscated file for RTL simulation.
<username>.v/<username>.vhd	Yes		This file provides CPRI core wrapper file for RTL simulation. (.v file if Verilog is selected or .vhd file if VHDL is selected).
<username>_bb.v		Yes	This file has black-box instantiations of the core and I/O modules and also source instantiation of clock synchronization module.
<username>_inst.v			This file provides the core instance for user project example.
<username>.ngo		Yes	This file provides the synthesized IP core.
pmi_ram_*.ngo		Yes	This file provides the synthesized RAM files.
cpri_lowlatency_eval\models\ecp3\frm_ram_256x40.v	Yes		This is a ram RTL file.
cpri_lowlatency_eval\models\ecp3\pcs_serdes.v	Yes	Yes	This is a PCS/SERDES RTL file.
cpri_lowlatency_eval\testbench\*	Yes		All files in the folder are test bench files for evaluation simulation.

**Table 4.1. File List** (continued)

File	Simulation	Synthesis	Description
cpri_lowlatency_eval\ <username&gt;\sim\*< td=""> <td>Yes</td> <td></td> <td>All files in the folder are simulation script files (*.do) for RTL level evaluation simulation and gate level evaluation simulation. The .do files can be launched in Modelsim or ActiveHDL tools.</td> </username&gt;\sim\*<>	Yes		All files in the folder are simulation script files (*.do) for RTL level evaluation simulation and gate level evaluation simulation. The .do files can be launched in Modelsim or ActiveHDL tools.
cpri_lowlatency_eval\ <username&gt;\impl\*< td=""> <td></td> <td>Yes</td> <td>All files in the folder are evaluation implementation Diamond project files for core only project and reference top project. *.lpf files are for evaluation project timing constraint.</td> </username&gt;\impl\*<>		Yes	All files in the folder are evaluation implementation Diamond project files for core only project and reference top project. *.lpf files are for evaluation project timing constraint.
<b>LFESUM CPRI Core Files</b>			
<username>_PCS.lpc			This is for CPRI PCS/SERDES model generation.
\cpri_lowlatency_eval\cpri_c0\src\params\cpri_defines.v	Yes		This file provides user options of the IP for the simulation models.
phy_wrap.v	Yes		This file provides CPRI PHY obfuscated file for RTL simulation.
cpri_core_3g_beh.v	Yes		This file provides CPRI core obfuscated file for RTL simulation.
<username>.v/<username>.vhd	Yes	Yes	This file provides CPRI core top wrapper file for RTL simulation and implementation. (.v file if Verilog is selected or .vhd file if VHDL is selected.) The module <username> includes CPRI PHY and CPRI core.
<username>_phy.v	Yes		This file provides CPRI PHY wrapper file for RTL simulation.
<username>_phy_bb.v		Yes	This file has black-box instantiation of the CPRI PHY.
<username>_phy.ngo		Yes	This file provides the synthesized CPRI PHY.
<username>_core.v	Yes		This file provides CPRI core wrapper file for RTL simulation.
<username>_core_bb.v		Yes	This file has black-box instantiation of the CPRI core.
<username>_core.ngo		Yes	This file provides the synthesized CPRI core.
pmi_ram_*.ngo		Yes	This file provides the synthesized RAM files.
cpri_lowlatency_eval\models\ecp5u\frm_ram_256x40.v	Yes		This is a ram RTL file.
cpri_lowlatency_eval\models\ecp5u\ <username&gt;_pcs.v< td=""> <td>Yes</td> <td></td> <td>This is a PCS/SERDES RTL file.</td> </username&gt;_pcs.v<>	Yes		This is a PCS/SERDES RTL file.
cpri_lowlatency_eval\models\ecp5u\rsl_core.v	Yes	Yes	This is a PCS/SERDES reset sequence logic RTL file.

**Table 4.1. File List** (continued)

File	Simulation	Synthesis	Description
cpri_lowlatency_eval\testbench\*	Yes		All files in the folder are test bench files for evaluation simulation.
cpri_lowlatency_eval\ <username&gt;\sim\*< td=""> <td>Yes</td> <td></td> <td>All files in the folder are simulation script files (*.do) for RTL level evaluation simulation and gate level evaluation simulation. The .do files can be launched in Modelsim or ActiveHDL tools.</td> </username&gt;\sim\*<>	Yes		All files in the folder are simulation script files (*.do) for RTL level evaluation simulation and gate level evaluation simulation. The .do files can be launched in Modelsim or ActiveHDL tools.
cpri_lowlatency_eval\ <username&gt;\impl\*< td=""> <td></td> <td>Yes</td> <td>All files in the folder are evaluation implementation Diamond project files for core only project and reference top project. *.lpf files are for evaluation project timing constraint.</td> </username&gt;\impl\*<>		Yes	All files in the folder are evaluation implementation Diamond project files for core only project and reference top project. *.lpf files are for evaluation project timing constraint.

These are all of the files necessary to implement and verify the CPRI IP core in your own top-level design. The following additional files providing IP core generation status information are also generated in the “Project Path” directory:

- <username>\_generate.log – Diamond or ispLEVER synthesis and map log file.
- <username>\_gen.log – IPexpress IP generation log file.

The \<cpri\_lowlatency\_eval> and subtending directories provide files supporting the CPRI IP core evaluation. The \<cpri\_lowlatency\_eval> directory contains files/folders with content that is constant for all configurations of the CPRI IP core. The \<username> subfolder contains files/folders with content specific to the username configuration.

The \<cpri\_lowlatency\_eval> directory is created by IPexpress the first time the core is generated and updated each time the core is regenerated. A \<username> directory is created by IPexpress each time the core is generated and regenerated each time the core with the same file name is regenerated. A separate \<username> directory is generated for cores with different names, e.g. \<my\_core\_0>, \<my\_core\_1>, etc.

## 4.4. Instantiating the Core

For ECP3 CPRI, the generated CPRI IP core package includes black-box (<username>\_bb.v) and instance (<username>\_inst.v) templates that can be used to instantiate the core in a top-level design. For LFESUM CPRI, the generated CPRI IP core package includes a top file (<username.v/username.vhd>), black-box (<username>\_phy\_bb.v and <username>\_core\_bb.v) that can be used to instantiate the core in a top-level design. Two example RTL top level reference source files are provided in \<project\_dir>\cpri\_lowlatency\_eval\

The top-level file cpri\_reference\_top.v is the same top-level that is used in the simulation model described in the next section. Users may use this top-level reference as the starting template for the top level for their complete design. Included in cpri\_reference\_top.v are logic, memory and clock modules supporting a driver/monitor module capability, a register module supporting programmable control of the CPRI core and system processor interface via SCI bus.

Verilog source RTL for these modules are provided in

\<project\_dir>\cpri\_lowlatency\_eval\

\<project\_dir>\cpri\_lowlatency\_eval\Register Descriptions section.

The top-level file cpri\_CORE\_ONLY\_top.v supports the ability to implement just the CPRI core itself. This design is intended only to provide an accurate indication of the device utilization associated with the CPRI core and should not be used as an actual implementation example.

## 4.5. Running Functional Simulation

The functional simulation includes a configuration-specific behavioral model of the CPRI IP Core that is instantiated in an FPGA top level along with a user-side driver/monitor module and register implementation module. The top-level file supporting ModelSim evaluation simulation is provided in

`\<project_dir>\cpri_lowlatency_eval\<username>\src`. This FPGA top is instantiated in an evaluation testbench provided in `\<project_dir>\cpri_lowlatency_eval\testbench` that configures FPGA test logic registers and CPRI IP core control and status registers via an included test file `testcase.v` provided in `\<project_dir>\cpri_lowlatency_eval\testbench\ tests`. Note the user can edit the `testcase.v` file to configure and monitor whatever registers they desire.

Users may run the evaluation simulation by doing the following.

### 4.5.1. Using Aldec Active-HDL

To run the evaluation simulation using Active HDL:

1. Open Active-HDL.
2. Under the Tools tab, select **Execute Macro**.
3. Browse to folder `\<project_dir>\cpri_lowlatency_eval\<username>\sim\aldec` and execute one of the “do” scripts shown.

### 4.5.2. Using Mentor Graphics ModelSim

To run the evaluation simulation using ModelSim:

1. Open ModelSim.
2. Under the File tab, select **Change Directory** and choose folder `\<project_dir>\cpri_lowlatency_eval\<username>\sim\modelsim`.
3. Under the Tools tab, select **Execute Macro** and execute one of the “do” scripts shown.

The simulation waveform results will be displayed in the simulator Wave window.

For 5G version, only 4915.2 MHz line rate is supported for evaluation simulation. For 3G version, four different evaluation simulations are provided with the CPRI IP core:

- Evaluation simulation using rate 614.4 MHz as the line rate
- Evaluation simulation using rate 1228.8 MHz as the line rate.
- Evaluation simulation using rate 2457.6 MHz as the line rate.
- Evaluation simulation using rate 3072 MHz as the line rate.

All of the simulations configure the CPRI and PCS/SERDES registers and wait for the receiver to synchronize with the incoming link. The following tests are then run:

- Verify that the receiver has no IQ data errors for one frame.
- Verify that the receiver has no vendor specific data errors for one frame.
- Verify that the receiver has no Ethernet data errors for one frame.
- Verify that the receiver has no HDLC data errors for one frame.

The procedure for running gate-level timing simulation is equivalent to that for running RTL functional simulation. After opening Active-HDL or ModelSim, the user executes one of the “do” scripts in the corresponding `\sim\aldec\gate` or `\sim\modelsim\gate` directory. Note that for VHDL gate netlist simulation, it is recommended to start with an empty work library.

## 4.6. Synthesizing and Implementing the Core in a Top-Level Design

The CPRI IP core itself is synthesized and provided in NGO format when the core is generated. Users may synthesize the core in their own top-level design by instantiating the core in their top level as described previously and then synthesizing the entire design with Synplify or RTL Synthesis.

Two example RTL top-level configurations supporting CPRI core top-level synthesis and implementation are provided with the CPRI IP core in `\<project_dir>\cpri_lowlatency_eval\<username>\impl\`.

The top-level file `cpri_core_only_top.v` provided in

`\<project_dir>\cpri_lowlatency_eval\<username>\src\rtl\top` supports the ability to implement just the CPRI core. This design is intended only to provide an accurate indication of the device utilization associated with the core itself and should not be used as an actual implementation example. The top-level file `cpri_reference_top.v` provided in `\<project_dir>\cpri_lowlatency_eval\<username>\src\rtl\top` supports the ability to instantiate, simulate, map, place and route the Lattice CPRI IP core in a complete example design. This reference design basically provides a CPRI driver/monitor on the client side of the core in an FPGA top-level file that contains the CPRI IP core and the driver/monitor. This is the same configuration that is used in the evaluation simulation capability described previously.

Note that implementation of the reference evaluation configuration is targeted to a specific device and package type for each device family (LatticeECP3 and ECP5). Specifically:

- LatticeECP3: LFE3-95E-7FN1156CES
- ECP5: LFE5UM-85F-7MG381C (for 3G version)
- ECP5: LFE5UM5G-45F-8BG381C (for 5G version)

Push-button implementation of both top-level configurations is supported via the ispLEVER project files, `<username>_reference_eval.syn` and `<username>_core_only_eval.syn`. These files are located in `\<project_dir>\cpri_lowlatency_eval\<username>\impl\<configuration>`.

To use this project file in Diamond:

1. Choose **File > Open > Project**.
2. Browse to `\<project_dir>\cpri_lowlatency_eval\<username>\impl\synplify` (or `precision`) in the Open Project dialog box.
3. Select and open `<username>.ldf`. At this point, all of the files needed to support top-level synthesis and implementation will be imported to the project.
4. Select the Process tab in the left-hand GUI window.
5. Implement the complete design via the standard Diamond GUI flow.

## 4.7. Hardware Evaluation

The CPRI IP core supports Lattice's IP hardware evaluation capability, which makes it possible to create versions of the IP core that operate in hardware for a limited period of time (approximately four hours) without requiring the purchase of an IP license. It may also be used to evaluate the core in hardware in user-defined designs.

### 4.7.1. Enabling Hardware Evaluation in Diamond

Choose **Project > Active Strategy > Translate Design Settings**. The hardware evaluation capability may be enabled/disabled in the Strategy dialog box. It is enabled by default.

## 4.8. Updating/Regenerating the IP Core

By regenerating an IP core with the IPexpress tool, you can modify any of its settings including device type, design entry method, and any of the options specific to the IP core. Regenerating can be done to modify an existing IP core or to create a new but similar one.

### 4.8.1. Regenerating an IP Core in IPexpress Tool

To regenerate an IP core in IPexpress:

1. In IPexpress, choose **Tools > Regenerate IP/Module**.
2. In the Select a Parameter File dialog box, choose the Lattice Parameter Configuration (.lpc) file of the IP core to regenerate, and click **Open**.
3. The Select Target Core Version, Design Entry, and Device dialog box shows the current settings for the IP core in the Source Value box. Make your new settings in the Target Value box.
4. If you want to generate a new set of files in a new location, set the location in the LPC Target File box. The base of the .lpc file name will be the base of all the new file names. The LPC Target File must end with an .lpc extension.
5. Click **Next**. The IP core's dialog box opens showing the current option settings.
6. In the dialog box, choose desired options. To get information about the options, click **Help**. Also, check the About tab in the IPexpress tool for links to technical notes and user guides. The IP core might come with additional information. As the options change, the schematic diagram of the IP core changes to show the I/O and the device resources the IP core will need.
7. Click **Generate**.
8. Click the Generate Log tab to check for warnings and error messages.

### 4.8.2. Regenerating an IP Core in Clarity Designer Tool

To regenerate an IP core in Clarity Designer:

Option 1

1. In the Clarity Designer Builder window, right-click on the existing IP instance and choose **Config**.

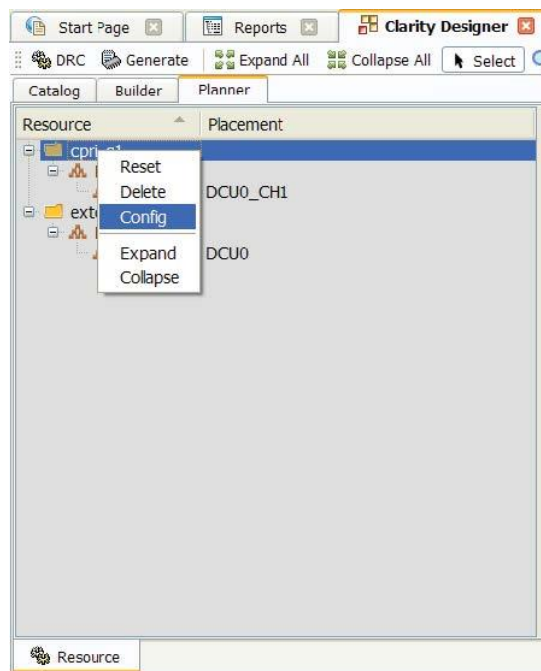


Figure 4.7. Clarity Designer Builder Window

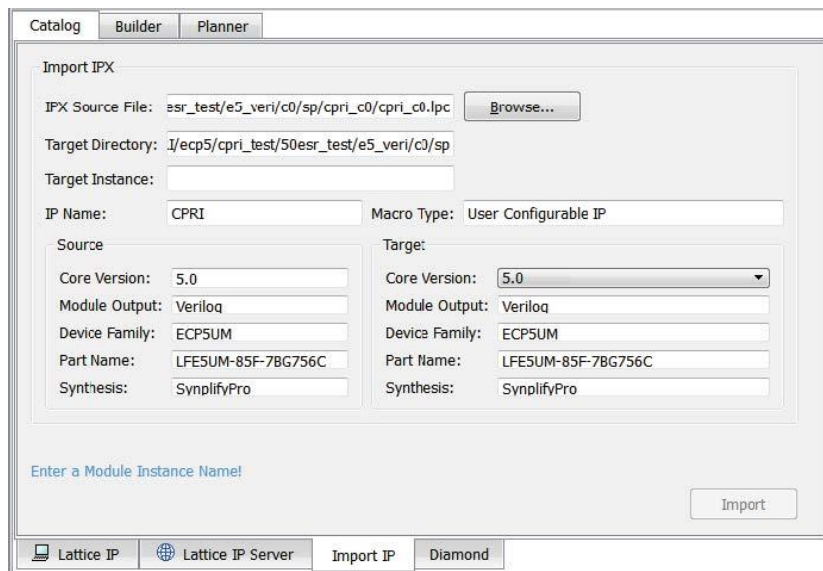
- In the dialog box, choose the desired options.

For more information about the options, click **Help**. You may also click the About tab in the Clarity Designer window for links to technical notes and user guides. The IP may come with additional information. As the options change, the schematic diagram of the module changes to show the I/O and the device resources the module will need.

- Click **Configure**.

#### Option 2

- In the Clarity Designer Catalog window, click the Import IP tab at the bottom.
- In the Import IP tab, click **Browse** to choose the IPX/LPC source file of the module or IP to regenerate.



**Figure 4.8. Clarity Designer Catalog Window**

- Specify the instance name in Target Instance. Note that this instance name should not be the same as any of the existing IP instances in the current Clarity Design project.
- Click **Import**. The module's dialog box opens showing the option settings.
- In the dialog box, choose the desired options.  
For more information about the options, click **Help**. You may also click the About tab in the Clarity Designer window for links to technical notes and user guides. The IP may come with additional information. As the options change, the schematic diagram of the module changes to show the I/O and the device resources the module will need.
- Click **Configure**.

## 5. Application Support

This section provides application support information for the CPRI IP core.

### 5.1. CPRI IP Top-Level Reference Design

**Note:** A top-level reference design is available for user evaluation. This reference design is also described in detail in [CPRI IP Core Low Latency Variation Design Considerations User’s Guide \(IPUG74\)](#).

Included with the CPRI IP core is a reference top-level file, `cpri_reference_top.v`, which designers may use as the starting template for the top-level for their complete design. Included in `cpri_reference_top.v` are logic, memory and clock modules supporting a driver/monitor module capability, a register module supporting programmable control of the system processor interface. Verilog source RTL for these modules are provided in

`\<project_dir>\cpri_lowlatency_eval\<username>\src\rtl\template`. The top-level configuration is specified via the parameters defined in the `cpri_defines.v` file in

`\<project_dir>\cpri_lowlatency_eval\<username>\src\params`.

The constraints files provided are for a specific device, package type, and minimum speed grade for each device family supported. These values are shown in [Table 5.1](#).

**Table 5.1. Supported Devices for Reference Design**

Device Family	Device	Package	Minimum Speed Grade
LatticeECP3	LFE3-95EA	1156-ball fpBGA	-7
ECP5(for 3G)	LFE5UM-85F	756-ball fpBGA	-7
ECP5(for 5G)	LFE5UM5G-45F	381-ball CABGA	-8

#### 5.1.1. Test Bench

The template logic shown in [Figure 2.4](#) on page 11 which is delivered with the IP core, contains the REC configuration. A sample user application (to be removed and replaced with your own application) is included along with the sample top-level. The user application logic, which is delivered in the template, includes circuitry which can be used to test the CPRI IP core. This circuitry consists of pseudo-random number generators for the fast and slow C&M channels, as well as circuits which insert numbered words into the user IQ data and the vendor specific channels. The delivery also includes a testbench that connects the top-level template logic as an REC interface, and has test data being sent from the transmitter to the receiver, as shown in [Figure 5.1](#).



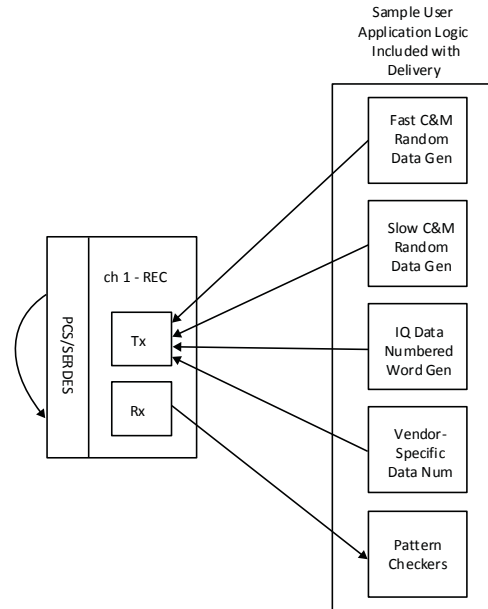


Figure 5.1. Pattern Generators and Checkers Included with Delivered IP Core Testbench (One Direction Shown)

### 5.1.2. Register Descriptions

There are no user accessible registers within the core. All control and status appear as internal I/O at the core boundary. For none-5G version, registers are provided at the top (template) level to drive and monitor all the control and status that interfaces with the core. These registers are shown in Table 5.2. Additional registers supporting the low latency core configuration are described in IPUG74, [CPRI IP Core Low Latency Variation Design Considerations User's Guide](#).

Table 5.2. CPRI Testbench Register Map

Register Name	Register Address	Bit Position	Bit Name	Description
CPRI Control 0	0x800	4:0	lbr[1:0] – Line Bit Rate Control For maximum CPRI line rate enabled by user  FORCE_SM_STANDBY – Forces startup state machine to standby  PCS_SERDES_RATE[1:0] – Line rate supported by PCS/SERDES	00 = 614.4 MHz 01 = 1228.8 MHz 10 = 2457.6 MHz 11 = 2457.6 MHz  zero to one transition  00 = 614.4 MHz 01 = 1228.8 MHz 10 = 2457.6 MHz 11 = 2457.6 MHz
CPRI Control 1	0x801	1:0	TX_L1_SDI TX_L1_RAI	SAP defect indication and remote action indication
CPRI Control 2	0x802	5:0	TX_BFN_RST_EN TX_HYP_RST_EN HDLC_1920_EN HDLC_960_EN HDLC_480_EN HDLC_240_EN	Enable = 1 Disable = 0

**Table 5.2. CPRI Testbench Register Map** *(continued)*

Register Name	Register Address	Bit Position	Bit Name	Description
CPRI Control 3	0x803	5:0	TX_ETH_POINTER	Tx Ethernet pointer value
CPRI Control 4	0x804	0	TX_L1_RST_RQSTACK	Source for down link reset request or up link reset acknowledge
CPRI Error Reg 0	0x805	7:5,3:0	RX_LOF RX_LOS VER_NUM_ERR PRO_INTRUPT RX_ETH_FULL RX_ETH_EMPTY TX_ETH_FULL TX_ETH_EMPTY	Rx loss of frame Rx loss of signal Version number error bit Processor interrupt Ethernet FIFO error bits
CPRI Status Reg 0	0x806	1:0	RATE_MODE	Final negotiated line bit rate
CPRI Status Reg 1	0x807	7:0	RX_LOF RX_LOS VER_NUM_ERR RX_L1_LOF RX_L1_LOS RX_L1_SDI RX_L1_RAI RX_L1_RST_RQSTACK	Rx loss of frame Rx loss of signal Version number error bit Received L1 inband protocol bits of byte Z.130.0
VERSION Reg	0x808	7:0	RX_L1_VER_NUM	Received L1 inband protocol bits of byte Z.2.0
CPRI Status Reg 2	0x809	5:0	RX_L1_ETH_POINTER	Received L1 inband protocol bits of byte Z.194.0
CPRI Status Reg 3	0x80a	6:4, 2:0	RX_L1_HDLC_MODE[2:0] TX_HDLC_MODE[2:0]	Received L1 inband protocol bits of byte Z.66.0 Final negotiated HDLC bit rate
CPRI Status Reg 4	0x80b	2:0	CPRI_STUP_STATE	CPRI start up state
Test Control	0x80c	1:0	7 – Core reset, used if core reset port is not connected to GSR 1 – TEST_MD Test mode, 1 = short time 0 – REC_MD, REC mode, 1 = REC, 0 = RE	
Test Loop Data Error Reg	0x80d	3:0	Rx_hdlc_pdo_da_err Vendor_pdo_da_err Rx_iq_da_err Rx_eth_pdo_da_err	Test bench check loop back data errors

**Table 5.2. CPRI Testbench Register Map** *(continued)*

Register Name	Register Address	Bit Position	Bit Name	Description
TB_CNTRL	0x80E	0	TB_CNTRL [0]	If 0: Check IQ data based on Numbered Word Gen. If 1: Fill data message with value in register TB_RXIQ
		1	TB_CNTRL [1]	If 0: Check VENDOR Data based on Data Num. If 1: Fill data message with value in register TB_RXVEND
		2	TB_CNTRL [2]	If 0: Check ETHR C/M based on random Data Gen. If 1: Fill ETHR C/M with value in register TB_RXETHR
		3	TB_CNTRL [3]	If 0: Check HDLC C/M based on random Data Gen. If 1: Fill HDLC C/M with value in register TB_RXHDLC
		4	TB_CNTRL [4]	If 0: Generate IQ data based on Numbered Word Gen. If 1: Fill data message with value in register TB_TXIQ
		5	TB_CNTRL [5]	If 0: Generate VENDOR data based on Data Num. If 1: Fill data message with value in register TB_TXVEND
		6	TB_CNTRL [6]	If 0: Generate ETHR C/M based on random Data Gen. If 1: Fill ETHR C/M with value in register TB_TXETHR
		7	TB_CNTRL [7]	If 0: Generate HDLC C/M based on random Data Gen. If 1: Fill HDLC C/M with value in register TB_TXHDLC
TB_TXHDLC	0x80F	7:0	TB_TXHDLC	This byte is used to fill HDLC messages when TB_CNTRL [7] is set to 1.
TB_TXETHR	0x810	7:0	TB_TXETHR	This byte is used to fill ETHR messages when TB_CNTRL [6] is set to 1.
TB_TXVEND	0x811	7:0	TB_TXVEND	This byte is used to fill VEND messages when TB_CNTRL [5] is set to 1.
TB_TXIQ	0x812	7:0	TB_TXIQ	This byte is used to fill IQ messages when TB_CNTRL [4] is set to 1.
TB_RXHDLC	0x813	7:0	TB_RXHDLC	This byte is used to check HDLC messages when TB_CNTRL [3] is set to 1.
TB_RXETHR	0x814	7:0	TB_RXETHR	This byte is used to check ETHR messages when TB_CNTRL [2] is set to 1.

**Table 5.2. CPRI Testbench Register Map** *(continued)*

Register Name	Register Address	Bit Position	Bit Name	Description
TB_RXVEND	0x815	7:0	TB_RXVEND	This byte is used to check VEND messages when TB_CNTRL [1] is set to 1.
TB_RXIQ	0x816	7:0	TB_RXIQ	This byte is used to check IQ messages when TB_CNTRL [0] is set to 1.
TB_HDLC_CNT_HB	0x900	7:0	TB_HDLC_CNT [15:8]	HDLC message bit error counter, high byte. A read of this register latches both bytes and clears the internal counter. The internal counter freezes at maximum count.
TB_HDLC_CNT_LB	0x901	7:0	TB_HDLC_CNT [7:0]	HDLC message bit error counter, low byte.
TB_ETHR_CNT_HB	0x902	7:0	TB_ETHR_CNT [15:8]	ETHR message bit error counter, high byte. A read of this register latches both bytes and clears the internal counter. The internal counter freezes at maximum count.
TB_ETHR_CNT_LB	0x903	7:0	TB_ETHR_CNT [7:0]	ETHR message bit error counter, low byte.
TB_VEND_CNT_HB	0x904	7:0	TB_VEND_CNT [15:8]	VEND message bit error counter, high byte. A read of this register latches both bytes and clears the internal counter. The internal counter freezes at maximum
TB_VEND_CNT_LB	0x905	7:0	TB_VEND_CNT [7:0]	VEND message bit error counter, low
TB_IQ_CNT_HB	0x906	7:0	TB_IQ_CNT [15:8]	IQ message bit error counter, high byte. A read of this register latches both bytes and clears the internal counter. The internal counter freezes at maximum
TB_IQ_CNT_LB	0x907	7:0	TB_IQ_CNT [7:0]	IQ message bit error counter, low byte.
TB_ERRINJ	0x817	0	TB_ERRINJ [0]	Inject an IQ message bit error each time this bit is changed from 0 to 1
		1	TB_ERRINJ [1]	Inject an VEND message bit error each time this bit is changed from 0 to 1
		2	TB_ERRINJ [2]	Inject an ETHR message bit error each time this bit is changed from 0 to 1
		3	TB_ERRINJ [3]	Inject an HDLC message bit error each time this bit is changed from 0 to 1.
		7:4	UNUSED	UNUSED
SUBCH_SAMPLE	0x818	7:0	SUBCH_SAMPLE	The CPRI Design will sample bit 0 of 0x00818 and initiate a memory sample of all the 64 subchannels when that bit is 1. When the CPRI Design memory sample is done, the CPRI Design will clear 0x00818.

**Table 5.2. CPRI Testbench Register Map** *(continued)*

Register Name	Register Address	Bit Position	Bit Name	Description
SUBCH_MEM	0x819	7:0	SUBCH_MEM	When the CPRI Design clears 0x00818, the first byte (OFFSET=0) of the sampled 1024 SUBCHANNEL BYTES will be available at 0x819. Once a read access is performed on 0x819 to sample OFFSET Byte 0, the next available byte (OFFSET=1) will be available at 0x819 for the subsequent read access. Subsequent read accesses will access the subsequent bytes of SUBCH_MEM.
TB_ETH_IDLE_HB	0x81A	5:0	TB_ETH_IDLE_SIZE_HB	Testbench Ethernet Idle size High Byte - This is the upper 6 bits of a constant used to set the number of nibbles of idle in the ethernet message generated by the testbench.
TB_ETH_IDLE_LB	0x81B	7:0	TB_ETH_IDLE_SIZE_LB	Testbench Ethernet Idle size Low Byte - This is the lower 8 bits of a constant used to set the number of nibbles of idle in the ethernet message generated by the testbench.
TB_ETH_DATA_HB	0x81C	5:0	TB_ETH_DATA_SIZE_HB	Testbench Ethernet Data size High Byte - This is the upper 6 bits of a constant used to set the number of nibbles of data in the ethernet message generated by the testbench.
TB_ETH_DATA_LB	0x81D	7:0	TB_ETH_DATA_SIZE_LB	Testbench Ethernet Data size Low Byte - This is the lower 8 bits of a constant used to set the number of nibbles of data in the ethernet message generated by the testbench.

## References

Complete details on the CPRI IP core low latency configuration are provided in IPUG74, [CPRI IP Core Low Latency Variation Design Considerations User's Guide](#).

For additional information, refer to:

- DS1021, [LatticeECP3 Family Data Sheet](#)
- FPGA-DS-02012 (previously DS1044), [ECP5 and ECP5-5G Family Data Sheet](#)
- JEDEC Standard, Serial Interface for Data Converters, JESD204B.01, July 2012, [www.jedec.org](http://www.jedec.org)

## Technical Support Assistance

Submit a technical support case through [www.latticesemi.com/techsupport](http://www.latticesemi.com/techsupport).

## Appendix A. Resource Utilization

This appendix provides resource utilization information for Lattice FPGAs using the CPRI IP core.

IPexpress is the Lattice IP configuration utility, and is included as a standard feature of the Diamond and ispLEVER design tools. Details regarding the usage of IPexpress can be found in the IPexpress and Diamond or ispLEVER help system. For more information on the Diamond design tools, visit the Lattice website at [www.latticesemi.com//Products/DesignSoftware](http://www.latticesemi.com//Products/DesignSoftware).

### LatticeECP3-FPGAs

**Table A.1. Resource Utilization\***

Mode	Slices	LUTs	Registers	sysMEM EBRs
Serial	1139	1359	1522	4
Matched	1342	1714	1632	2
Fixed	1433	1848	1691	6

\***Note:** Performance and utilization data are generated targeting an LFE3-95E-7FN1156CES device using Lattice Diamond 3.2 and Synplify Pro for Lattice I-2013.09L-SP1-1 software. Performance may vary when using a different software version or targeting a different device density or speed grade within the LatticeECP3 family.

#### Ordering Part Number

The Ordering Part Number (OPN) for the CPRI IP core targeting LatticeECP3 devices is CPRI-E3-U4.

### ECP5 FPGAs (for 3G Version)

**Table A.2. Resource Utilization\***

Mode	Slices	LUTs	Registers	sysMEM EBRs
Serial	1235	1517	1480	4
Matched	1452	1861	1590	2
Fixed	1473	1980	1646	6

\***Note:** Performance and utilization data are generated targeting an LFE5UM-85F-7BG756C device using Lattice Diamond 3.2 and Synplify Pro for Lattice I-2013.09L-SP1-1 software. Performance may vary when using a different software version or targeting a different device density or speed grade within the ECP5UM family.

#### Ordering Part Number

The Ordering Part Number (OPN) for the CPRI IP core targeting LFE5UM devices is CPRI-E5-U and CPRI-E5-UT.

### ECP5 FPGAs (for 5G Version)

**Table A.3. Resource Utilization\***

Mode	Slices	LUTs	Registers	sysMEM EBRs
Serial	952	1033	1036	4
Matched	1150	1314	1162	2
Fixed	1315	1548	1224	6

#### Ordering Part Number

The Ordering Part Number (OPN) for the CPRI IP core targeting LFE5UM devices is CPRI-E5G-U and CPRI-E5G-UT.

## Revision History

Date	Document Version	IP Core Version	Change Summary
July 2017	2.8	1.0 (for 5G version)	Changed document number from IPUG56 to FPGA-IPUG-02029.
			Updated document template.
			Updated supported Diamond version in <a href="#">Table 1.2</a> , CPRI IP Core Quick Facts (5G Version)
			Updated <a href="#">Table 2.1</a> , CPRI I/O Signal Descriptions. <ul style="list-style-type: none"> <li>Revised lbr_en description</li> <li>Revised pcs_serdes_rate and rate_mode Width (Bits)</li> </ul>
			Corrected LatticeECP3 device in <a href="#">Table 5.1</a> , Supported Devices for Reference Design.
October 2016	2.7	Beta (for 5G version)	Updated <a href="#">Table 1.2</a> , CPRI IP Core Quick Facts (5G Version). Changed the FPGA family to ECP5-5G and the Diamond version to 3.8.
			Changed heading to ECP5/ECP5-5G in the References section.
			Corrected IP Core Version in Revision History.
	2.6	Beta (for 5G version)	Added support for 4.9152 Gbps line rate. General updates in all chapters.
April 2014	02.5	5.0asr	General updates in all chapters.
	02.4	5.0asr	Added support for Diamond 3.2.
			Added support for ECP5 device family.
			Updated document with new corporate logo. Updated Lattice Technical Support information.
September 2010	02.3	3.3	Added support for Diamond software throughout.
			Added new content in <a href="#">IP Core Generation</a> .
June 2010	02.2	3.2	Divided the document into chapters and added table of contents.
			Added Quick Facts tables in <a href="#">Introduction</a> .
			Added new content in <a href="#">IP Core Generation</a> .
November 2009	02.1	3.2	Updated LatticeECP3 3G line rate TX HDLC support.
			Updated utilization tables with ispLEVER 8.0.
May 2009	02.0	3.0	Updated to include LatticeECP3 and 3G line rate support.
			Updated for enhanced fast C&M packet check for Fixed Ethernet mode, and support for back-to-back Ethernet packet in the CPRI link.
September 2008	01.9	2.7	Updated <a href="#">Introduction</a> text section.
August 2008	01.8	2.7	Updated <a href="#">Figure 2.9</a> , Rx IQ Interface Data and Frame Number Alignment diagram.





Revision History (continued)

Date	Document Version	IP Core Version	Change Summary
August 2008	01.7	2.7	Updated <a href="#">Introduction</a> section to include information regarding the v3.0 CPRI specification, requirement R-31 (line rate auto-negotiation).
			Removed the Core Generation text section.
			Removed the Instantiating the Core text section.
			Removed the Running Functional Simulation text section.
			Removed the Synthesizing and Implementing the Core in a Top-Level Design text section.
			Removed the Hardware Evaluation text section.
June 2008	01.6	2.7	Included information for Aldec, ModelSim, mixed mode, and rtl/gate simulation.
			Added information for low latency variation IP configuration.
May 2008	01.5	2.7	Added information for txrst and rxrst to Signal Descriptions table.
			Added information about using this IP core with the Linux operating system.
September 2007	01.4	2.4	References to tx_eth_pointer[7:0] replaced with tx_eth_pointer[5:0].
July 2007	01.3	2.3	Updated LatticeSC/M and LatticeECP2M/S appendices.
			Added support for LatticeECP2MS.
April 2007	01.2	2.2	Input lbr_en was expanded from 2 bits to 4 bits. The additional three bits provide two functions. Function 1: Adds the ability to force the Startup state machine to the standby state. Function 2: Adds the ability to tell the core which rate the PCS/SERDES supports. These functions were added to make the rate selection process work properly.
January 2007	01.1	2.0	Updated to include LatticeECP2M.
September 2006	01.0	1.0	Initial release.



7<sup>th</sup> Floor, 111 SW 5<sup>th</sup> Avenue  
Portland, OR 97204, USA  
T 503.268.8000  
[www.latticesemi.com](http://www.latticesemi.com)

## X-ON Electronics

Largest Supplier of Electrical and Electronic Components

*Click to view similar products for [Development Software](#) category:*

*Click to view products by [Lattice](#) manufacturer:*

Other Similar products are found below :

[RAPPID-560XBSW](#) [RAPPID-567XFSW](#) [DG-ACC-NET-CD](#) [SRP004001-01](#) [SW006021-1NH](#) [SW163052](#) [SYSWINEV21](#) [Core429-SA](#)  
[SW500006-HPA](#) [CWP-BASIC-FL](#) [W128E13](#) [CWP-PRO-FL](#) [SYSMACSE210L](#) [SYSMACSE203L](#) [AD-CCES-NODE-1](#) [NT-ZJCAT1-EV4](#)  
[CWA-BASIC-FL](#) [RAPPID-567XKSW](#) [CWA-STANDARD-R](#) [SW89CN0-ZCC](#) [CWA-LS-DVLPR-NL](#) [VDSP-21XX-PCFLOAT](#) [RAPPID-](#)  
[563XMSW](#) [IPS-EMBEDDED](#) [SWR-DRD-L-01](#) [SDAWIR-4532-01](#) [SYSMAC-SE201L](#) [MPROG-PRO535E](#) [AFLCF-08-LX-CE060-R21](#)  
[WS02-CFSC1-EV3-UP](#) [SYSMAC-STUDIO-EIPCPLR](#) [LIB-PL-PC-N-1YR-DISKID](#) [SYSMACSE2XXL](#) [LS1043A-SWSP-PRM](#) [1120270005](#)  
[1120270006](#) [MIKROBASIC PRO FOR FT90X \(USB DONGLE\)](#) [MIKROC PRO FOR AVR \(USB DONGLE LICENSE\)](#) [MIKROC PRO FOR](#)  
[FT90X \(USB DONGLE\)](#) [MIKROBASIC PRO FOR AVR \(USB DONGLE LICEN](#) [MIKROBASIC PRO FOR FT90X](#) [MIKROC PRO FOR](#)  
[DSPIC30/33 \(USB DONGLE LI](#) [MIKROC PRO FOR FT90X](#) [MIKROC PRO FOR PIC32 \(USB DONGLE LICENSE](#) [52202-588](#)  
[MIKROPASCAL PRO FOR ARM \(USB DONGLE LICE](#) [MIKROPASCAL PRO FOR FT90X](#) [MIKROPASCAL PRO FOR FT90X \(USB](#)  
[DONGLE\)](#) [MIKROPASCAL PRO FOR PIC32 \(USB DONGLE LI](#) [SW006021-2H](#)