



ispLSI[®] 1048C Device Datasheet

September 2010

All Devices Discontinued!

Product Change Notifications (PCNs) have been issued to discontinue all devices in this data sheet.

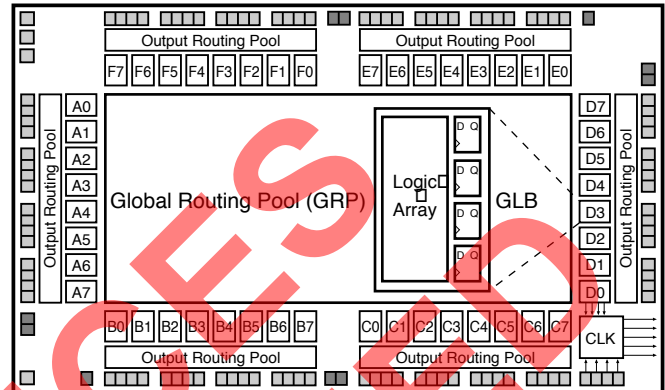
The original datasheet pages have not been modified and do not reflect those changes. Please refer to the table below for reference PCN and current product status.

Product Line	Ordering Part Number	Product Status	Reference PCN
ispLSI 1048C	ispLSI 1048C-50LQ	Discontinued	PCN#13-10
	ispLSI 1048C-70LQ		
	ispLSI 1048C-50LQI		PCN#05A-10
	ispLSI 1048C-50LG/883 5962-9558701MXC		

Features

- **HIGH-DENSITY PROGRAMMABLE LOGIC**
 - 8000 PLD Gates
 - 96 I/O Pins, 12 Dedicated Inputs, 2 Global Output Enables
 - 288 Registers
 - High-Speed Global Interconnect
 - Wide Input Gating for Fast Counters, State Machines, Address Decoders, etc.
 - Small Logic Block Size for Random Logic
 - Security Cell Prevents Unauthorized Copying
- **HIGH PERFORMANCE E²CMOS[®] TECHNOLOGY**
 - $f_{max} = 70$ MHz Maximum Operating Frequency
 - $f_{max} = 50$ MHz for Industrial and Military/883 Devices
 - $t_{pd} = 16$ ns Propagation Delay
 - TTL Compatible Inputs and Outputs
 - Electrically Erasable and Reprogrammable
 - Non-Volatile E²CMOS Technology
 - 100% Tested at Time of Manufacture
- **IN-SYSTEM PROGRAMMABLE**
 - In-System Programmable™ (ISP™) 5-Volt Only
 - Increased Manufacturing Yields, Reduced Time-to-Market, and Improved Product Quality
 - Reprogram Soldered Devices for Faster Debugging
- **COMBINES EASE OF USE AND THE FAST SYSTEM SPEED OF PLDs WITH THE DENSITY AND FLEXIBILITY OF FIELD PROGRAMMABLE GATE ARRAYS**
 - Complete Programmable Device Can Combine Glue Logic and Structured Designs
 - Four Dedicated Clock Input Pins
 - Synchronous and Asynchronous Clocks
 - Flexible Pin Placement
 - Optimized Global Routing Pool Provides Global Interconnectivity

Functional Block Diagram



0139G1A-isp

Description

The ispLSI 1048C is a High-Density Programmable Logic Device containing 288 Registers, 96 Universal I/O pins, 12 Dedicated Input pins, two Global Output Enables (GOE), four Dedicated Clock Input pins and a Global Routing Pool (GRP). The GRP provides complete interconnectivity between all of these elements. The ispLSI 1048C features 5-Volt in-system programming and in-system diagnostic capabilities. It is the first device which offers non-volatile reprogrammability of the logic, and the interconnect to provide truly reconfigurable systems. Compared to the ispLSI 1048, the ispLSI 1048C offers two additional dedicated inputs and two new Global Output Enable pins.

The basic unit of logic on the ispLSI 1048C device is the Generic Logic Block (GLB). The GLBs are labeled A0, A1 .. F7 in figure 1. There are a total of 48 GLBs in the ispLSI 1048C devices. Each GLB has 18 inputs, a programmable AND/OR/XOR array, and four outputs which can be configured to be either combinatorial or registered. Inputs to the GLB come from the GRP and dedicated inputs. All of the GLB outputs are brought back into the GRP so that they can be connected to the inputs of any other GLB on the device.

Absolute Maximum Ratings ¹

Supply Voltage V_{CC} -0.5 to +7.0V
 Input Voltage Applied -2.5 to $V_{CC} + 1.0V$
 Off-State Output Voltage Applied -2.5 to $V_{CC} + 1.0V$
 Storage Temperature -65 to 150°C
 Case Temp. with Power Applied -55 to 125°C
 Max. Junction Temp. (T_J) with Power Applied ... 150°C

1. Stresses above those listed under the “Absolute Maximum Ratings” may cause permanent damage to the device. Functional operation of the device at these or at any other conditions above those indicated in the operational sections of this specification is not implied (while programming, follow the programming specifications).

DC Recommended Operating Conditions

SYMBOL	PARAMETER	MIN.	MAX.	UNITS	
V_{CC}	Supply Voltage	Commercial $T_A = 0^\circ\text{C}$ to $+70^\circ\text{C}$	4.75	5.25	V
		Industrial $T_A = -40^\circ\text{C}$ to $+85^\circ\text{C}$	4.5	5.5	
		Military/883 $T_C = -55^\circ\text{C}$ to $+125^\circ\text{C}$	4.5	5.5	
V_{IL}	Input Low Voltage	0	0.8	V	
V_{IH}	Input High Voltage	2.0	$V_{CC} + 1$	V	

Table 2- 0005Aisp w/mil.eps

Capacitance ($T_A=25^\circ\text{C}$, $f=1.0$ MHz)

SYMBOL	PARAMETER	□□MAXIMUM	UNITS	TEST CONDITIONS	
C_1	Dedicated Input Capacitance	Commercial/Industrial	8	pf	$V_{CC}=5.0V$, $V_{IN}=2.0V$
		Military	10	pf	$V_{CC}=5.0V$, $V_{IN}=2.0V$
C_2	I/O and Clock Capacitance	10	pf	$V_{CC}=5.0V$, $V_{I/O}$, $V_Y=2.0V$	

1. Characterized but not 100% tested.

Table 2- 0006

Data Retention Specifications

PARAMETER	MINIMUM	MAXIMUM	UNITS
Data Retention	20	—	Years
Erase/Reprogram Cycles	10000	—	Cycles

Table 2- 0008B

Switching Test Conditions

Input Pulse Levels	GND to 3.0V
Input Rise and Fall Time	≤ 3ns 10% to 90%
Input Timing Reference Levels	1.5V
Output Timing Reference Levels	1.5V
Output Load	See figure 2

3-state levels are measured 0.5V from steady-state active level.

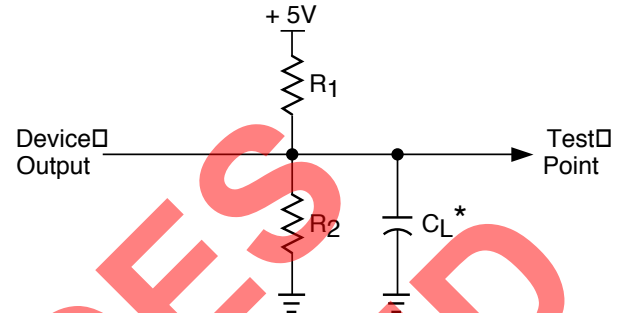
Table 2- 0003

Output Load Conditions (see figure 2)

Test Condition	R1	R2	CL
A	470Ω	390Ω	35pF
B	Active High	∞	390Ω
	Active Low	470Ω	390Ω
C	Active High to Z at $V_{OH} - 0.5V$	∞	390Ω
	Active Low to Z at $V_{OL} + 0.5V$	470Ω	390Ω

Table 2- 0004A

Figure 2. Test Load



* C_L includes Test Fixture and Probe Capacitance.

DC Electrical Characteristics

Over Recommended Operating Conditions

SYMBOL	PARAMETER	CONDITION	MIN.	TYP. ³	MAX.	UNITS	
V_{OL}	Output Low Voltage	$I_{OL} = 8 \text{ mA}$	-	-	0.4	V	
V_{OH}	Output High Voltage	$I_{OH} = -4 \text{ mA}$	2.4	-	-	V	
I_{IL}	Input or I/O Low Leakage Current	$0V \leq V_{IN} \leq V_{IL} \text{ (MAX.)}$	-	-	-10	μA	
I_{IH}	Input or I/O High Leakage Current	$3.5V \leq V_{IN} \leq V_{CC}$	-	-	10	μA	
I_{IL-isp}	ispEN Input Low Leakage Current	$0V \leq V_{IN} \leq V_{IL} \text{ (MAX.)}$	-	-	-150	μA	
I_{IL-PU}	I/O Active Pull-Up Current	$0V \leq V_{IN} \leq V_{IL}$	-	-	-150	μA	
I_{OS}¹	Output Short Circuit Current	$V_{CC} = 5V, V_{OUT} = 0.5V$	-	-	-200	mA	
I_{CC}^{2,4}	Operating Power Supply Current	$V_{IL} = 0.5V, V_{IH} = 3.0V$	Commercial	-	165	235	mA
		$f_{TOGGLE} = 1 \text{ MHz}$	Industrial/Military	-	165	260	mA

- One output at a time for a maximum duration of one second. $V_{out} = 0.5V$ was selected to avoid test problems by tester ground degradation. Characterized but not 100% tested.
- Measured using twelve 16-bit counters.
- Typical values are at $V_{CC} = 5V$ and $T_A = 25^\circ C$.
- Maximum I_{CC} varies widely with specific device configuration and operating frequency. Refer to the Power Consumption section of this datasheet and Thermal Management section of the Lattice Semiconductor Data Book or CD-ROM to estimate maximum I_{CC} .

Table 2- 0007A-48-isp

External Timing Parameters

Over Recommended Operating Conditions

PARAMETER	TEST ⁴ COND.	# ²	DESCRIPTION ¹	-70		-50		UNITS
				MIN.	MAX.	MIN.	MAX.	
t _{pd1}	A	1	Data Propagation Delay, 4PT bypass, ORP bypass	-	16.0	-	22.0	ns
t _{pd2}	A	2	Data Propagation Delay	-	19.0	-	26.0	ns
f _{max} (Int.)	A	3	Clock Frequency with Internal Feedback ³	70.4	-	50.3	-	MHz
f _{max} (Ext.)	-	4	Clock Frequency with External Feedback ($\frac{1}{t_{su2} + t_{co1}}$)	47.6	-	34.5	-	MHz
f _{max} (Tog.)	-	5	Clock Frequency, Max Toggle ($\frac{1}{t_{wh} + t_{wl}}$)	83.3	-	58.8	-	MHz
t _{su1}	-	6	GLB Reg. Setup Time before Clock, 4PT bypass	9.5	-	13.0	-	ns
t _{co1}	A	7	GLB Reg. Clock to Output Delay, ORP bypass	-	10.0	-	14.0	ns
t _{h1}	-	8	GLB Reg. Hold Time after Clock, 4 PT bypass	0	-	0	-	ns
t _{su2}	-	9	GLB Reg. Setup Time before Clock	11.0	-	15.0	-	ns
t _{co2}	-	10	GLB Reg. Clock to Output Delay	-	11.5	-	16.0	ns
t _{h2}	-	11	GLB Reg. Hold Time after Clock	0	-	0	-	ns
t _{r1}	A	12	Ext. Reset Pin to Output Delay	-	15.0	-	20.5	ns
t _{rw1}	-	13	Ext. Reset Pulse Duration	10.0	-	13.5	-	ns
t _{ptoen}	B	14	Input to Output Enable	-	20.0	-	27.5	ns
t _{ptodis}	C	15	Input to Output Disable	-	20.0	-	27.5	ns
t _{goen}	B	16	Global OE Output Enable	-	15.0	-	20.5	ns
t _{goedis}	C	17	Global OE Output Disable	-	15.0	-	20.5	ns
t _{wh}	-	20	Ext. Sync. Clock Pulse Duration, High	6.0	-	8.5	-	ns
t _{wl}	-	21	Ext. Sync. Clock Pulse Duration, Low	6.0	-	8.5	-	ns
t _{su3}	-	22	I/O Reg. Setup Time before Ext. Sync. Clock (Y2, Y3)	2.0	-	3.0	-	ns
t _{h3}	-	23	I/O Reg. Hold Time after Ext. Sync. Clock (Y2, Y3)	6.5	-	9.0	-	ns

1. Unless noted otherwise, all parameters use a GRP load of 4 GLBs, 20 PTXOR path, ORP and Y0 clock.
2. Refer to Timing Model in this data sheet for further details.
3. Standard 16-Bit counter using GRP feedback.
4. Reference Switching Test Conditions section.

Table 2- 0030-48C/70, 50

Internal Timing Parameters¹

PARAMETER	# ²	DESCRIPTION	-70		-50		UNITS
			MIN.	MAX.	MIN.	MAX.	
Inputs							
t _{iobp}	24	I/O Register Bypass	–	3.1	–	4.3	ns
t _{iolat}	25	I/O Latch Delay	–	4.0	–	5.5	ns
t _{iosu}	26	I/O Register Setup Time before Clock	6.5	–	9.1	–	ns
t _{ioh}	27	I/O Register Hold Time after Clock	0.1	–	0.3	–	ns
t _{ioco}	28	I/O Register Clock to Out Delay	–	3.4	–	4.6	ns
t _{ior}	29	I/O Register Reset to Out Delay	–	3.7	–	5.1	ns
t _{din}	30	Dedicated Input Delay	–	5.4	–	7.4	ns
GRP							
t _{grp1}	31	GRP Delay, 1 GLB Load	–	4.5	–	6.2	ns
t _{grp4}	32	GRP Delay, 4 GLB Loads	–	4.9	–	6.7	ns
t _{grp8}	33	GRP Delay, 8 GLB Loads	–	5.8	–	8.0	ns
t _{grp16}	34	GRP Delay, 16 GLB Loads	–	7.6	–	10.5	ns
t _{grp48}	35	GRP Delay, 48 GLB Loads	–	16.5	–	22.7	ns
GLB							
t _{4ptbp}	36	4 Product Term Bypass Path Delay	–	4.0	–	5.5	ns
t _{1ptxor}	37	1 Product Term/XOR Path Delay	–	4.9	–	6.7	ns
t _{20ptxor}	38	20 Product Term/XOR Path Delay	–	5.5	–	7.5	ns
t _{xoradj}	39	XOR Adjacent Path Delay ³	–	6.5	–	8.9	ns
t _{gbp}	40	GLB Register Bypass Delay	–	0.9	–	1.2	ns
t _{gsu}	41	GLB Register Setup Time before Clock	2.9	–	3.9	–	ns
t _{gh}	42	GLB Register Hold Time after Clock	5.3	–	7.3	–	ns
t _{gco}	43	GLB Register Clock to Output Delay	–	1.5	–	2.3	ns
t _{gro}	44	GLB Register Reset to Output Delay	–	2.1	–	2.8	ns
t _{ptre}	45	GLB Product Term Reset to Register Delay	–	8.1	–	11.1	ns
t _{ptoe}	46	GLB Product Term Output Enable to I/O Cell Delay	–	7.0	–	9.6	ns
t _{ptck}	47	GLB Product Term Clock Delay	2.5	6.0	3.4	8.2	ns
ORP							
t _{orp}	48	ORP Delay	–	2.5	–	3.4	ns
t _{orpbp}	49	ORP Bypass Delay	–	1.0	–	1.4	ns

1. Internal Timing Parameters are not tested and are for reference only.

Table 2- 0036-48C/70, 50

2. Refer to Timing Model in this data sheet for further details.

3. The XOR adjacent path can only be used by hard macros.

Internal Timing Parameters¹

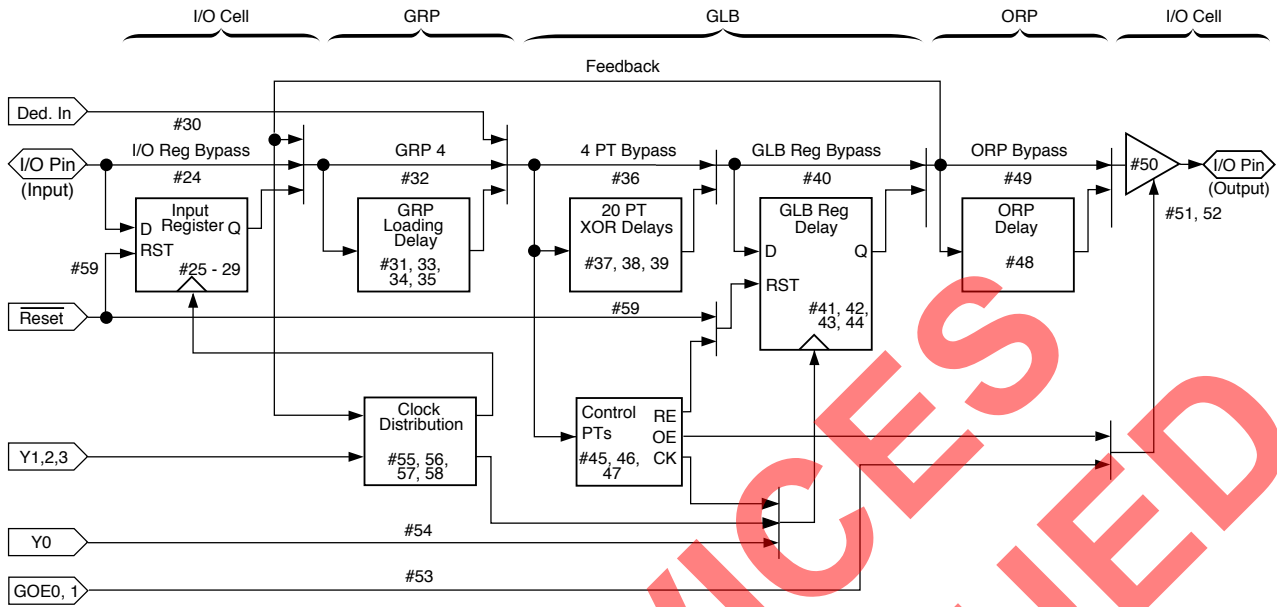
ispLSI 1048C Timing Model

PARAMETER	# ²	DESCRIPTION	-70		-50		UNITS
			MIN.	MAX.	MIN.	MAX.	
Outputs							
t _{ob}	50	Output Buffer Delay	–	2.1	–	2.9	ns
t _{oen}	51	I/O Cell OE to Output Enabled	–	5.0	–	6.9	ns
t _{odis}	52	I/O Cell OE to Output Disabled	–	5.0	–	6.9	ns
t _{goe}	53	Global OE	–	10.0	–	13.6	ns
Clocks							
t _{gy0}	54	Clock Delay, Y0 to Global GLB Clock Line (Ref. clock)	5.4	5.4	7.4	7.4	ns
t _{gy1/2}	55	Clock Delay, Y1 or Y2 to Global GLB Clock Line	4.5	6.4	6.1	8.7	ns
t _{gcp}	56	Clock Delay, Clock GLB to Global GLB Clock Line	1.9	5.5	2.6	7.6	ns
t _{ioy2/3}	57	Clock Delay, Y2 or Y3 to I/O Cell Global Clock Line	4.5	6.4	6.1	8.7	ns
t _{iocp}	58	Clock Delay, Clock GLB to I/O Cell Global Clock Line	1.9	5.5	2.6	7.6	ns
Global Reset							
t _{gr}	59	Global Reset to GLB and I/O Registers	–	8.3	–	11.4	ns

1. Internal Timing Parameters are not tested and are for reference only.

Table 2- 0037-48C/70, 50

ALL DEVICES DISCONTINUED



0491A/48

Derivations of t_{su} , t_h and t_{co} from the Product Term Clock¹

$$\begin{aligned}
 t_{su} &= \text{Logic} + \text{Reg } s_u - \text{Clock (min)} \\
 &= (t_{iobp} + t_{grp4} + t_{20ptxor}) + (t_{gsu}) - (t_{iobp} + t_{grp4} + t_{ptck(min)}) \\
 &= (\#24 + \#32 + \#38) + (\#41) - (\#24 + \#32 + \#47) \\
 5.9 \text{ ns} &= (3.1 + 4.9 + 5.5) + (2.9) - (3.1 + 4.9 + 2.5) \\
 t_h &= \text{Clock (max)} + \text{Reg } h - \text{Logic} \\
 &= (t_{iobp} + t_{grp4} + t_{ptck(max)}) + (t_{gh}) - (t_{iobp} + t_{grp4} + t_{20ptxor}) \\
 &= (\#24 + \#32 + \#47) + (\#42) - (\#24 + \#32 + \#38) \\
 5.8 \text{ ns} &= (3.1 + 4.9 + 6.0) + (5.3) - (3.1 + 4.9 + 5.5) \\
 t_{co} &= \text{Clock (max)} + \text{Reg } c_o + \text{Output} \\
 &= (t_{iobp} + t_{grp4} + t_{ptck(max)}) + (t_{gco}) + (t_{orp} + t_{ob}) \\
 &= (\#24 + \#32 + \#47) + (\#43) + (\#48 + \#50) \\
 20.1 \text{ ns} &= (3.1 + 4.9 + 6.0) + (1.5) + (2.5 + 2.1)
 \end{aligned}$$

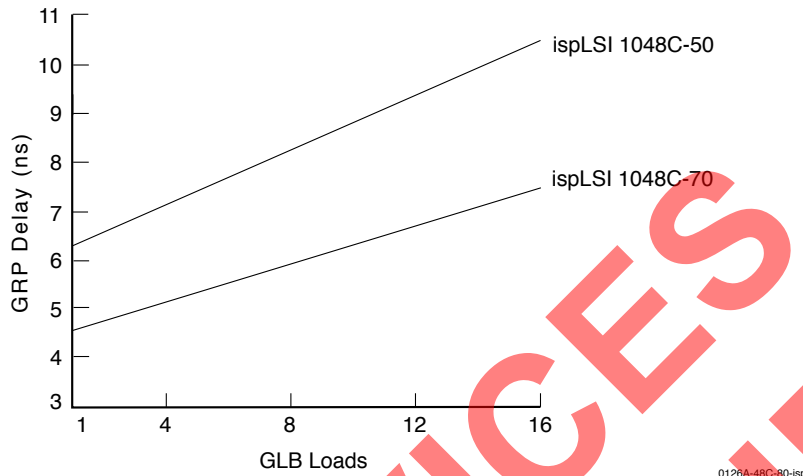
Derivations of t_{su} , t_h and t_{co} from the Clock GLB¹

$$\begin{aligned}
 t_{su} &= \text{Logic} + \text{Reg } s_u - \text{Clock (min)} \\
 &= (t_{iobp} + t_{grp4} + t_{20ptxor}) + (t_{gsu}) - (t_{gy0(min)} + t_{gco} + t_{gcp(min)}) \\
 &= (\#24 + \#32 + \#38) + (\#41) - (\#54 + \#43 + \#56) \\
 7.6 \text{ ns} &= (3.1 + 4.9 + 5.5) + (2.9) - (5.4 + 1.5 + 1.9) \\
 t_h &= \text{Clock (max)} + \text{Reg } h - \text{Logic} \\
 &= (t_{gy0(max)} + t_{gco} + t_{gcp(max)}) + (t_{gh}) - (t_{iobp} + t_{grp4} + t_{20ptxor}) \\
 &= (\#54 + \#43 + \#56) + (\#42) - (\#24 + \#32 + \#38) \\
 4.2 \text{ ns} &= (5.4 + 1.5 + 5.5) + (5.3) - (3.1 + 4.9 + 5.5) \\
 t_{co} &= \text{Clock (max)} + \text{Reg } c_o + \text{Output} \\
 &= (t_{gy0(max)} + t_{gco} + t_{gcp(max)}) + (t_{gco}) + (t_{orp} + t_{ob}) \\
 &= (\#54 + \#43 + \#56) + (\#43) + (\#48 + \#50) \\
 18.5 \text{ ns} &= (5.4 + 1.5 + 5.5) + (1.5) + (2.5 + 2.1)
 \end{aligned}$$

1. Calculations are based upon timing specifications for the ispLSI 1048C-70

Table 2- 0042-48C

Maximum GRP Delay vs GLB Loads

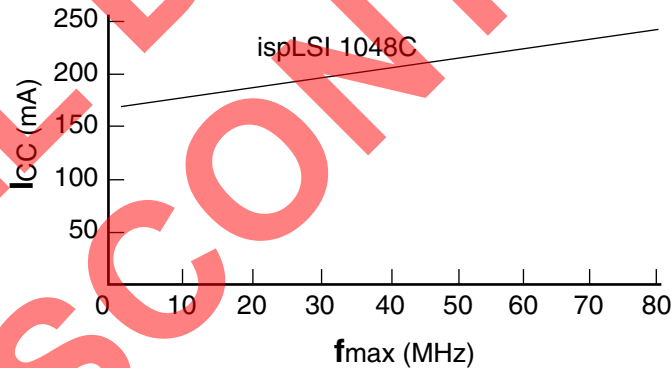


Power Consumption

Power consumption in the ispLSI 1048C device depends on two primary factors: the speed at which the device is operating, and the number of Product Terms used. Figure 3 shows the relationship between power and operating speed.

Figure 3 shows the relationship between power and operating speed.

Figure 3. Typical Device Power Consumption vs fmax



Notes: Configuration of Twelve 16-bit Counters
Typical Current at 5V, 25°C

ICC can be estimated for the ispLSI 1048C using the following equation:

$$I_{CC} = 73 + (\# \text{ of PTs} * 0.23) + (\# \text{ of nets} * \text{Max. freq} * 0.010) \text{ where:}$$

of PTs = Number of Product Terms used in design

of nets = Number of Signals used in device

Max. freq = Highest Clock Frequency to the device

The ICC estimate is based on typical conditions (VCC = 5.0V, room temperature) and an assumption of 2 GLB loads on average exists. These values are for estimates only. Since the value of ICC is sensitive to operating conditions and the program in the device, the actual ICC should be verified.

0127A-48C-80-isp

Pin Description

NAME	PQFP PIN NUMBERS	DESCRIPTION
I/O 0 - I/O 5 I/O 6 - I/O 11 I/O 12 - I/O 17 I/O 18 - I/O 23 I/O 24 - I/O 29 I/O 30 - I/O 35 I/O 36 - I/O 41 I/O 42 - I/O 47 I/O 48 - I/O 53 I/O 54 - I/O 59 I/O 60 - I/O 65 I/O 66 - I/O 71 I/O 72 - I/O 77 I/O 78 - I/O 83 I/O 84 - I/O 89 I/O 90 - I/O 95	21, 22, 23, 24, 25, 26 27, 28, 29, 30, 31, 32 34, 35, 36, 37, 38, 39 40, 41, 42, 43, 44, 45 52, 53, 54, 55, 56, 57 58, 59, 60, 61, 62, 63 66, 67, 68, 69, 70, 71 72, 73, 74, 75, 76, 77 85, 86, 87, 88, 89, 90 91, 92, 93, 94, 95, 96 98, 99, 100, 101, 102, 103 104, 105, 106, 107, 108, 109 117, 118, 119, 120, 121, 122 123, 124, 125, 126, 127, 128 2, 3, 4, 5, 6, 7 8, 9, 10, 11, 12, 13	Input/Output Pins - These are the general purpose I/O pins used by the logic array.
GOE0, GOE1	64, 114	Global output enables for all I/Os.
IN 2, IN 4 IN 6 - IN 11	47, 51 84, 110, 111, 115, 116, 14	Dedicated input pins to the device.
$\overline{\text{ispEN}}$	18	Input – Dedicated in-system programming enable input pin. This pin is brought low to enable the programming mode. The MODE, SDI, SDO and SCLK options become active.
SDI/IN 0 ¹	20	Input – This pin performs two functions. It is a dedicated input pin when $\overline{\text{ispEN}}$ is logic high. When $\overline{\text{ispEN}}$ is logic low, it functions as an input pin to load programming data into the device. SDI/IN 0 also is used as one of the two control pins for the isp state machine.
MODE/IN 1 ¹	46	Input – This pin performs two functions. It is a dedicated input pin when $\overline{\text{ispEN}}$ is logic high. When $\overline{\text{ispEN}}$ is logic low, it functions as a pin to control the operation of the isp state machine.
SDO/IN 3 ¹	50	Input/Output – This pin performs two functions. It is a dedicated input pin when $\overline{\text{ispEN}}$ is logic high. When $\overline{\text{ispEN}}$ is logic low, it functions as an output pin to read serial shift register data.
SCLK/IN 5 ¹	78	Input – This pin performs two functions. It is a dedicated input when $\overline{\text{ispEN}}$ is logic high. When $\overline{\text{ispEN}}$ is logic low, it functions as a clock pin for the Serial Shift Register.
$\overline{\text{RESET}}$	19	Active Low (0) Reset pin which resets all of the GLB and I/O registers in the device.
Y0	15	Dedicated Clock input. This clock input is connected to one of the clock inputs of all of the GLBs on the device.
Y1	83	Dedicated clock input. This clock input is brought into the clock distribution network, and can optionally be routed to any GLB on the device.
Y2	80	Dedicated clock input. This clock input is brought into the clock distribution network, and can optionally be routed to any GLB and/or any I/O cell on the device.
Y3	79	Dedicated clock input. This clock input is brought into the clock distribution network, and can optionally be routed to any I/O cell on the device.
GND	1, 17, 33, 49, 65, 81 97, 112	Ground (GND)
VCC	16, 48, 82, 113	V _{CC}

1. Pins have dual function capability.

Table 2- 0002C-48C

Pin Description

NAME	CPGA PIN NUMBERS	DESCRIPTION
I/O 0 - I/O 5 I/O 6 - I/O 11 I/O 12 - I/O 17 I/O 18 - I/O 23 I/O 24 - I/O 29 I/O 30 - I/O 35 I/O 36 - I/O 41 I/O 42 - I/O 47 I/O 48 - I/O 53 I/O 54 - I/O 59 I/O 60 - I/O 65 I/O 66 - I/O 71 I/O 72 - I/O 77 I/O 78 - I/O 83 I/O 84 - I/O 89 I/O 90 - I/O 95	J2, J3, K1, L1, K2, M1, L2, K3, N1, M2, L3, P1, M3, P2, N3, M4, P3, N4, P4, M5, N5, P5, M6, N6, N9, M9, P10, P11, N10, P12, N11, M10, P13, N12, M11, P14, M12, N14, M13, L12, M14, L13, L14, K12, K13, K14, J12, J13, F13, F12, E14, D14, E13, C14, D13, E12, B14, C13, D12, A14, C12, A13, B12, C11, A12, B11, A11, C10, B10, A10, C9, B9, B6, C6, A5, A4, B5, A3, B4, C5, A2, B3, C4, A1, C3, B1, C2, D3, C1, D2, D1, E3, E2, E1, F3, F2	Input/Output Pins - These are the general purpose I/O pins used by the logic array.
GOE0, GOE1	N13, B7,	Global output enables for all I/Os.
IN 2, IN 4 IN 6 - IN 11	P7, P9 F14, A9, A8, A7, A6, F1	Dedicated input pins to the device.
$\overline{\text{ispEN}}$	H2	Input – Dedicated in-system programming enable input pin. This pin is brought low to enable the programming mode. The MODE, SDI, SDO and SCLK options become active.
SDI/IN 0 ¹	J1	Input – This pin performs two functions. It is a dedicated input pin when $\overline{\text{ispEN}}$ is logic high. When $\overline{\text{ispEN}}$ is logic low, it functions as an input pin to load programming data into the device. SDI/IN 0 also is used as one of the two control pins for the isp state machine.
MODE/IN 1 ¹	P6	Input – This pin performs two functions. It is a dedicated input pin when $\overline{\text{ispEN}}$ is logic high. When $\overline{\text{ispEN}}$ is logic low, it functions as a pin to control the operation of the isp state machine.
SDO/IN 3 ¹	P8	Input/Output – This pin performs two functions. It is a dedicated input pin when $\overline{\text{ispEN}}$ is logic high. When $\overline{\text{ispEN}}$ is logic low, it functions as an output pin to read serial shift register data.
SCLK/IN 5 ¹	J14	Input – This pin performs two functions. It is a dedicated input when $\overline{\text{ispEN}}$ is logic high. When $\overline{\text{ispEN}}$ is logic low, it functions as a clock pin for the Serial Shift Register.
RESET	H1	Active Low (0) Reset pin which resets all of the GLB and I/O registers in the device.
Y0	G1	Dedicated Clock input. This clock input is connected to one of the clock inputs of all of the GLBs on the device.
Y1	G14	Dedicated clock input. This clock input is brought into the clock distribution network, and can optionally be routed to any GLB on the device.
Y2	H13	Dedicated clock input. This clock input is brought into the clock distribution network, and can optionally be routed to any GLB and/or any I/O cell on the device.
Y3	H14	Dedicated clock input. This clock input is brought into the clock distribution network, and can optionally be routed to any I/O cell on the device.
GND	B2, B8, B13, C8, H3, H12, M8, N2, N8	Ground (GND)
VCC	C7, G2, G3, G12, G13, M7, N7	V _{cc}

1. Pins have dual function capability.

Table 2- 0002C-48C/CPGA

Pin Configuration

ispLSI 1048C 128-Pin PQFP Pinout Diagram



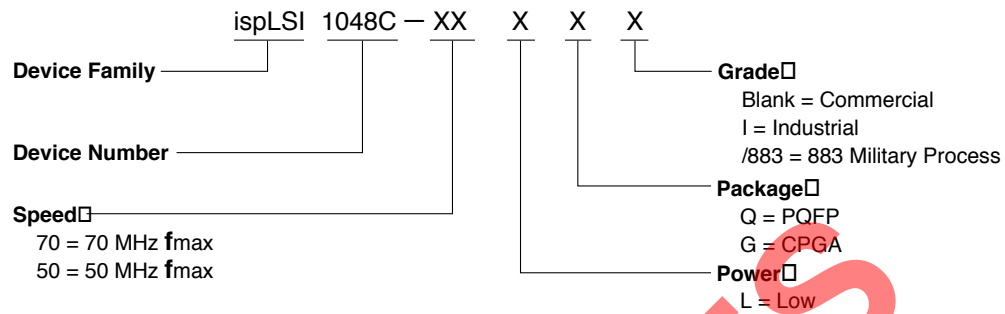
Pin Configuration

ispLSI 1048C 133-Pin CPGA Pinout Diagram



1. Pins have dual function capability.

Part Number Description



Ordering Information

COMMERCIAL

Family	f_{max} (MHz)	t_{pd} (ns)	Ordering Number	Package
ispLSI	70	16	ispLSI 1048C-70LQ	128-Pin PQFP
	50	22	ispLSI 1048C-50LQ	128-Pin PQFP

INDUSTRIAL

Family	f_{max} (MHz)	t_{pd} (ns)	Ordering Number	Package
ispLSI	50	22	ispLSI 1048C-50LQI	128-Pin PQFP

MILITARY

Family	f_{max} (MHz)	t_{pd} (ns)	Ordering Number	SMD Number	Package
ispLSI	50	22	ispLSI 1048C-50LG/883	5962-9558701MXC	133-Pin CPGA

Table 2- 0041A-48C-isp

X-ON Electronics

Largest Supplier of Electrical and Electronic Components

Click to view similar products for [CPLD - Complex Programmable Logic Devices](#) category:

Click to view products by [Lattice](#) manufacturer:

Other Similar products are found below :

[5962-9952001QYA](#) [5M1270ZT144I5](#) [M4A5-12864-10YNI](#) [M4A5-12864-12YNI](#) [M4A5-3232-5VNC](#) [M4A5-6432-7VNC](#) [M4A5-6432-7VNI](#)
[CY3LV002-10JC](#) [CY7C344B-15JI](#) [EPM7064LC68-10](#) [ISPLSI 1032-90LJ](#) [ISPLSI 1048-70LQ](#) [LA4064V-75TN44E](#) [LC4064ZC-5MN56C](#)
[M4A3-3232-10VC](#) [M4A5-256128-12YNI](#) [MACH435Q-20JC](#) [ISPLSI 1032-60LJ](#) [ISPLSI 1032-80LJ](#) [ISPLSI 1048-50LQ](#) [LA4032V-75TN44E](#)
[LC4032ZC-5MN56I](#) [5962-9759901QZC](#) [XC95288XL-10CS280I](#) [LC4032ZC-75MN56I](#) [LC5512MV-45F256C](#) [M4A5-6432-10VNI](#)
[ISPLSI2096A-80LT128I](#) [M4A3-256192-10FAI](#) [LA4128V-75TN128E](#) [ISPLSI5256VA-100LB208](#) [M4A3-3232-5VC48](#) [M4A3-64/32-](#)
[12VNI48](#) [CP4878DM](#) [M4A3-256/160-7YC](#) [M4A3-256/192-7FAC](#) [M4A3-32/32-10VNC48](#) [M4A3-384/192-10FANC](#) [M4A3-512/160-14YI](#)
[M4A3-512/192-7FAC](#) [M4A3-64/32-10VNC](#) [M4A5-128/64-7YI](#) [M4A5-192/96-10VC](#) [M4A5-192/96-10VI](#) [M4A5-256/128-10YNC](#) [M4A5-](#)
[256/128-7YC](#) [M4A5-32/32-10VC](#) [M4A5-64/32-10VNC](#) [M5-192/120-10YI/1](#) [M5-320/160-10YI](#)