



ispXPLD® 5000MX Device Datasheet

June 2010

Select Devices Discontinued!

Product Change Notifications (PCNs) #09-10 has been issued to discontinue select devices in this data sheet.

The original datasheet pages have not been modified and do not reflect those changes. Please refer to the table below for reference PCN and current product status.

| Product Line | Ordering Part Number | Product Status | Reference PCN |
|-----------------|----------------------|--------------------|---------------------------|
| LC5256MV | LC5256MV-4F256C | Active / Orderable | |
| | LC5256MV-4FN256C | | |
| | LC5256MV-5F256C | | |
| | LC5256MV-5FN256C | | |
| | LC5256MV-75F256C | | |
| | LC5256MV-75FN256C | | |
| | LC5256MV-5F256I | | |
| | LC5256MV-5FN256I | | |
| | LC5256MV-75F256I | | |
| | LC5256MV-75FN256I | | |
| LC5256MB | LC5256MB-4F256C | Active / Orderable | |
| | LC5256MB-4FN256C | | |
| | LC5256MB-5F256C | | |
| | LC5256MB-5FN256C | | |
| | LC5256MB-75F256C | | |
| | LC5256MB-75FN256C | | |
| | LC5256MB-5F256I | | |
| | LC5256MB-5FN256I | | |
| | LC5256MB-75F256I | | |
| | LC5256MB-75FN256I | | |
| LC5256MC | LC5256MC-4F256C | Discontinued | PCN#09-10 |
| | LC5256MC-4FN256C | | |
| | LC5256MC-5F256C | | |
| | LC5256MC-5FN256C | | |
| | LC5256MC-75F256C | | |
| | LC5256MC-75FN256C | | |
| | LC5256MC-5F256I | | |
| | LC5256MC-5FN256I | | |
| | LC5256MC-75F256I | | |
| | LC5256MC-75FN256I | | |



| Product Line | Ordering Part Number | Product Status | Reference PCN |
|-------------------|----------------------|--------------------|---------------------------|
| LC5512MV | LC5512MV-45Q208C | Active / Orderable | |
| | LC5512MV-45QN208C | | |
| | LC5512MV-75Q208C | | |
| | LC5512MV-75QN208C | | |
| | LC5512MV-75Q208I | | |
| | LC5512MV-75QN208I | | |
| | LC5512MV-45F256C | | |
| | LC5512MV-45FN256C | | |
| | LC5512MV-75F256C | | |
| | LC5512MV-75FN256C | | |
| | LC5512MV-75F256I | | |
| | LC5512MV-75FN256I | | |
| | LC5512MV-45F484C | | |
| | LC5512MV-45FN484C | | |
| | LC5512MV-75F484C | | |
| LC5512MV-75FN484C | | | |
| LC5512MV-75F484I | | | |
| LC5512MV-75FN484I | | | |
| LC5512MB | LC5512MB-45Q208C | Discontinued | PCN#09-10 |
| | LC5512MB-45QN208C | | |
| | LC5512MB-75Q208C | | |
| | LC5512MB-75QN208C | | |
| | LC5512MB-75Q208I | | |
| | LC5512MB-75QN208I | Active / Orderable | |
| | LC5512MB-45F256C | | |
| | LC5512MB-45FN256C | | |
| | LC5512MB-75F256C | | |
| | LC5512MB-75FN256C | | |
| | LC5512MB-75F256I | Discontinued | PCN#09-10 |
| | LC5512MB-75FN256I | | |
| | LC5512MB-45F484C | | |
| | LC5512MB-45FN484C | | |
| | LC5512MB-75F484C | | |
| LC5512MB-75FN484C | | | |
| LC5512MB-75F484I | | | |
| LC5512MB-75FN484I | | | |
| LC5512MC | LC5512MC-45Q208C | Discontinued | PCN#09-10 |
| | LC5512MC-45QN208C | | |
| | LC5512MC-75Q208C | | |
| | LC5512MC-75QN208C | | |
| | LC5512MC-75Q208I | | |
| | LC5512MC-75QN208I | | |
| | LC5512MC-45F256C | | |
| | LC5512MC-45FN256C | | |
| | LC5512MC-75F256C | | |
| | LC5512MC-75FN256C | | |
| | LC5512MC-75F256I | | |
| | LC5512MC-75FN256I | | |



| Product Line | Ordering Part Number | Product Status | Reference PCN |
|----------------------|----------------------|--------------------|---------------------------|
| LC5512MC (Cont'd) | LC5512MC-45F484C | Discontinued | PCN#09-10 |
| | LC5512MC-45FN484C | | |
| | LC5512MC-75F484C | | |
| | LC5512MC-75FN484C | | |
| | LC5512MC-75F484I | | |
| | LC5512MC-75FN484I | | |
| LC5768MV | LC5768MV-5F256C | Active / Orderable | |
| | LC5768MV-5FN256C | | |
| | LC5768MV-75F256C | | |
| | LC5768MV-75FN256C | | |
| | LC5768MV-75F256I | | |
| | LC5768MV-75FN256I | | |
| | LC5768MV-5F484C | | |
| | LC5768MV-5FN484C | | |
| | LC5768MV-75F484C | | |
| | LC5768MV-75FN484C | | |
| | LC5768MV-75F484I | | |
| | LC5768MV-75FN484I | | |
| | LC5768MB | | |
| LC5768MB-5FN256C | | | |
| LC5768MB-75F256C | | | |
| LC5768MB-75FN256C | | | |
| LC5768MB-75F256I | | | |
| LC5768MB-75FN256I | | | |
| LC5768MB-5F484C | | | |
| LC5768MB-5FN484C | | | |
| LC5768MB-75F484C | | | |
| LC5768MB-75FN484C | | | |
| LC5768MB-75F484I | | | |
| LC5768MB-75FN484I | | | |
| LC5768MC | | LC5768MC-5F256C | Discontinued |
| | LC5768MC-5FN256C | | |
| | LC5768MC-75F256C | | |
| | LC5768MC-75FN256C | | |
| | LC5768MC-75F256I | | |
| | LC5768MC-75FN256I | | |
| | LC5768MC-5F484C | | |
| | LC5768MC-5FN484C | | |
| | LC5768MC-75F484C | | |
| | LC5768MC-75FN484C | | |
| | LC5768MC-75F484I | | |
| | LC5768MC-75FN484I | | |



| Product Line | Ordering Part Number | Product Status | Reference PCN |
|------------------|----------------------|--------------------|---------------------------|
| LC51024MV | LC51024MV-52F484C | Active / Orderable | |
| | LC51024MV-52FN484C | | |
| | LC51024MV-75F484C | | |
| | LC51024MV-75FN484C | | |
| | LC51024MV-75F484I | | |
| | LC51024MV-75FN484I | | |
| | LC51024MV-52F672C | | |
| | LC51024MV-52FN672C | | |
| | LC51024MV-75F672C | | |
| | LC51024MV-75FN672C | | |
| | LC51024MV-75F672I | | |
| | LC51024MV-75FN672I | | |
| LC51024MB | LC51024MB-52F484C | Discontinued | PCN#09-10 |
| | LC51024MB-52FN484C | | |
| | LC51024MB-75F484C | | |
| | LC51024MB-75FN484C | | |
| | LC51024MB-75F484I | | |
| | LC51024MB-75FN484I | | |
| | LC51024MB-52F672C | | |
| | LC51024MB-52FN672C | | |
| | LC51024MB-75F672C | | |
| | LC51024MB-75FN672C | | |
| | LC51024MB-75F672I | | |
| | LC51024MB-75FN672I | | |
| LC51024MC | LC51024MC-52F484C | Discontinued | PCN#09-10 |
| | LC51024MC-52FN484C | | |
| | LC51024MC-75F484C | | |
| | LC51024MC-75FN484C | | |
| | LC51024MC-75F484I | | |
| | LC51024MC-75FN484I | | |
| | LC51024MC-52F672C | | |
| | LC51024MC-52FN672C | | |
| | LC51024MC-75F672C | | |
| | LC51024MC-75FN672C | | |
| | LC51024MC-75F672I | | |
| | LC51024MC-75FN672I | | |

Features

■ Flexible Multi-Function Block (MFB) Architecture

- SuperWIDE™ logic (up to 136 inputs)
- Arithmetic capability
- Single- or Dual-port SRAM
- FIFO
- Ternary CAM

■ sysCLOCK™ PLL Timing Control

- Multiply and divide between 1 and 32
- Clock shifting capability
- External feedback capability

■ sysIO™ Interfaces

- LVCMOS 1.8, 2.5, 3.3V
 - Programmable impedance
 - Hot-socketing
 - Flexible bus-maintenance (Pull-up, pull-down, bus-keeper, or none)
 - Open drain operation
- SSTL 2, 3 (I & II)
- HSTL (I, III, IV)
- PCI 3.3
- GTL+
- LVDS
- LVPECL
- LVTTTL

■ Expanded In-System Programmability (ispXP™)

- Instant-on capability
- Single chip convenience
- In-System Programmable via IEEE 1532 Interface
- Infinitely reconfigurable via IEEE 1532 or sys-CONFIG™ microprocessor interface
- Design security

■ High Speed Operation

- 4.0ns pin-to-pin delays, 300MHz f_{MAX}
- Deterministic timing

■ Low Power Consumption

- Typical static power: 20 to 50mA (1.8V), 30 to 60mA (2.5/3.3V)
- 1.8V core for low dynamic power

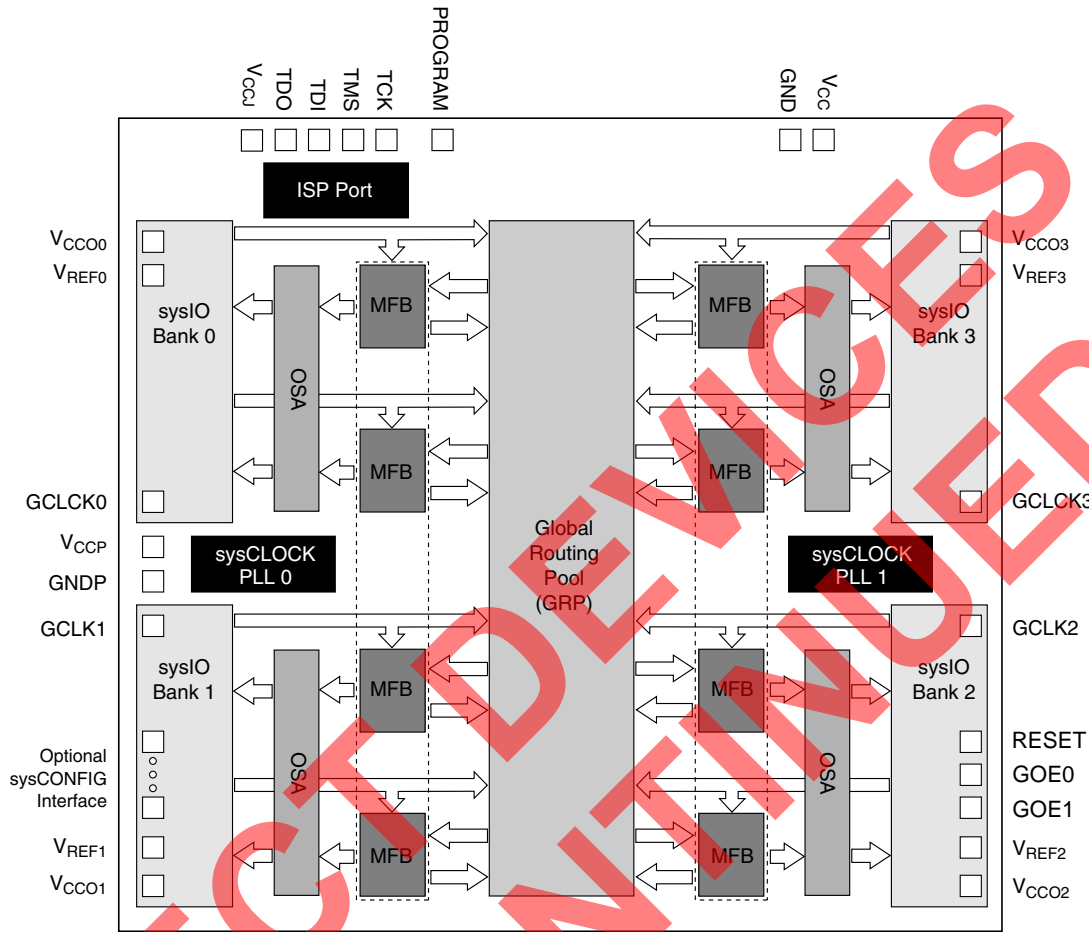
■ Easy System Integration

- 3.3V (5000MV), 2.5V (5000MB) and 1.8V (5000MC) power supply operation
- 5V tolerant I/O for LVCMOS 3.3 and LVTTTL interfaces
- IEEE 1149.1 interface for boundary scan testing
- sysIO quick configuration
- Density migration
- Multiple density and package options
- PQFP and fine pitch BGA packaging
- Lead-free package options

Table 1. ispXPLD 5000MX Family Selection Guide

| | ispXPLD 5256MX | ispXPLD 5512MX | ispXPLD 5768MX | ispXPLD 51024MX |
|---|----------------|------------------------------------|------------------------|------------------------|
| Macrocells | 256 | 512 | 768 | 1,024 |
| Multi-Function Blocks | 8 | 16 | 24 | 32 |
| Maximum RAM Bits | 128K | 256K | 384K | 512K |
| Maximum CAM Bits | 48K | 96K | 144K | 192K |
| sysCLOCK PLLs | 2 | 2 | 2 | 2 |
| t_{PD} (Propagation Delay) | 4.0ns | 4.5ns | 5.0ns | 5.2ns |
| t_S (Register Set-up Time) | 2.2ns | 2.8ns | 2.8ns | 3.0ns |
| t_{CO} (Register Clock to Out Time) | 2.8ns | 3.0ns | 3.2ns | 3.7ns |
| f_{MAX} (Maximum Operating Frequency) | 300MHz | 275MHz | 250MHz | 250MHz |
| Functional Gates | 75K | 150K | 225K | 300K |
| I/Os | 141 | 149/193/253 | 193/317 | 317/381 |
| Packages | 256 fpBGA | 208 PQFP 256 fpBGA 484 fpBGA | 256 fpBGA 484 fpBGA | 484 fpBGA 672 fpBGA |

Figure 1. ispXPLD 5000MX Block Diagram



Introduction

The ispXPLD 5000MX family represents a new class of device, referred to as the eXpanded Programmable Logic Devices (XPLDs). These devices extend the capability of Lattice’s popular SuperWIDE ispMACH 5000 architecture by providing flexible memory capability. The family supports single- or dual-port SRAM, FIFO, and ternary CAM operation. Extra logic has also been included to allow efficient implementation of arithmetic functions. In addition, sysCLOCK PLLs and sysIO interfaces provide support for the system-level needs of designers.

The devices provide designers with a convenient one-chip solution that provides logic availability at boot-up, design security, and extreme reconfigurability. The use of advanced process technology provides industry-leading performance with combinatorial propagation delay as low as 4.0ns, 2.8ns clock-to-out delay, 2.2ns set-up time, and operating frequency up to 300MHz. This performance is coupled with low static and dynamic power consumption. The ispXPLD 5000MX architecture provides predictable deterministic timing.

The availability of 3.3, 2.5 and 1.8V versions of these devices along with the flexibility of the sysIO interface helps users meet the challenge of today’s mixed voltage designs. Inputs can be safely driven up to 5.5V when an I/O bank is configured for 3.3V operation, making this family 5V tolerant. Boundary scan testability further eases integration into today’s complex systems. A variety of density and package options increase the likelihood of a good fit for a particular application. Table 1 shows the members of the ispXPLD 5000MX family.

Architecture

The ispXPLD 5000MX devices consist of Multi-Function Blocks (MFBs) interconnected with a Global Routing Pool. Signals enter and leave the device via one of four sysIO banks. Figure 1 shows the block diagram of the ispXPLD

5000MX. Incoming signals may connect to the global routing pool or the registers in the MFBs. An Output Sharing Array (OSA) increases the number of I/O available to each MFB, allowing a complete function high-performance access to the I/O. There are four clock pins that drive four global clock nets within the device. Two sysCLOCK PLLs are provided to allow the synthesis of new clocks and control of clock skews.

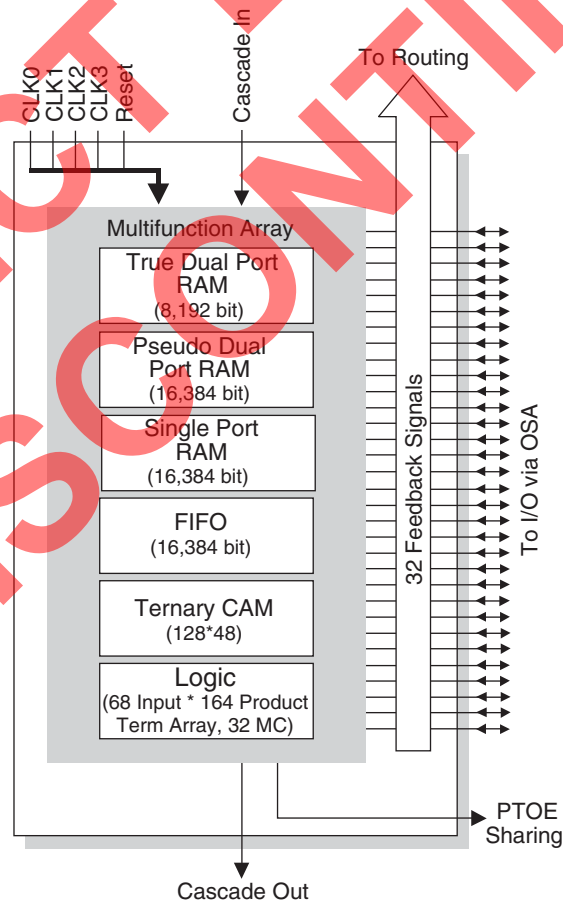
Multi-Function Block (MFB)

Each MFB in the ispXPLD 5000MX architecture can be configured in one of the six following modes. This provides a flexible approach to implementing logic and memory that allows the designer to achieve the mix of functions that are required for a particular design, maximizing resource utilization. The six modes supported by the MFB are:

- SuperWIDE Logic Mode
- True Dual-port SRAM Mode
- Pseudo Dual-port SRAM Mode
- Single-port SRAM Mode
- FIFO Mode
- Ternary CAM Mode

The MFB consists of a multi-function array and associated routing. Depending on the chosen functions the multi-function array uses up to 68 inputs from the GRP and the four global clock and reset signals. The array outputs data along with certain control functions to the macrocells. Output signals can be routed internally for use elsewhere in the device and to the sysIO banks for output. Figure 2 shows the block diagram of the MFB. The various configurations are described in more detail in the following sections.

Figure 2. MFB Block Diagram



Cascading For Wide Operation

In several modes it is possible to cascade adjacent MFBs to support wider operation. Table 2 details the different cascading options. There are chains of MFBs in each device which determine those MFBs that are adjacent for the purposes of cascading. Table 3 indicates these chains. The ispXPLD 5000MX design tools automatically cascade blocks if required by a particular design.

Table 2. Cascading Modes For Wide Support

| Mode | Cascading Function |
|-------|---|
| Logic | Input Width. Allows two MFBs to act as a 136-input block. |
| | Arithmetic. Allow the carry chain to pass between two MFBs. |
| FIFO | Memory Width Expansion. Allows MFBs to be cascaded for greater width support. |
| CAM | Memory Width Expansion. Allows up to four MFBs to be cascaded for greater width support. |

Table 3. MFB Cascade Chain

| Device | MFBs in Cascade Chain |
|-----------------|---|
| ispXPLD 5256MX | A → B → C → D |
| | H → G → F → E |
| ispXPLD 5512MX | A → B → C → D → E → F → G → H |
| | P → O → N → M → L → K → J → I |
| ispXPLD 5768MX | D → C → B → A → X → W → V → U → T → S → R → Q |
| | E → F → G → H → I → J → K → L → M → N → O → P |
| ispXPLD 51024MX | H → G → F → E → D → C → B → A → AF → AE → AD → AC → AB → AA → Z → Y |
| | I → J → K → L → M → N → O → P → Q → R → S → T → U → V → W → X |

SuperWIDE Logic Mode

In logic mode, each MFB contains 32 macrocells and a fully populated, programmable AND-array with 160 logic product terms and four control product terms. The MFB has 68 inputs from the Global Routing Pool, which are available in both true and complement form for every product term. It is also possible to cascade adjacent MFBs to create a block with 136 inputs. The four control product terms are used for shared reset, clock, clock enable, and output enable functions. Figure 3 shows the overall structure of the MFB in logic mode while Figure 4 provides a more detailed view from the perspective of a macrocell slice.

Figure 3. MFB in SuperWIDE Logic Mode†

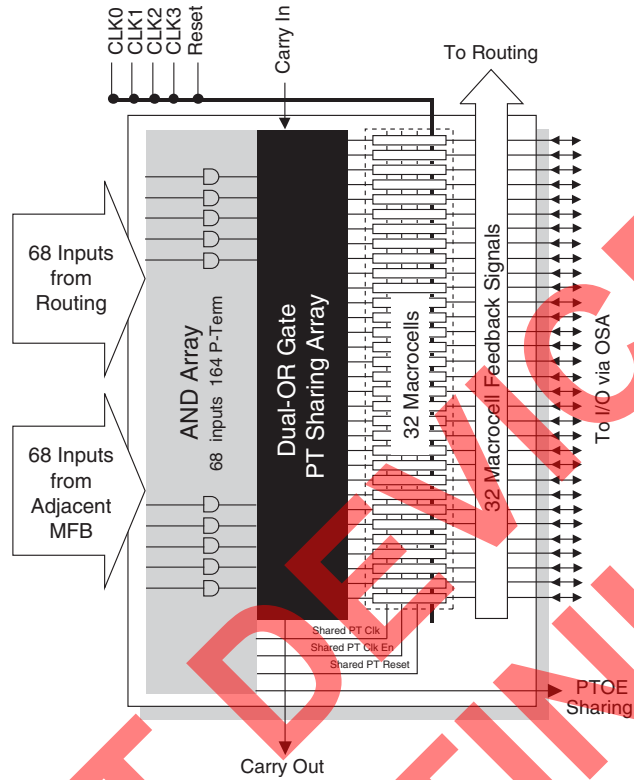
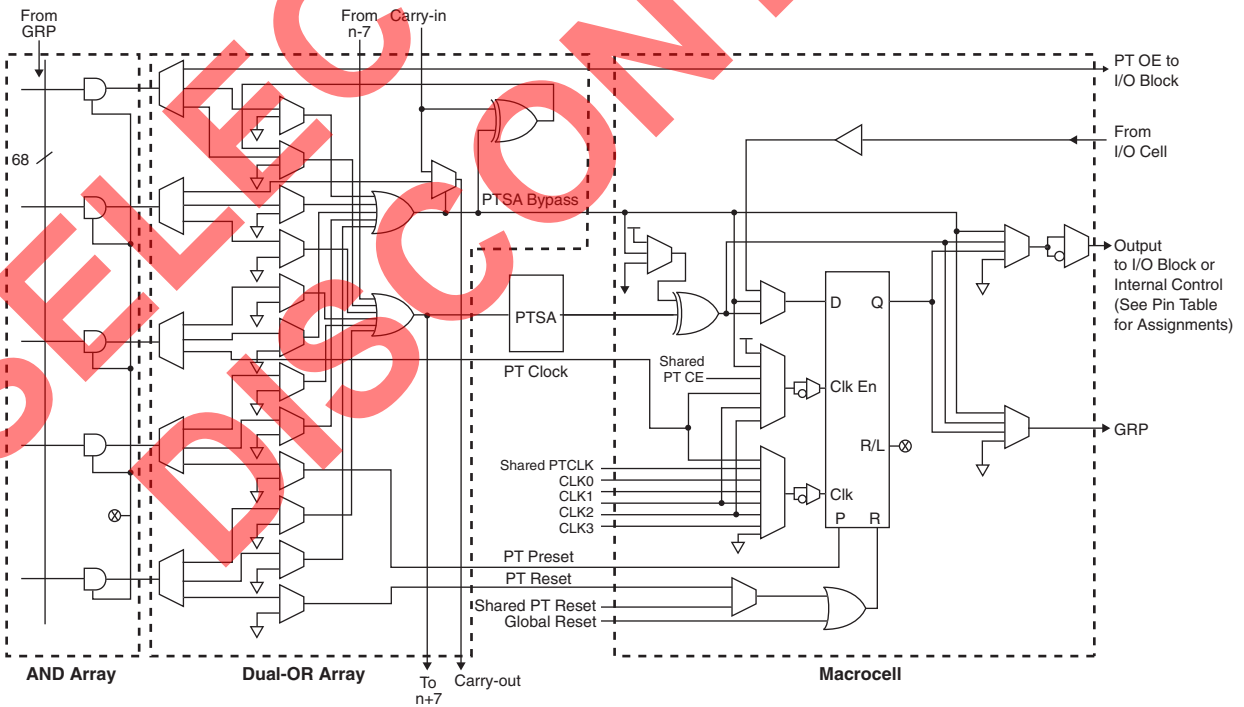


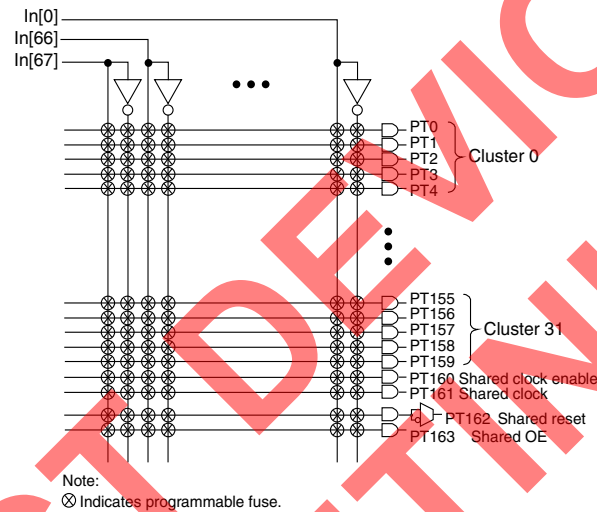
Figure 4. Macrocell Slice in Logic Mode AND-Array



AND-Array

The programmable AND-Array consists of 68 inputs and 164 output product terms. The 68 inputs from the GRP are used to form 136 lines in the AND-Array (true and complement of the inputs). Each line in the array can be connected to any of the 164 output product terms via a wired AND. Each of the 160 logic product terms feed the Dual-OR Array with the remaining four control product terms feeding the Shared PT Clock, Shared PT Clock Enable, Shared PT Reset and Shared PT OE. Starting with PT0 sets of five product terms form product term clusters. There is one product term cluster for every macrocell in the MFB. In addition to the four control product terms, the first, third, fourth and fifth product terms of each cluster can be used as a PTOE, PT Clock, PT Preset and PT Reset, respectively. Figure 5 is a graphical representation of the AND-Array.

Figure 5. AND Array

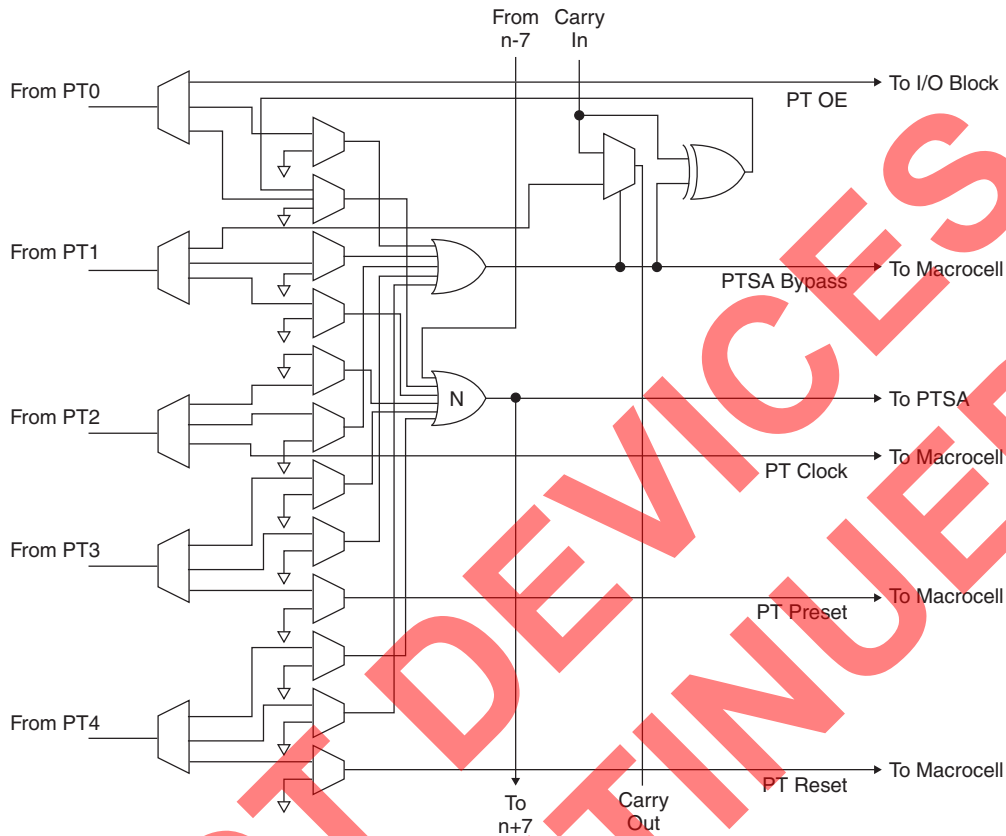


Dual-OR Array (Including Arithmetic Support)

The Dual-OR Array consists of 64 OR gates. There are two OR gates per macrocell in the MFB. These OR gates are referred to as the Expandable PTSA OR gate and the PTSA-Bypass OR gate. The PTSA-Bypass OR gate receives its five inputs from the combination of product terms associated with the product term cluster. The PTSA-Bypass OR gate feeds the macrocell directly for fast narrow logic. The Expandable PTSA OR gate receives five inputs from the combination of product terms associated with the product term cluster. It also receives an additional input from the Expanded PTSA OR gate of the N-7 macrocell, where N is the number of the macrocell associated with the current OR gate. The Expandable PTSA OR gate feeds the PTSA for sharing with other product terms and the N+7 Expandable PTSA OR gate. This allows cascading of multiple OR gates for wide functions. There is a small timing adder for each level of expansion. Figure 6 is a graphical representation of the Dual-OR Array.

The Dual-OR PT sharing array also contains logic to aid in the efficient implementation of arithmetic functions. This logic takes Carry In and allows the generation of Carry Out along with a SUM signal. Subtractors can be implemented using the two's complement method. Carry is propagated from macrocells 0 to macrocell 31. Macrocell zero can have its carry input connected to the carry output of macrocell 31 in an adjacent MFB or it can be set to zero or one. If a macrocell is not used in an arithmetic function carry can bypass it. The carry chain flows is the same as that for PT cascading.

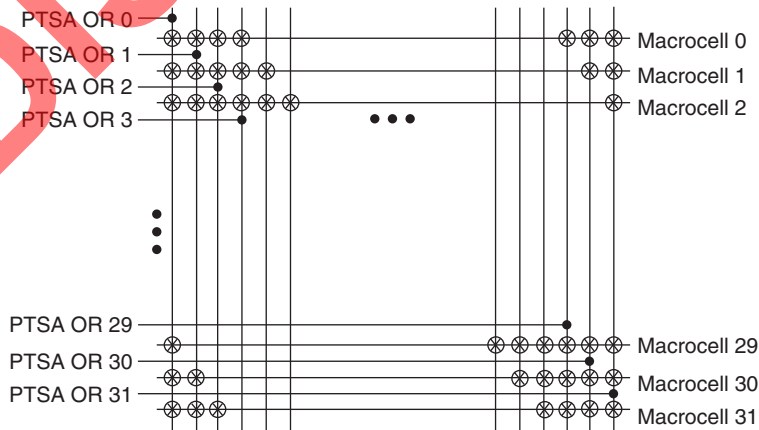
Figure 6. Dual-OR PT Sharing Array



Product Term Sharing Array

The Product Term Sharing Array (PTSA) consists of 32 inputs from the Dual-OR Array (Expandable PTSA OR) and 32 outputs directly to the macrocells. Each output is the OR term of any combination of the seven Expandable PTSA OR terms connected to that output. Every Nth macrocell is connected to N-3, N-2, N-1, N, N+1, N+2 and N+3 PTSA OR terms via a programmable connection. This wraps around the logic, for example, Macrocell 0 gets its logic from 29, 30, 31, 0, 1, 2, 3. The Expandable PTSA OR used in conjunction with the PTSA allows wide functions to be implemented easily and efficiently. Without using the Expandable PTSA OR capability, the greatest number of product terms that can be included in a single function with one pass of delay is 35. Up to 160 product terms can be included in a single function through the use of the expandable PTSA OR capability. Figure 7 shows the graphical representation of the PTSA.

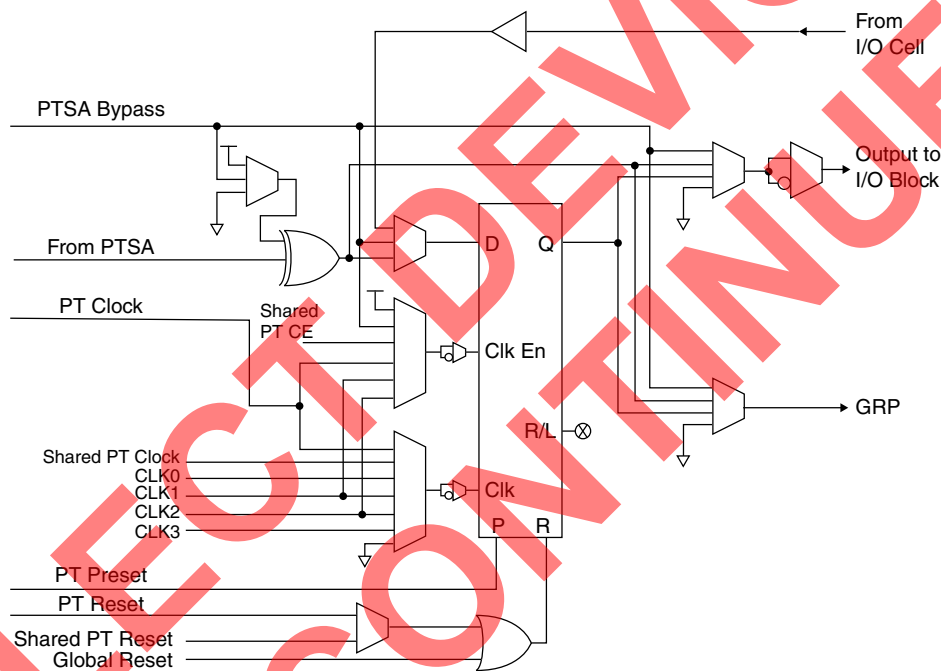
Figure 7. Product Term Sharing Array (PTSA)



Macrocell

The 32 registered macrocells in the MFB are driven by the 32 outputs from the PTSA or the PTSA bypass. Each macrocell contains a programmable XOR gate, a programmable register/latch flip-flop and the necessary clocks and control logic to allow combinatorial or registered operation. All macrocells have an output that feeds the GRP. Selected macrocells have an additional output that feeds the OSA and hence I/Os. This dual or concurrent output capability from the macrocell gives efficient use of the hardware resources. One output can be a registered function for example, while the other output can be an unrelated combinatorial function. A direct register input from the I/O cell facilitates efficient use of the macrocell to construct high-speed input registers. Macrocell registers can be clocked from one of several global or product term clocks available on the device. A global and product term clock enable is also provided, eliminating the need to gate the clock to the macrocell registers directly. Reset and preset for the macrocell register is provided from both global and product term signals. The macrocell register can be programmed to operate as a D-type register or a D-type latch. Figure 8 is a graphical representation of the macrocell.

Figure 8. Macrocell



Memory Modes

The ispXPLD 5000MX architecture allows the MFB to be configured as a variety of memory blocks as detailed in Table 4. The remainder of this section details operation of each of the memory modes. Additional information regarding the memory modes can also be found in TN1030, [Using Memory in ispXPLD 5000MX Devices](#).

Table 4. MFB Memory Configuration

| Memory Mode | Max. Configuration Size ¹ |
|-------------------------------------|--|
| Dual-port | 8,192 x 1 4,096 x 2 2,048 x 4 1,024 x 8 512 x 16 |
| Single-port, Pseudo Dual Port, FIFO | 16,384 x1 8,192 x 2 4,096 x 4 2,048 x 8 1,024 x 16 512 x 32 |
| CAM | 128 x 48 |

1. Smaller configurations are possible.

Input and Output

The data input and control signals to a MFB in memory mode are generated from inputs from the routing. Data signals are only available in the true non-inverted format. True or complemented versions of the inputs are available for generating the control signals. Data and flag outputs are fed from the MFB to the GRP and OSA. Unused inputs and outputs are not accessible in memory mode.

ROM Operation

In each of the memory modes it is possible to specify the power-on state of each bit in the memory array. This allows the memory to be used as ROM if desired.

Increased Depth And Width

Designs that require a memory depth or width that is greater than that support by a single MFB can be supported by cascading multiple blocks. For dual port, single port, and pseudo dual port modes additional width is easily provided by sharing address lines. Additional depth is supported by multiplexing the RAM output. For FIFO and CAM modes additional width is supported through the cascading of MFBs.

The Lattice design tools automatically combine blocks to support the memory size specified in the user's design.

Bus Size Matching

All of the memory modes apart from CAM mode support different widths on each of the ports. The RAM bits are mapped LSB word 0 to MSB word 0, LSB word 1 to MSB word 1 and so on. Although the word size and number of words for each port varies this mapping scheme applies to each port.

True Dual-Port SRAM Mode

In Dual-Port SRAM Mode the multi-function array is configured as a dual port SRAM. In this mode two independent read/write ports access the same 8,192-bits of memory. Data widths of 1, 2, 4, 8, and 16 are supported by the MFB. Figure 9 shows the block diagram of the dual port SRAM.

Write data, address, chip select and read/write signals are always synchronous (registered.) The output data signals can be synchronous or asynchronous. Resets are asynchronous. All inputs on the same port share the same clock, clock enable, and reset selections. All outputs on the same port share the same clock, clock enable, and reset selections. Selections may be made independently between both inputs and outputs and ports. Table 5 shows the possible sources for the clock, clock enable and initialization signals for the various registers.

Figure 9. Dual-Port SRAM Block Diagram

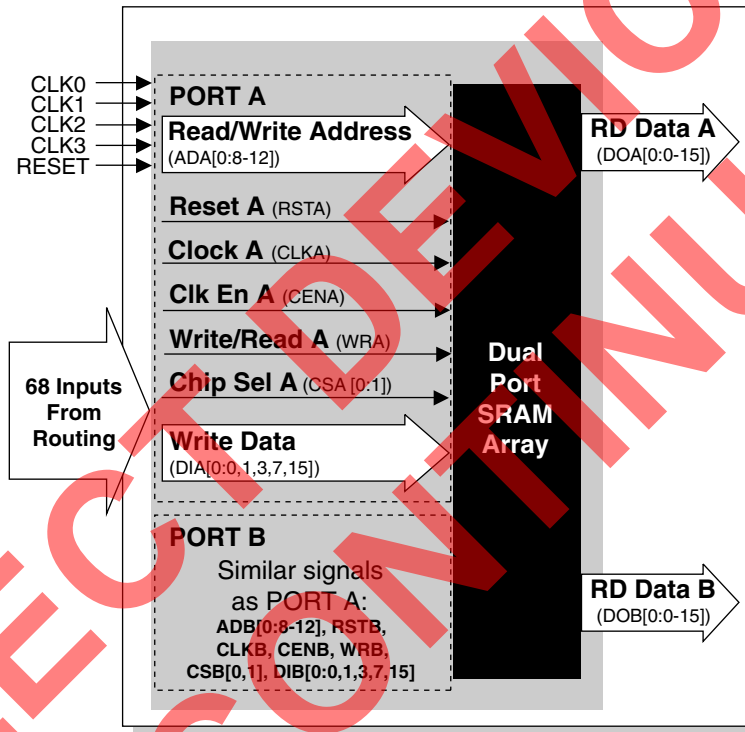


Table 5. Register Clock, Clock Enable, and Reset in Dual-Port SRAM Mode

| Register | Input | Source |
|---|--------------|---|
| Address, Write Data, Read Data, Read/Write, and Chip Select | Clock | CLKA (CLKB) or one of the global clocks (CLK0 - CLK3). The selected signal can be inverted if desired. |
| | Clock Enable | CENA (CENB) or one of the global clocks (CLK1 - CLK 2). The selected signal can be inverted if required. |
| | Reset | Created by the logical OR of the global reset signal and RSTA (RSTB). RSTA (RSTB) can be inverted is desired. |

Pseudo Dual-Port SRAM Mode

In Pseudo Dual-Port SRAM Mode the multi-function array is configured as a SRAM with an independent read and write ports that access the same 16,384-bits of memory. Data widths of 1, 2, 4, 8, 16 and 32 are supported by the MFB. Figure 10 shows the block diagram of the Pseudo Dual-Port SRAM.

Write data, write address, chip select and write enable signals are always synchronous (registered). The read data and read address signals can be synchronous or asynchronous. Reset is asynchronous. All write signals share the same clock, and clock enable. All read signals share the same clock and clock enable. Reset is shared by both read and write signals. Table 6 shows the possible sources for the clock, clock enable and initialization signals for the various registers.

Figure 10. Pseudo Dual-Port SRAM Block Diagram

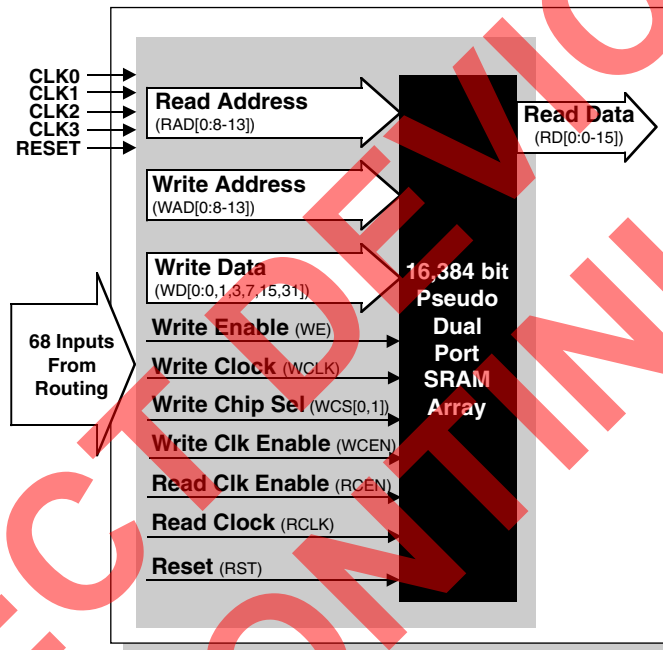


Table 6. Register Clock, Clock Enable, and Reset in Pseudo Dual-Port SRAM Mode

| Register | Input | Source |
|--|--------------|--|
| Write Address, Write Data, Write Enable, and Write Chip Select | Clock | WCLK or one of the global clocks (CLK0 - CLK3). The selected signal can be inverted if desired. |
| | Clock Enable | WCEN or one of the global clocks (CLK1 - CLK2). The selected signal can be inverted if desired. |
| | Reset | Created by the logical OR of the global reset signal and RST. RST may have inversion if desired. |
| Read Data and Read Address | Clock | RCLK or one of the global clocks (CLK0 - CLK3). The selected signal can be inverted if desired. |
| | Clock Enable | RCEN or one of the global clocks (CLK1 - CLK2). The selected signal can be inverted if desired. |
| | Reset | Created by the logical OR of the global reset signal and RST. RST may have inversion if desired. |

Single-Port SRAM Mode

In Single-Port SRAM Mode the multi-function array is configured as a single-port SRAM. In this mode one ports accesses 16,384-bits of memory. Data widths of 1, 2, 4, 8, 16 and 32 are supported by the MFB. Figure 11 shows the block diagram of the single-port SRAM.

Write data, address, chip select and read/write signals are always synchronous (registered.) The output data signals can be synchronous or asynchronous. Reset is asynchronous. All signals share a common clock, clock enable, and reset. Table 7 shows the possible sources for the clock, clock enable and reset signals.

Figure 11. Single-Port SRAM Block Diagram

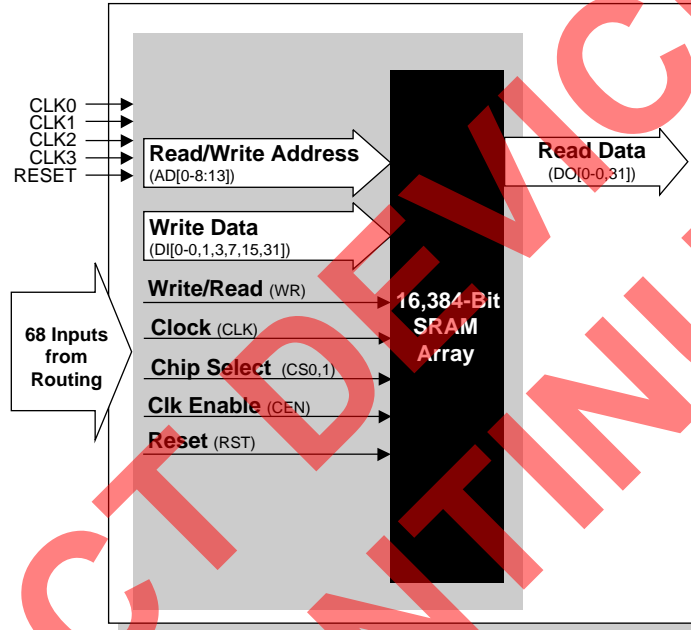


Table 7. Register Clock, Clock Enable, and Reset in Single-Port SRAM Mode

| Register | Input | Source |
|---|--------------|---|
| Address, Write Data, Read Data, Read/Write, and Chip Select | Clock | CLK or one of the global clocks (CLK0 - CLK3). Each of these signals can be inverted if required. |
| | Clock Enable | CEN or one of the global clocks (CLK1 - CLK 2). Each of these signals can be inverted if required. |
| | Reset | Created by the logical OR of the global reset signal and RST. RST is routed by the multifunction array from GRP, with inversion if desired. |

FIFO Mode

In FIFO Mode the multi-function array is configured as a FIFO (First In First Out) buffer with built in control. The read and write clocks can be different or the same dependent on the application. Four flags show the status of the FIFO; Full, Empty, Almost Full, and Almost Empty. The thresholds for Full, Almost full and Almost empty are programmable by the user. It is possible to reset the read pointer, allowing support of frame retransmit in communications applications. If desired, the block can be used in show ahead mode allowing the early reading of the next read address.

In this mode one ports accesses 16,384-bits of memory. Data widths of 1, 2, 4, 8, 16 and 32 are supported by the MFB. Figure 12 shows the block diagram of the FIFO.

Write data, write enable, flag outputs and read enable are synchronous. The Write Data, Almost Full and Full share the same clock and clock enables. Read outputs are synchronous although these can be configured in look ahead mode. The Read Data, Empty and Almost Empty signals share the same clock and clock enables. Reset is shared by all signals. Table 8 shows the possible sources for the clock, clock enable and reset signals for the various registers.

Figure 12. FIFO Block Diagram

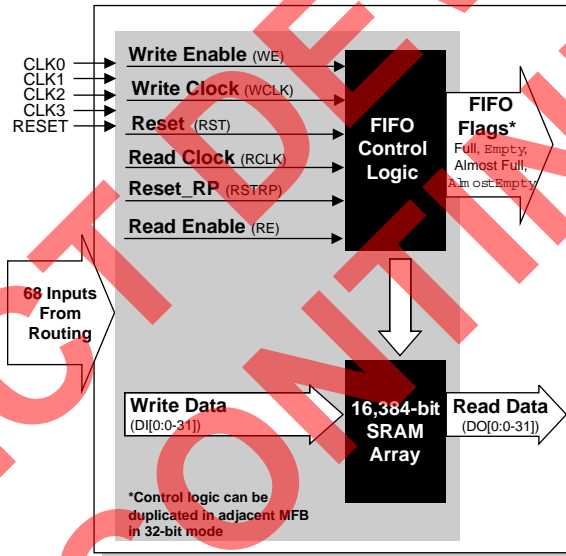


Table 8. Register Clocks, Clock Enables, and Initialization in FIFO Mode

| Register | Input | Source |
|---|--------------|---|
| Write Data, Write Enable | Clock | WCLK or one of the global clocks (CLK0 - CLK3). Each of these signals can be inverted if required. |
| | Clock Enable | WE or one of the global clocks (CLK1 - CLK 2). Each of these signals can be inverted if required. |
| | Reset | N/A |
| Full and Almost Full Flags | Clock | WCLK or one of the global clocks (CLK0 - CLK3). Each of these signals can be inverted if required. |
| | Clock Enable | WE or one of the global clocks (CLK1 - CLK 2). Each of these signals can be inverted if required. |
| | Reset | Created by the logical OR of the global reset signal and RST. RST is routed by the multifunction array from GRP, with inversion if desired. |
| Read Data, Empty and Almost Empty Flags | Clock | RCLK or one of the global clocks (CLK0 - CLK3). Each of these signals can be inverted if required. |
| | Clock Enable | RE or one of the global clocks (CLK1 - CLK 2). Each of these signals can be inverted if required. |
| | Reset | Created by the logical OR of the global reset signal and RST. RST is routed by the multifunction array from GRP, with inversion if desired. |

CAM Mode

In CAM Mode the multi-function array is configured as a Ternary Content Addressable Memory (CAM). CAM behaves like a reverse memory where the input is data and the output is an address. It can be used to perform a variety of high-performance look-up functions. As such, CAM has two modes of operation. In write or update mode the CAM behaves as a RAM and data is written to the supplied address. In read or compare operations data is supplied to the CAM and if this matches any of the data in the array the Match and Multiple Match (if there is more than one match) flags are set to true and the lowest address with matching data is output. The CAM contains 128 entries of 48 bits. Figure 13 shows the block diagram of the CAM.

To further enhance the flexibility of the CAM a mask register is available. If enabled during updates, bits corresponding with those set to 1 in the mask register are not updated. If enabled during compare operations, bits corresponding to those set to 1 in the mask register are not included in the compare. A write don't care signal allows don't cares to be programmed into the CAM if desired. Like other write operations the mask register controls this.

The write/comp data, write address, write enable, write chip select, and write don't care signals are synchronous. The CAM Output signals, match flag, and multimatch flag can be synchronous or asynchronous. The Enable mask register input is not latched but must meet setup and hold times relative to the write clock. All inputs must use the same clock and clock enable signals. All outputs must use the same clock and clock enable signals. Reset is common for both inputs and outputs. Table 9 shows the allowable sources for clock, clock enable, and reset for the various CAM registers.

Figure 13. CAM Mode

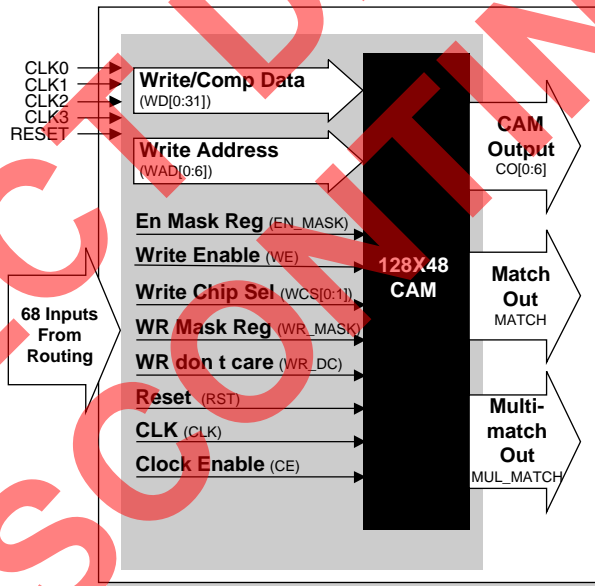


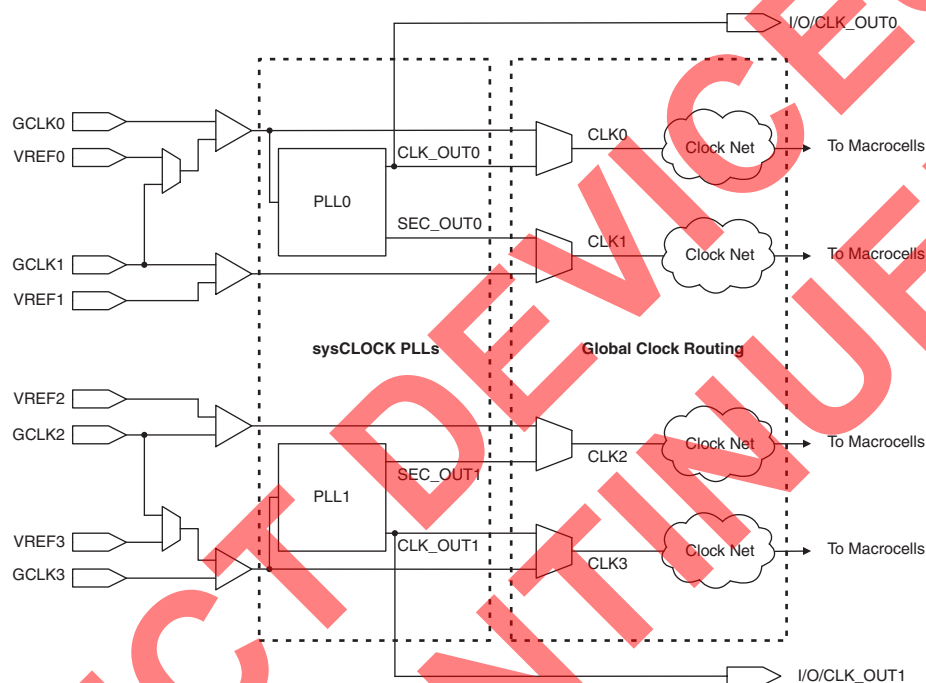
Table 9. Register Clocks, Clock Enables, and Initialization in CAM Mode

| Register | Input | Source |
|---|--------------|--|
| Write data, Write address, Enable mask register, Write enable, write chip select, and write don't care, CAM Output, Match, and Multimatch | Clock | CLK or one of the global clocks (CLK0 - CLK3). Each of these signals can be inverted if required. |
| | Clock Enable | WE or one of the global clocks (CLK1 - CLK 2). Each of these signals can be inverted if required. |
| | Reset | Created by the logical OR of the global reset signal and RST. RST is routed by the multifunction array from GRP, with inversion if desired |

Clock Distribution

The ispXPLD 5000MX family has four dedicated clock input pins: GCLK0-GCLK3. GCLK0 and GCLK3 can be routed through a PLL circuit or routed directly to the internal clock nets. The internal clock nets (CLK0-CLK3) are directly related to the dedicated clock pins (see Secondary Clock Divider exception when using the sysCLOCK circuit). These feed the registers in the MFBs. Note at each register there is the option of inverting the clock if required. Figure 14 shows the clock distribution network.

Figure 14. Clock Distribution Network



sysCLOCK PLL

The sysCLOCK PLL circuitry consists of Phase-Lock Loops (PLLs) and the various dividers, reset and feedback signals associated with the PLLs. This feature gives the user the ability to synthesize clock frequencies and generate multiple clock signals for routing within the device. Furthermore, it can generate clock signals that are de-skewed either at the board level or the device level.

The ispXPLD 5000MX devices provide two PLL circuits. PLL0 receives its clock inputs from GCLK 0 and provides outputs to CLK 0 (CLK 1 when using the secondary clock). PLL1 operates with signals from GCLK 3 and CLK 3 (CLK 2 when using the secondary clock). The optional outputs CLK_OUT can be routed to an I/O pin. The optional PLL_LOCK output is routed into the GRP. The optional input PLL_RST can be routed either from the GRP or directly from an I/O pin. The optional PLL_FBK into can be routed directly from a pin. Figure 15 shows the ispXPLD 5000MX PLL block diagram. Figure 16 shows the connection of optional inputs and outputs.

Figure 15. PLL Block Diagram

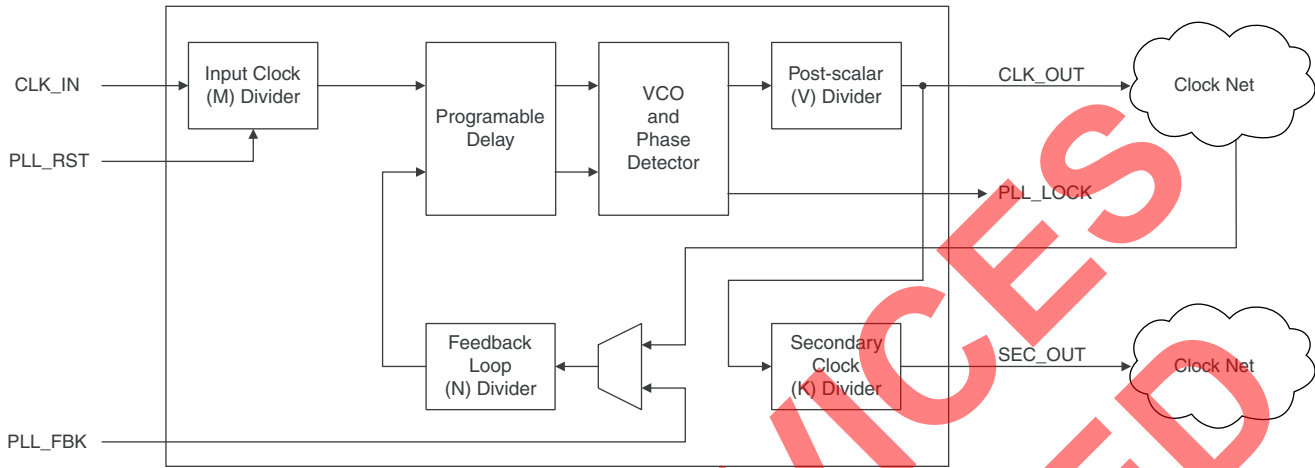
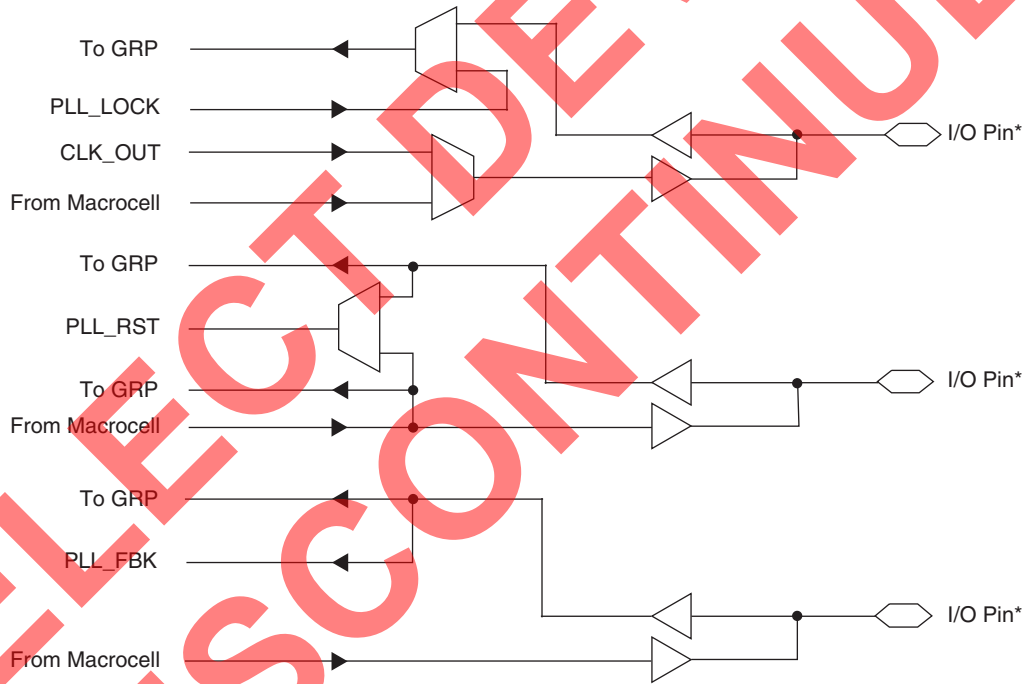


Figure 16. Connection of Optional PLL Inputs and Outputs



*See pinout table for details

In order to facilitate the multiply and divide capabilities of the PLL, each PLL has dividers associated with it: M, N and K. The M divider is used to divide the clock signal, while the N divider is used to multiply the clock signal. The K divider is only used when a secondary clock output is needed. This divider divides the primary clock output and feeds to a separate global clock net. The V divider is used to provide lower frequency output clocks, while maintaining a stable, high frequency output from the PLL's VCO circuit. The PLL also has a delay feature that allows the output clock to be advanced or delayed to improve set-up and clock-to-out times for better performance. For more information on the PLL, please refer to TN1003, [sysCLOCK PLL Usage Guide for ispXPGA, ispGDX2, ispXPLD and ispMACH 5000VG Devices](#).

Output Sharing Array (OSA)

A number of I/O pads are available in each sysIO bank to route the selected number of macrocells from the MFB outputs directly to the I/O pads in logic mode. In the ispXPLD 5000MX, the large number of inputs and PTs to the MFB as well as the presence of the PTSA can cover most routing flexibility of signals to I/O cells. The Output Sharing Array gives additional routing capability and I/O access to an MFB when a wide output function takes up the whole MFB and cannot be easily divided across multiple MFBs. By using the OSA, the wide output function, such as 32-bit FIFO, can have all of its output signals from the one MFB routed to I/O cells. In a given I/O block, the wide output functions must share the I/O pads with other logic functions.

The OSA bypass option routes the MFB signal directly to the I/O cell, allowing a direct connection to the I/O cell. The logic functions use the option to provide faster speed to the outputs. The Logic Signal Connection tables list the OSA bypass as the primary macrocell and OSA options as alternate macrocells. Similarly, the Alternate Input listing in the table shows the alternate macrocell input connection for a given I/O pin. Figure 17 shows the alternate macrocell connections in an I/O cell.

sysIO Banks

The ispXPLD 5000MX devices are divided into four sysIO banks, consisting of multiple I/O cells, where each bank is capable of supporting 16 different I/O standards. Each sysIO bank has its own I/O voltage (V_{CCO}) and reference voltage (V_{REF}) resources allowing complete independence from the others.

I/O Cell

The I/O cell of the ispXPLD 5000MX devices contains an output enable (OE) MUX, a programmable tri-state output buffer, a programmable input buffer, and programmable bus-maintenance circuitry.

The I/O cell receives inputs from its associated macrocells and the device pin. The I/O cell has a feedback line to its associated macrocells and a direct path to GRP. The output enable (OE) MUX selects the OE signal per I/O cell. The inputs to the OE MUX are the four global PTOE signals, PTOE and the two GOE signals. The OE MUX also has the ability to choose either the true or inverse of each of these signals. The output of the OE MUX goes through a logical AND with the TOE signal to allow easy tri-stating of the outputs for testing purposes. The MFBs are grouped into segments of four for the purpose of generating Shared PTOE signals. Each Shared PTOE signal is derived from PT 163 from one of the four MFBs. Table 10 shows the segments. The PTOE signal is derived from the first product term in each macrocell cluster, which is directly routed to the OE MUX. Therefore, every I/O cell can have a different OE signal. Figure 17 is a graphical representation of the I/O cell.

Figure 17. I/O Cell



Table 10. Shared PTOE Segments

| Device | MFBs Associated With Segments |
|-----------------|--|
| ispXPLD 5256MX | (A, B, C, D) (E, F, G, H) |
| ispXPLD 5512MX | (A, B, C, D) (E, F, G, H) (I, J, K, L) (M, N, O, P) |
| ispXPLD 5768MX | (A, B, C, D) (E, F, G, H) (I, J, K, L) (M, N, O, P) (Q, R, S, T) (U, V, W, Z) |
| ispXPLD 51024MX | (A, B, C, D) (E, F, G, H) (I, J, K, L) (M, N, O, P) (Q, R, S, T) (U, V, W, Z) (Y, Z, AA, AB) (AC, AD, AE, AF) |

sysIO Standards

Each I/O within a bank is individually configurable based on the V_{CCO} and V_{REF} settings. Some standards also require the use of an external termination voltage. Table 12 lists the sysIO standards with the typical values for V_{CCO} , V_{REF} and V_{TT} . For more information on the sysIO capability, refer to TN1000, [sysIO Usage Guidelines for Lattice Devices](#).

Table 11. Number of I/Os per Bank

| Device | Maximum Number of I/Os per Bank (n) |
|-----------------|-------------------------------------|
| ispXPLD 5256MX | 36 |
| ispXPLD 5512MX | 68 |
| ispXPLD 5768MX | 96 |
| ispXPLD 51024MX | 96 |

Table 12. ispXPLD 5000MX Supported I/O Standards

| sysIO Standard | Nominal V _{CCO} | Nominal V _{REF} | Nominal V _{TT} |
|----------------------|--------------------------|--------------------------|-------------------------|
| LVTTL | 3.3V | N/A | N/A |
| LVC MOS-3.3 | 3.3V | N/A | N/A |
| LVC MOS-2.5 | 2.5V | N/A | N/A |
| LVC MOS-1.8 | 1.8V | N/A | N/A |
| PCI 3.3V | 3.3V | N/A | N/A |
| AGP-1X | 3.3V | N/A | N/A |
| SSTL3, Class I & II | 3.3V | 1.5V | 1.5V |
| SSTL2, Class I & II | 2.5V | 1.25V | 1.25V |
| CTT 3.3 | 3.3V | 1.5V | 1.5V |
| CTT 2.5 | 2.5V | 1.25V | 1.25V |
| HSTL, Class I | 1.5V | 0.75V | 0.75V |
| HSTL, Class III | 1.5V | 0.9V | 0.75V |
| HSTL, Class IV | 1.5V | 0.9V | 0.75V |
| GTL+ | N/A | 1.0V | 1.5V |
| LVPECL, Differential | 2.5V, 3.3V | N/A | N/A |
| LVDS | 2.5V, 3.3V | N/A | N/A |

Table 13. Differential Interface Standard Support¹

| | | sysIO Buffer |
|--------|----------|--|
| LVDS | Driver | Supported |
| | Receiver | Supported with standard termination |
| LVPECL | Driver | Supported with external resistor network |
| | Receiver | Supported with termination |

1. For more information, refer to TN1000 – [sysIO Usage Guidelines for Lattice Devices](#).

Control, Clock, sysCONFIG and JTAG Signals

Global clock pins support the same sysIO standards as general purpose I/O. When required the V_{REF} signal is derived from the adjacent bank. When differential standards are supported two adjacent clock pins are paired to form the input. The TOE, PROGRAM, CFG0 and DONE pins of the ispXPLD 5000MX device are the only pins that do not have sysIO capabilities. The JTAG TAP pins support only LVC MOS 3.3, 2.5 and 1.8V standards. The voltage is controlled by V_{CCJ}. These pins only support the LVTTL and LVC MOS standards applicable to the power supply voltage of the device. The global reset global output enable pins are associated with Bank 2 and support all of the sysIO standards.

Hotsocketing

The I/O on the ispXPLD 5000MX devices are well suited for those applications that require hot socketing capability, when configured as LVC MOS or LVTTL. Hot socketing a device requires that the device, when powered down, can tolerate active signals on the I/Os and inputs without being damaged. Additionally, it requires that the effects of the powered-down device be minimal on active signals.

Programmable Drive Strength

The drive strength of I/Os that are programmed as LVC MOS is tightly controlled and can be programmed to a variety of different values. Thus the impedance an output driver can be closely match to the characteristic impedance of the line it is driving. This allows users to eliminate the need for external series termination resistors.

Programmable Slew Rate

The slew rate of outputs is carefully controlled. When outputs are configured as LVCMOS the devices support two slew rates. This allows system noise and performance to be balanced in a design.

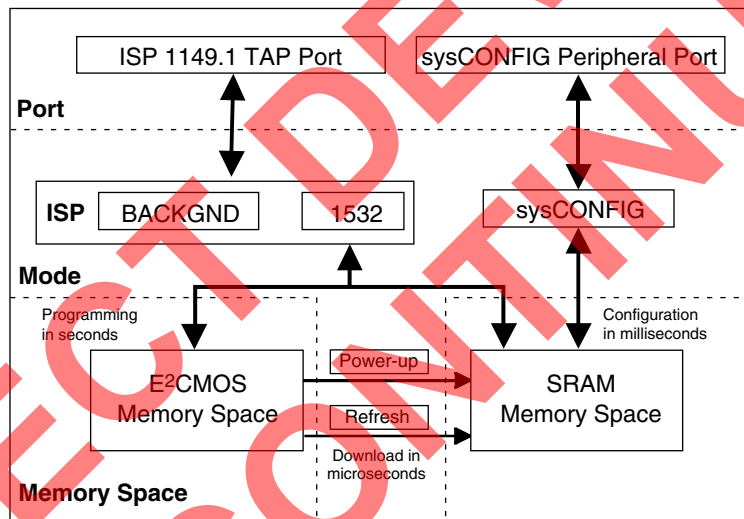
Programmable Bus-Maintenance

All general-purpose inputs have programmable bus maintenance circuitry. These are intended to maintain a valid logic level into a device when driving devices go into the tri-state mode. Four options are available for users: pull-up, pull-down, bus-keeper, or nothing.

Expanded In-System Programmability (ispXP)

The ispXPLD 5000MX family utilizes a combination of EEPROM non-volatile cells and SRAM technology to deliver a logic solution that provides “instant-on” at power-up, a convenient single chip solution, and the capability for infinite reconfiguration. A non-volatile array distributed within the device stores the device configuration. At power-up this information is transferred in a massively parallel fashion into SRAM bits that control the operation of the device. Figure 18 shows the different ports and modes that are used in the configuration and programming of the ispXPLD 5000MX devices.

Figure 18. ispXP Block Diagram



IEEE 1532 ISP

In-system programming of devices provides a number of significant benefits including rapid prototyping, lower inventory levels, higher quality and the ability to make in-field modifications. All ispXPLD 5000MX devices provide in-system programmability through their Boundary Scan Test Access Port. This capability has been implemented in a manner that ensures that the port remains compliant to the IEEE 1532 standard. By using IEEE 1532 as the communication interface through which ISP is achieved, customers get the benefit of a standard, well-defined interface.

The IEEE1532 programming interface allows programming of either the non-volatile array or reconfiguration of the SRAM bits.

The ispXPLD 5000MX devices can be programmed across the commercial temperature and voltage range. The PC-based Lattice software facilitates in-system programming of ispXPLD 5000MX devices. The software takes the JEDEC file output produced by the design implementation software, along with information about the scan chain, and creates a set of vectors used to drive the scan chain. The software can use these vectors to drive a scan chain via the parallel port of a PC. Alternatively, the software can output files in formats understood by common automated test equipment. This equipment can then be used to program ispXPLD 5000MX devices during the testing of a circuit board.

sysCONFIG Interface

In addition to being able to program the device through the IEEE 1532 interface a microprocessor style interface (sysCONFIG interface) allows reconfiguration of the SRAM bits within the device. For more information on the sysCONFIG capability, refer to TN1026, [ispXP Configuration Usage Guidelines](#).

Security Scheme

A programmable security scheme is provided on the ispXPLD 5000MX devices as a deterrent to unauthorized copying of the array configuration patterns. Once programmed, this bit prevents readback of the programmed pattern by a device programmer, securing proprietary designs from competitors. The security bit also prevents programming and verification. The entire device must be erased in order to erase the security bit.

Low Power Consumption

The ispXPLD 5000MX devices use zero power non-volatile cells along with full CMOS design to provide low static power consumption. The 1.8V core reduces dynamic power consumption compared with devices with higher core voltages. For information on estimating power consumption, refer to TN1031 [Power Estimation in ispXPLD 5000MX Devices](#).

Density Migration

The ispXPLD 5000MX family has been designed to ensure that different density devices in the same package have compatible pin-outs. Furthermore, the architecture ensures a high success rate when performing design migration from lower density parts to higher density parts. In many cases, it is possible to shift a lower utilization design targeted for a high-density device to a lower density device. However, the exact details of the final resource utilization will impact the likely success in each case.

IEEE 1149.1-Compliant Boundary Scan Testability

All ispXPLD 5000MX devices have boundary scan cells and are compliant to the IEEE 1149.1 standard. This allows functional testing of the circuit board on which the device is mounted through a serial scan path that can access all critical logic nodes. Internal boundary scan registers are linked internally, allowing test data to be shifted in and loaded directly onto test nodes, or test node data to be captured and shifted out for verification. In addition, these devices can be linked into a board-level serial scan path for board-level testing. The test access port has its own supply voltage and can operate with LVCMOS3.3, 2.5 and 1.8V standards.

sysIO Quick Configuration

To facilitate the most efficient board test, the physical nature of the I/O cells must be set before running any continuity tests. As these tests are fast, by nature, the overhead and time that is required for configuration of the I/Os' physical nature should be minimal so that board test time is minimized. The ispXPLD 5000MX family of devices allows this by offering the user the ability to quickly configure the physical nature of the sysIO cells. This quick configuration takes milliseconds to complete, whereas it takes seconds for the entire device to be programmed. Lattice's ispVM™ System programming software can either perform the quick configuration through the PC parallel port, or can generate the ATE or test vectors necessary for a third-party test system.

Absolute Maximum Ratings^{1, 2, 3}

| | ispXPLD 5000MC 1.8V | ispXPLD 5000MB/V 2.5V/3.3V |
|---|------------------------|-------------------------------|
| Supply Voltage (V_{CC}) | -0.5 to 2.5V | -0.5 to 5.5V |
| PLL Supply Voltage (V_{CCP}) | -0.5 to 2.5V | -0.5 to 5.5V |
| Output Supply Voltage (V_{CCO}) | -0.5 to 4.5V | -0.5 to 4.5V |
| IEEE 1149.1 TAP Supply Voltage (V_{CCJ}) | -0.5 to 4.5V | -0.5 to 4.5V |
| Input Voltage Applied ^{4, 5} | -0.5 to 5.5V | -0.5 to 5.5V |
| Storage Temperature | -65 to 150°C | -65 to 150°C |
| Junction Temperature (T_J) with Power Applied | -55 to 150°C | -55 to 150°C |

1. Stress above those listed under the “Absolute Maximum Ratings” may cause permanent damage to the device. Functional operation of the device at these or any other conditions above those indicated in the operational sections of this specification is not implied (while programming, following the programming specifications).
2. Compliance with the Lattice [Thermal Management](#) document is required.
3. All voltages referenced to GND.
4. Overshoot and Undershoot of -2V to ($V_{IHMAX} + 2$) volts not to exceed 6V is permitted for a duration of <20ns.
5. A maximum of 64 I/Os per device with $V_{IN} > 3.6V$ is allowed.

Recommended Operating Conditions

| Symbol | Parameter | Min. | Max. | Units |
|-----------|--|------|------|-------|
| V_{CC} | Supply Voltage for 1.8V Devices (ispXPLD 5000MC) | 1.65 | 1.95 | V |
| | Supply Voltage for 2.5V Devices (ispXPLD 5000MB) | 2.3 | 2.7 | V |
| | Supply Voltage for 3.3V Devices (ispXPLD 5000MV) | 3 | 3.6 | V |
| V_{CCP} | PLL Block Supply Voltage for PLL 1.8V Devices | 1.65 | 1.95 | V |
| | PLL Block Supply Voltage for PLL 2.5V Devices | 2.3 | 2.7 | V |
| | PLL Block Supply Voltage for PLL 3.3V Devices | 3 | 3.6 | V |
| T_J | Junction Temperature (Commercial Operation) | 0 | 90 | C |
| | Junction Temperature (Industrial Operation) | -40 | 105 | C |

E²CMOS Erase Reprogram Specifications

| Parameter | Min. | Max. | Units |
|------------------------------------|-------|------|--------|
| Erase/Reprogram Cycle ¹ | 1,000 | — | Cycles |

1. Valid over commercial temperature range.

Hot Socketing Characteristics^{1, 2, 3, 4}

| Symbol | Parameter | Condition | Min. | Typ. | Max. | Units |
|----------|------------------------------|---------------------|------|-------|--------|-------|
| I_{DK} | Input or I/O Leakage Current | 0 ≤ V_{IN} ≤ 3.0V | — | +/-50 | +/-800 | μA |

1. Insensitive to sequence of V_{CC} and V_{CCO} when $V_{CCO} \leq 1.0V$. For $V_{CCO} > 1.0V$, V_{CC} min must be present. However, assumes monotonic rise/fall rates for V_{CC} and V_{CCO} , provided $(V_{IN} - V_{CCO}) \leq 3.6V$.
2. 0 ≤ V_{CC} ≤ V_{CC} (MAX), 0 ≤ V_{CCO} ≤ V_{CCO} (MAX)
3. I_{DK} is additive to I_{PU} , I_{PD} or I_{BH} . Device defaults to pull-up until non-volatile cells are active.
4. LVTTTL, LVCMOS only.

DC Electrical Characteristics

Over Recommended Operating Conditions

| Symbol | Parameter | Condition | Min. | Typ. | Max. | Units |
|--------------------|---------------------------------------|---|------------------|------|------------------|---------|
| I_{IL}, I_{IH}^1 | Input or I/O Leakage | $0 \leq V_{IN} \leq (V_{CCO} - 0.2V)$ | — | — | 10 | μA |
| | | $(V_{CCO} - 0.2V) < V_{IN} \leq 3.6V$ | — | — | 40 | μA |
| I_{IH}^4 | Input High Leakage Current | $3.6V < V_{IN} \leq 5.5V$ and $3.0V \leq V_{CCO} \leq 3.6V$ | — | — | 3 | mA |
| I_{PU}^3 | I/O Active Pullup Current | $0 \leq V_{IN} \leq 0.7 V_{CCO}$ | -30 | — | -150 | μA |
| I_{PD} | I/O Active Pulldown Current | $V_{IL} (MAX) \leq V_{IN} \leq V_{IH} (MAX)$ | 30 | — | 150 | μA |
| I_{BHLS} | Bus Hold Low Sustaining Current | $V_{IN} = V_{IL} (MAX)$ | 30 | — | — | μA |
| I_{BHHS} | Bus Hold High Sustaining Current | $V_{IN} = 0.7 V_{CCO}$ | 30 | — | — | μA |
| I_{BHLO} | Bus Hold Low Overdrive Current | $0 \leq V_{IN} \leq V_{IH} (MAX)$ | — | — | 150 | μA |
| I_{BHHO} | Bus Hold High Overdrive Current | $0 \leq V_{IN} \leq V_{IH} (MAX)$ | — | — | 150 | μA |
| V_{BHT} | Bus Hold Trip Points | $0 \leq V_{IN} \leq V_{IH} (MAX)$ | $V_{CCO} * 0.35$ | — | $V_{CCO} * 0.65$ | μA |
| C1 | I/O Capacitance ² | $V_{CCO} = 3.3V, 2.5V, 1.8V$ | — | 8 | — | pf |
| | | $V_{CC} = 1.8V, V_{IO} = 0$ to $V_{IH} (MAX)$ | — | 8 | — | pf |
| C2 | Clock Capacitance ² | $V_{CCO} = 3.3V, 2.5V, 1.8V$ | — | 8 | — | pf |
| | | $V_{CC} = 1.8V, V_{IO} = 0$ to $V_{IH} (MAX)$ | — | 8 | — | pf |
| C3 | Global Input Capacitance ² | $V_{CCO} = 3.3V, 2.5V, 1.8V$ | — | 8 | — | pf |
| | | $V_{CC} = 1.8V, V_{IO} = 0$ to $V_{IH} (MAX)$ | — | 8 | — | pf |

1. Input or I/O leakage current is measured with the pin configured as an input or as an I/O with the output driver tristated. It is not measured with the output driver active. Bus maintenance circuits are disabled.
2. T_A 25°C, $f=1.0MHz$
3. I_{PU} on JTAG pins has a maximum of -175 μA for 5512MX devices.
4. 5V tolerant inputs and I/Os should be placed in banks where $3.0V \leq V_{CCO} \leq 3.6V$. The JTAG and sysCONFIG ports are not included for the 5V tolerant interface.

Supply Current

| Symbol | Parameter | Condition | Min. | Typ. ³ | Max. | Units |
|--------------------------------|--|---|------|-------------------|------|-------|
| ispXPLD 5256 | | | | | | |
| I _{CC} ^{1,2} | Operating Power Supply Current | V _{CC} = 3.3V, f = 1.0MHz | — | 26 | — | mA |
| | | V _{CC} = 2.5V, f = 1.0MHz | — | 26 | — | mA |
| | | V _{CC} = 1.8V, f = 1.0MHz | — | 16 | — | mA |
| I _{CCO} | Standby Power Supply Current (per I/O Bank) | V _{CCO} = 3.3V, f = 1.0MHz, unloaded | — | 4 | — | mA |
| | | V _{CCO} = 2.5V, f = 1.0MHz, unloaded | — | 4 | — | mA |
| | | V _{CCO} = 1.8V, f = 1.0MHz, unloaded | — | 3 | — | mA |
| I _{CCP} | PLL Power Supply Current (per PLL Bank) | V _{CCP} = 3.3V, f = 10MHz | — | 11 | — | mA |
| | | V _{CCP} = 2.5V, f = 10MHz | — | 11 | — | mA |
| | | V _{CCP} = 1.8V, f = 10MHz | — | 3 | — | mA |
| I _{CCJ} | Standby IEEE 1149.1 TAP Power Supply Current | V _{CCJ} = 3.3V | — | 1 | — | mA |
| | | V _{CCJ} = 2.5V | — | 1 | — | mA |
| | | V _{CCJ} = 1.8V | — | 1 | — | mA |
| ispXPLD 5512 | | | | | | |
| I _{CC} ^{1,2} | Operating Power Supply Current | V _{CC} = 3.3V, f = 1.0MHz | — | 33 | — | mA |
| | | V _{CC} = 2.5V, f = 1.0MHz | — | 33 | — | mA |
| | | V _{CC} = 1.8V, f = 1.0MHz | — | 22 | — | mA |
| I _{CCO} | Standby Power Supply Current (per I/O Bank) | V _{CCO} = 3.3V, f = 1.0MHz, unloaded | — | 4 | — | mA |
| | | V _{CCO} = 2.5V, f = 1.0MHz, unloaded | — | 4 | — | mA |
| | | V _{CCO} = 1.8V, f = 1.0MHz, unloaded | — | 3 | — | mA |
| I _{CCP} | PLL Power Supply Current (per PLL Bank) | V _{CCP} = 3.3V, f = 10MHz | — | 11 | — | mA |
| | | V _{CCP} = 2.5V, f = 10MHz | — | 11 | — | mA |
| | | V _{CCP} = 1.8V, f = 10MHz | — | 3 | — | mA |
| I _{CCJ} | Standby IEEE 1149.1 TAP Power Supply Current | V _{CCJ} = 3.3V | — | 1 | — | mA |
| | | V _{CCJ} = 2.5V | — | 1 | — | mA |
| | | V _{CCJ} = 1.8V | — | 1 | — | mA |
| ispXPLD 5768 | | | | | | |
| I _{CC} ^{1,2} | Operating Power Supply Current | V _{CC} = 3.3V, f = 1.0MHz | — | 40 | — | mA |
| | | V _{CC} = 2.5V, f = 1.0MHz | — | 40 | — | mA |
| | | V _{CC} = 1.8V, f = 1.0MHz | — | 30 | — | mA |
| I _{CCO} | Standby Power Supply Current (per I/O Bank) | V _{CCO} = 3.3V, f = 1.0MHz, unloaded | — | 4 | — | mA |
| | | V _{CCO} = 2.5V, f = 1.0MHz, unloaded | — | 4 | — | mA |
| | | V _{CCO} = 1.8V, f = 1.0MHz, unloaded | — | 3 | — | mA |
| I _{CCP} | PLL Power Supply Current (per PLL Bank) | V _{CCP} = 3.3V, f = 10MHz | — | 11 | — | mA |
| | | V _{CCP} = 2.5V, f = 10MHz | — | 11 | — | mA |
| | | V _{CCP} = 1.8V, f = 10MHz | — | 3 | — | mA |
| I _{CCJ} | Standby IEEE 1149.1 TAP Power Supply Current | V _{CCJ} = 3.3V | — | 1 | — | mA |
| | | V _{CCJ} = 2.5V | — | 1 | — | mA |
| | | V _{CCJ} = 1.8V | — | 1 | — | mA |

Supply Current (Continued)

| Symbol | Parameter | Condition | Min. | Typ. ³ | Max. | Units |
|----------------------|--|--|------|-------------------|------|-------|
| ispXPLD 51024 | | | | | | |
| $I_{CC}^{1,2}$ | Operating Power Supply Current | $V_{CC} = 3.3V, f = 1.0MHz$ | — | 75 | — | mA |
| | | $V_{CC} = 2.5V, f = 1.0MHz$ | — | 75 | — | mA |
| | | $V_{CC} = 1.8V, f = 1.0MHz$ | — | 55 | — | mA |
| I_{CCO} | Standby Power Supply Current (per I/O Bank) | $V_{CCO} = 3.3V, f = 1.0MHz, \text{ unloaded}$ | — | 4 | — | mA |
| | | $V_{CCO} = 2.5V, f = 1.0MHz, \text{ unloaded}$ | — | 4 | — | mA |
| | | $V_{CCO} = 1.8V, f = 1.0MHz, \text{ unloaded}$ | — | 3 | — | mA |
| I_{CCP} | PLL Power Supply Current (per PLL Bank) | $V_{CCP} = 3.3V, f = 10MHz$ | — | 11 | — | mA |
| | | $V_{CCP} = 2.5V, f = 10MHz$ | — | 11 | — | mA |
| | | $V_{CCP} = 1.8V, f = 10MHz$ | — | 3 | — | mA |
| I_{CCJ} | Standby IEEE 1149.1 TAP Power Supply Current | $V_{CCJ} = 3.3V$ | — | 1 | — | mA |
| | | $V_{CCJ} = 2.5V$ | — | 1 | — | mA |
| | | $V_{CCJ} = 1.8V$ | — | 1 | — | mA |

1. Device configured with 16-bit counters.
2. I_{CC} varies with specific device configuration and operating frequency.
3. $T_A = 25^\circ C$

SELECTED DEVICES DISCONTINUED

sysIO Recommended Operating Conditions

| Standard | V _{CCO} (V) ² | | | V _{REF} (V) | | |
|--------------------------|-----------------------------------|---------|------|----------------------|------|-------|
| | Min. | Typ. | Max. | Min. | Typ. | Max. |
| LVC MOS 3.3 | 3.0 | 3.3 | 3.6 | — | — | — |
| LVC MOS 2.5 | 2.3 | 2.5 | 2.7 | — | — | — |
| LVC MOS 1.8 ¹ | 1.65 | 1.8 | 1.95 | — | — | — |
| LV TTL | 3.0 | 3.3 | 3.6 | — | — | — |
| PCI 3.3 | 3.0 | 3.3 | 3.6 | — | — | — |
| AGP-1X | 3.15 | 3.3 | 3.45 | — | — | — |
| SSTL 2 | 2.3 | 2.5 | 2.7 | 1.15 | 1.25 | 1.35 |
| SSTL 3 | 3.0 | 3.3 | 3.6 | 1.3 | 1.5 | 1.7 |
| CTT 3.3 | 3.0 | 3.3 | 3.6 | 1.35 | 1.5 | 1.65 |
| CTT 2.5 | 2.3 | 2.5 | 2.7 | 1.35 | 1.5 | 1.65 |
| HSTL Class I | 1.4 | 1.5 | 1.6 | 0.68 | 0.75 | 0.9 |
| HSTL Class III | 1.4 | 1.5 | 1.6 | — | 0.9 | — |
| HSTL Class IV | 1.4 | 1.5 | 1.6 | — | 0.9 | — |
| GTL+ | 1.4 | — | 3.6 | 0.882 | 1.0 | 1.122 |
| LVDS | 2.3 | 2.5/3.3 | 3.6 | — | — | — |

1. Design tools default setting.

2. Inputs are independent of V_{CCO} setting. However, V_{CCO} must be set within the valid operating range for one of the supported standards.

sysIO Single Ended DC Electrical Characteristics
Over Recommended Operating Conditions

| Input/Output Standard | V _{IL} | | V _{IH} | | V _{OL} Max (V) | V _{OH} Min (V) | I _{OL} ² (mA) | I _{OH} ² (mA) |
|--------------------------|-----------------|-------------------------|-------------------------|---------|-------------------------|-------------------------|-----------------------------------|-----------------------------------|
| | Min (V) | Max (V) | Min (V) | Max (V) | | | | |
| LVCMOS 3.3 | -0.3 | 0.8 | 2.0 | 5.5 | 0.4 | 2.4 | 20, 16, 12, 8, 5.33, 4 | -20, -16, -12, -8, -5.33, -4 |
| | | | | | 0.2 | V _{CCO} - 0.2 | 0.1 | -0.1 |
| LVTTTL | -0.3 | 0.8 | 2.0 | 5.5 | 0.4 | 2.4 | 4 | -4 |
| | | | | | 0.2 | V _{CCO} - 0.2 | 0.1 | -0.1 |
| LVCMOS 2.5 | -0.3 | 0.7 | 1.7 | 3.6 | 0.4 | V _{CCO} - 0.4 | 16, 12, 8, 5.33, 4 | -16, -12, -8, -5.33, -4 |
| | | | | | 0.2 | V _{CCO} - 0.2 | 0.1 | -0.1 |
| LVCMS 1.8 ^{1,3} | -0.3 | 0.68 | 1.07 | 3.6 | 0.4 | V _{CCO} - 0.4 | 8 | -8 |
| LVCMOS 1.8 ³ | -0.3 | 0.68 | 1.07 | 3.6 | 0.4 | V _{CCO} - 0.4 | 12, 5.33, 4 | -12, -5.33, -4 |
| | | | | | 0.2 | V _{CCO} - 0.2 | 0.1 | -0.1 |
| PCI 3.3 ⁴ | -0.3 | 1.08 | 1.5 | 3.6 | 0.1 V _{CCO} | 0.9 V _{CCO} | 1.5 | -0.5 |
| AGP-1X ⁴ | -0.3 | 1.08 | 1.5 | 3.6 | 0.1 V _{CCO} | 0.9 V _{CCO} | 1.5 | -0.5 |
| SSTL3 class I | -0.3 | V _{REF} - 0.2 | V _{REF} + 0.2 | 3.6 | 0.7 | V _{CCO} - 1.1 | 8 | -8 |
| SSTL3 class II | -0.3 | V _{REF} - 0.2 | V _{REF} + 0.2 | 3.6 | 0.5 | V _{CCO} - 0.9 | 16 | -16 |
| SSTL2 class I | -0.3 | V _{REF} - 0.18 | V _{REF} + 0.18 | 3.6 | 0.54 | V _{CCO} - 0.62 | 7.6 | -7.6 |
| SSTL2 class II | -0.3 | V _{REF} - 0.18 | V _{REF} + 0.18 | 3.6 | 0.35 | V _{CCO} - 0.43 | 15.2 | -15.2 |
| CTT 3.3 | -0.3 | V _{REF} - 0.2 | V _{REF} + 0.2 | 3.6 | V _{REF} - 0.4 | V _{REF} + 0.4 | 8 | -8 |
| CTT 2.5 | -0.3 | V _{REF} - 0.3 | V _{REF} + 0.2 | 3.6 | V _{REF} - 0.4 | V _{REF} + 0.4 | 8 | -8 |
| HSTL class I | -0.3 | V _{REF} - 0.1 | V _{REF} + 0.1 | 3.6 | 0.4 | V _{CCO} - 0.4 | 8 | -8 |
| HSTL class III | -0.3 | V _{REF} - 0.2 | V _{REF} + 0.1 | 3.6 | 0.4 | V _{CCO} - 0.4 | 24 | -8 |
| HSTL class IV | -0.3 | V _{REF} - 0.3 | V _{REF} + 0.1 | 3.6 | 0.4 | V _{CCO} - 0.4 | 48 | -8 |
| GTL+ | -0.3 | V _{REF} - 0.2 | V _{REF} + 0.2 | 3.6 | 0.6 | n/a | 36 | n/a |

1. Software default setting.
2. The average DC current drawn by I/Os between adjacent bank GND connections, or between the last GND in an I/O bank and the end of the I/O bank, as shown in the logic signals connection table, shall not exceed n*8mA. Where n is the number of I/Os between bank GND connections or between the last GND in a bank and the end of a bank.
3. For 1.8V devices (ispXPLD 5000MC) these specifications are V_{IL} = 0.35 * V_{CC} and V_{IH} = 0.65 * V_{CC}.
4. For 1.8V devices (ispXPLD 5000MC) these specifications are V_{IL} = 0.3 * V_{CC} * 3.3/1.8, V_{IH} = 0.5 * V_{CC} * 3.3/1.8.

sysIO Differential DC Electrical Characteristics

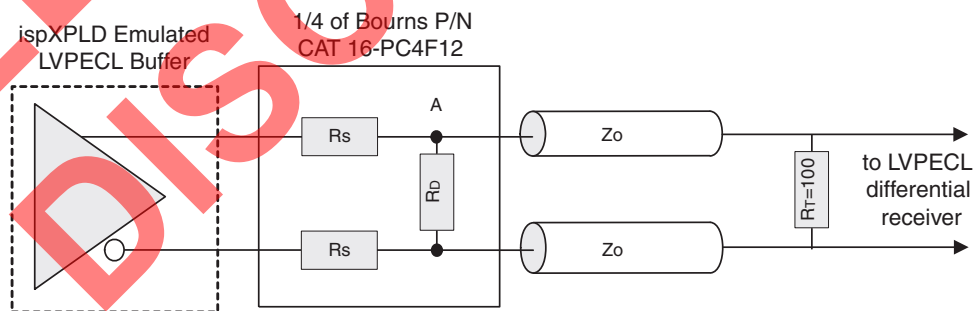
Over Recommended Operating Conditions

| Parameter | Description | Test Conditions | Min. | Typ. | Max. |
|-----------------|--|--|----------|-------|---------|
| LVDS | | | | | |
| V_{INP} | Input Voltage | | 0V | — | 2.4V |
| V_{THD} | Differential Input Threshold | $0.2 \delta V_{CM} \delta 1.8V$ | +/-100mV | — | — |
| I_{IN} | Input Current | Power On | — | — | +/-10uA |
| V_{OH} | Output High Voltage for V_{OP} or V_{OM} | $R_T = 100 \text{ Ohm}$ | — | 1.38V | 1.60V |
| V_{OL} | Output Low Voltage for V_{OP} or V_{OM} | $R_T = 100 \text{ Ohm}$ | 0.9V | 1.03V | — |
| V_{OD} | Output Voltage Differential | $(V_{OP} - V_{OM}), R_T = 100 \text{ Ohm}$ | 250mV | 350mV | 450mV |
| ΔV_{OD} | Change in V_{OD} Between High and Low | | — | — | 50mV |
| V_{OS} | Output Voltage Offset | $(V_{OP} - V_{OM})/2, R_T = 100 \text{ Ohm}$ | 1.125V | 1.20V | 1.375V |
| ΔV_{OS} | Change in V_{OS} Between H and L | | — | — | 50mV |
| I_{OSD} | Output Short Circuit Current | $V_{OD} = 0V$ Driver outputs shorted | — | — | 24mA |

| LVPECL¹ | | | | | | | | |
|---------------------------|----------------------------|------------|-------|------------|-------|------------|-------|----------|
| DC Parameter | Parameter Description | Min. | Max. | Min. | Max. | Min. | Max. | Units |
| V_{CCO} | | 3.0 | | 3.3 | | 3.6 | | V |
| V_{IH} | Input Voltage High | 1.49 | 2.72 | 1.49 | 2.72 | 1.49 | 2.72 | V |
| V_{IL} | Input Voltage Low | 0.86 | 2.125 | 0.86 | 2.125 | 0.86 | 2.125 | V |
| V_{OH} | Output Voltage High | 1.7 | 2.11 | 1.92 | 2.28 | 2.03 | 2.41 | V |
| V_{OL} | Output Voltage Low | 0.96 | 1.27 | 1.06 | 1.43 | 1.3 | 1.57 | V |
| V_{DIFF}^2 | Differential Input voltage | 0.3 | — | 0.3 | — | 0.3 | — | V |

1. These values are valid at the output of the source termination pack as shown above with 100-ohm differential load only (see Figure 19). The V_{OH} levels are 200mV below the standard LVPECL levels and are compatible with devices tolerant of the lower common mode ranges.
 2. Valid for $0.2 \delta V_{CM} \delta 1.8V$

Figure 19. LVPECL Driver with Three Resistor Pack



ispXPLD 5000MX Family External Switching Characteristics ^{1, 2, 3}

Over Recommended Operating Conditions

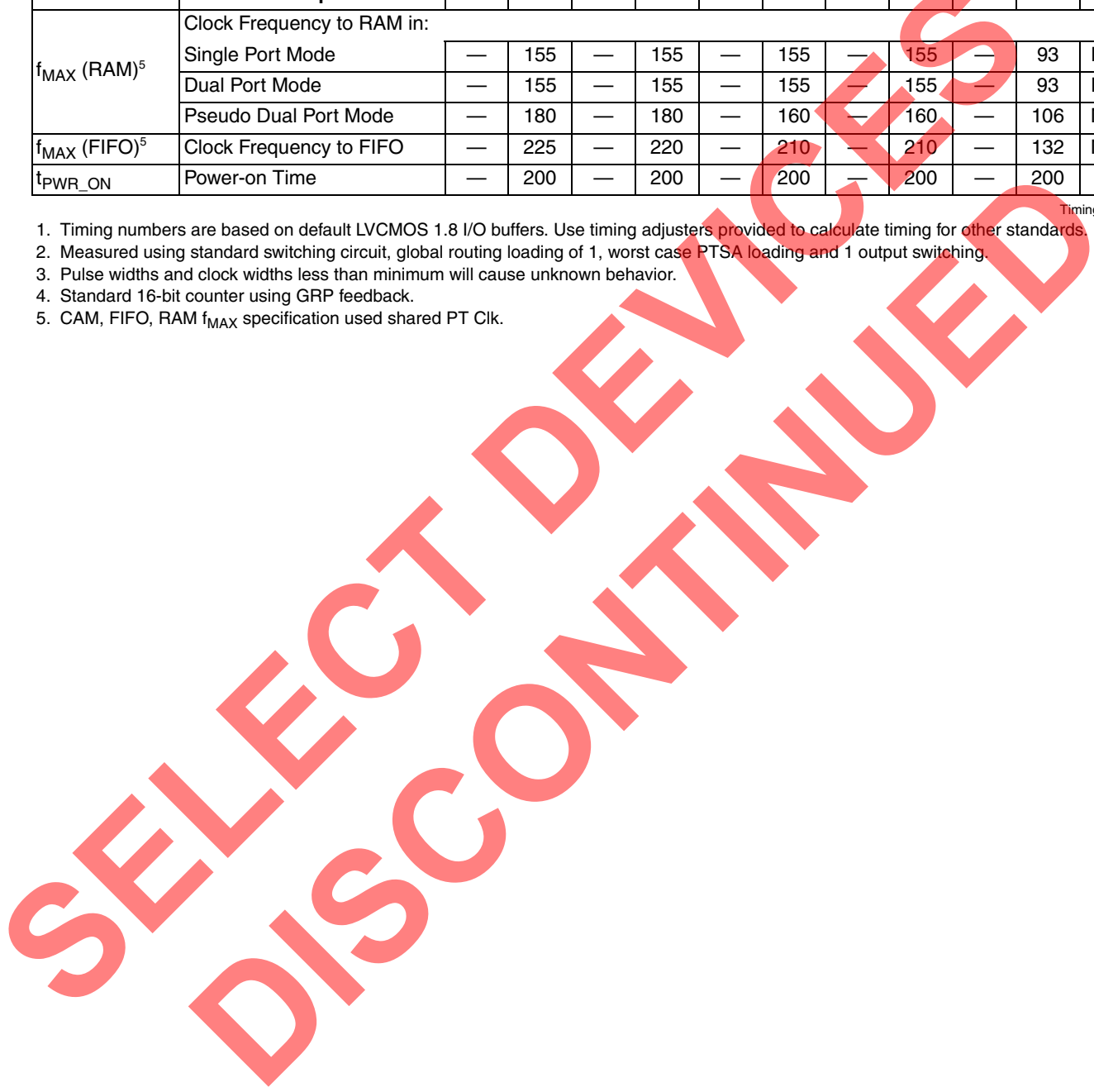
| Parameter | Description | -4 | | -45 | | -5 | | -52 | | -75 | | Units |
|--------------------------------------|--|------|------|------|------|------|------|------|------|------|------|-------|
| | | Min. | Max. | Min. | Max. | Min. | Max. | Min. | Max. | Min. | Max. | |
| t _{PD} | Data Propagation Delay, 5-PT Bypass | — | 4.0 | — | 4.5 | — | 5.0 | — | 5.2 | — | 7.5 | ns |
| t _{PD_PTSA} | Data propagation delay | — | 4.8 | — | 5.7 | — | 6.0 | — | 6.5 | — | 9.5 | ns |
| t _S | MFB Register Setup Time Before Clock, 5-PT Bypass | 2.2 | — | 2.8 | — | 2.8 | — | 3.0 | — | 4.5 | — | ns |
| t _{S_PTSA} | MFB Register Setup Time Before Clock | 2.5 | — | 3.1 | — | 3.1 | — | 3.6 | — | 5.5 | — | ns |
| t _{SIR} | MFB Register Setup Time Before Clock, Input Register Path | 1.0 | — | 1.0 | — | 1.0 | — | 0.5 | — | 1.7 | — | ns |
| t _H | MFB Register Hold Time Before Clock, 5-PT Bypass | 0.0 | — | 0.0 | — | 0.0 | — | 0.0 | — | 0.0 | — | ns |
| t _{H_PTSA} | MFB Register Hold Time Before Clock | 0.0 | — | 0.0 | — | 0.0 | — | 0.0 | — | 0.0 | — | ns |
| t _{HIR} | MFB Register Hold Time Before Clock, Input Register Path | 0.5 | — | 0.5 | — | 0.5 | — | 1.0 | — | 1.3 | — | ns |
| t _{CO} | MFB Register Clock-to-Out-put Delay | — | 2.8 | — | 3.0 | — | 3.2 | — | 3.7 | — | 5.0 | ns |
| t _R | External Reset Pin to Output Delay | — | 4.0 | — | 4.5 | — | 5.0 | — | 5.0 | — | 7.5 | ns |
| t _{RW} | Reset Pulse Duration | 1.8 | — | 1.8 | — | 1.8 | — | 2.0 | — | 3.0 | — | ns |
| t _{LPTOE/DIS} | Input to Output Local Product Term Output Enable/Disable | — | 6.0 | — | 7.0 | — | 7.5 | — | 8.5 | — | 10.5 | ns |
| t _{SPTOE/DIS} | Input to Output Shared Product Term Output Enable/Disable | — | 6.0 | — | 7.0 | — | 7.5 | — | 8.5 | — | 10.5 | ns |
| t _{GOE/DIS} | Global OE Input to Output Enable/Disable | — | 4.5 | — | 5.5 | — | 5.5 | — | 6.5 | — | 7.5 | ns |
| t _{CW} | Clock Width, High or Low | 1.5 | — | 1.5 | — | 1.5 | — | 1.8 | — | 2.5 | — | ns |
| t _{GW} | Gate Width Low (for Low Transparent) or High (for High Transparent) | 1.5 | — | 1.5 | — | 1.5 | — | 1.8 | — | 2.5 | — | ns |
| t _{WIR} | Input Register Clock Width, High or Low | 1.5 | — | 1.5 | — | 1.5 | — | 1.8 | — | 2.5 | — | ns |
| t _{SKEW} | Clock-to-Out Skew, Block Level | — | 0.6 | — | 0.6 | — | 0.6 | — | 0.6 | — | 1.0 | ns |
| f _{MAX} ⁴ | Clock Frequency with Internal Feedback | — | 300 | — | 275 | — | 250 | — | 250 | — | 150 | MHz |
| f _{MAX} (Ext.) | Clock Frequency with External Feedback, 1/ (t _S + t _{CO}) | — | 200 | — | 171 | — | 166 | — | 149 | — | 105 | MHz |
| f _{MAX} (Tog.) | Clock Frequency Max. Toggle | — | 333 | — | 333 | — | 333 | — | 277 | — | 200 | MHz |
| f _{MAX} (CAMC) ⁵ | Clock Frequency to CAM (Configure Mode) | — | 280 | — | 280 | — | 230 | — | 230 | — | 168 | MHz |
| f _{MAX} (CAM) ⁵ | Clock Frequency to CAM (Compare Mode) | — | 150 | — | 150 | — | 150 | — | 135 | — | 90 | MHz |

ispXPLD 5000MX Family External Switching Characteristics (Continued)^{1, 2, 3}
Over Recommended Operating Conditions

| Parameter | Description | -4 | | -45 | | -5 | | -52 | | -75 | | Units |
|--------------------------------------|----------------------------|------|------|------|------|------|------|------|------|------|------|-------|
| | | Min. | Max. | Min. | Max. | Min. | Max. | Min. | Max. | Min. | Max. | |
| f _{MAX} (RAM) ⁵ | Clock Frequency to RAM in: | | | | | | | | | | | |
| | Single Port Mode | — | 155 | — | 155 | — | 155 | — | 155 | — | 93 | MHz |
| | Dual Port Mode | — | 155 | — | 155 | — | 155 | — | 155 | — | 93 | MHz |
| | Pseudo Dual Port Mode | — | 180 | — | 180 | — | 160 | — | 160 | — | 106 | MHz |
| f _{MAX} (FIFO) ⁵ | Clock Frequency to FIFO | — | 225 | — | 220 | — | 210 | — | 210 | — | 132 | MHz |
| t _{PWR_ON} | Power-on Time | — | 200 | — | 200 | — | 200 | — | 200 | — | 200 | µs |

Timing v.1.8

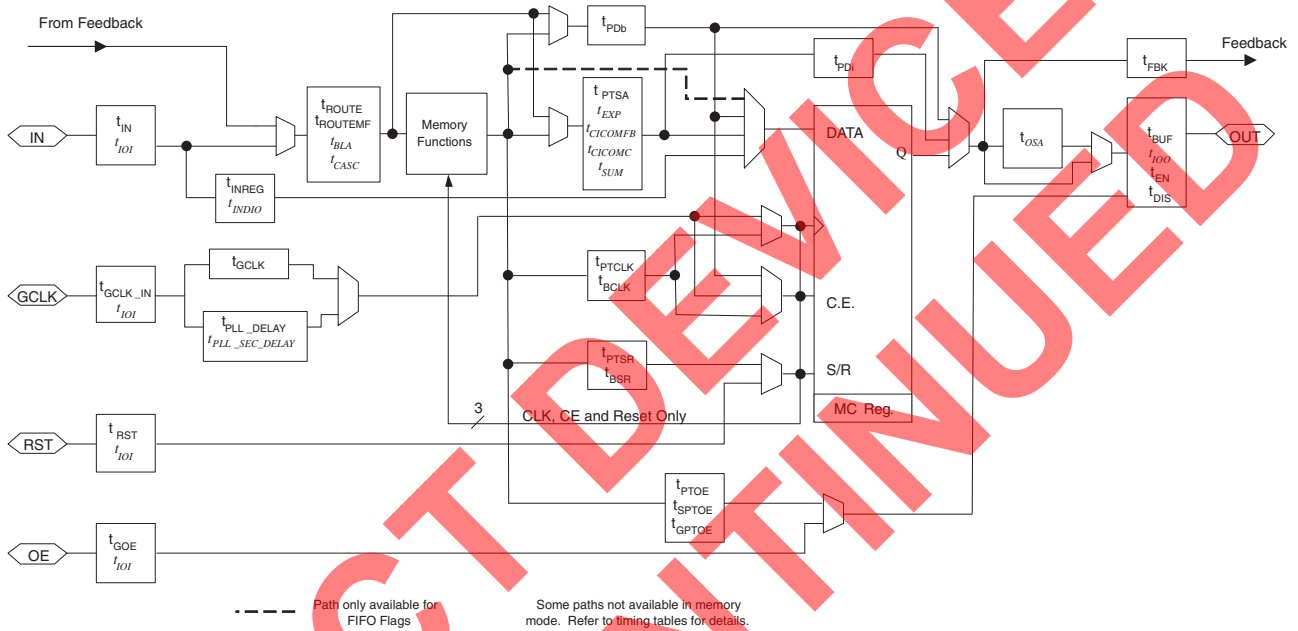
1. Timing numbers are based on default LVCMOS 1.8 I/O buffers. Use timing adjusters provided to calculate timing for other standards.
2. Measured using standard switching circuit, global routing loading of 1, worst case PTSA loading and 1 output switching.
3. Pulse widths and clock widths less than minimum will cause unknown behavior.
4. Standard 16-bit counter using GRP feedback.
5. CAM, FIFO, RAM f_{MAX} specification used shared PT Clk.



Timing Model

The task of determining timing in a ispXPLD 5000MX device is relatively simple. The timing model show in Figure 20 shows the specific delay paths. Once the implementation of a given function is determined either conceptually or from the software report file, the delay path of a function can easily be determined from the timing model. The Lattice design tools report the timing delays based on the same timing model. Note that internal timing parameters are for reference only, and are not tested. The external timing parameters are tested and guaranteed for every device.

Figure 20. ispXPLD 5000MX Timing Model Diagram



SELEC
DISCON
TIMING
MODELS

ispXPLD 5000MX Family Internal Switching Characteristics

Over Recommended Operating Conditions

| Parameter | Description | Base Parameter | -4 | | -45 | | -5 | | -52 | | -75 | | Units |
|-------------------------------|--|----------------|------|------|------|------|------|------|------|------|------|------|-------|
| | | | Min. | Max. | Min. | Max. | Min. | Max. | Min. | Max. | Min. | Max. | |
| In/Out Delays | | | | | | | | | | | | | |
| t _{IN} | Input Buffer Delay | — | — | 0.70 | — | 0.91 | — | 0.96 | — | 1.11 | — | 1.30 | ns |
| t _{GCLK_IN} | Global Clock Input Buffer Delay | — | — | 0.40 | — | 0.35 | — | 0.35 | — | 0.35 | — | 0.55 | ns |
| t _{RST} | Global RESET Pin Delay | — | — | 3.77 | — | 4.24 | — | 4.71 | — | 4.71 | — | 7.07 | ns |
| t _{GOE} | Global OE Pin Delay | — | — | 1.98 | — | 2.66 | — | 2.34 | — | 2.87 | — | 3.27 | ns |
| t _{BUF} | Delay through Output Buffer | — | — | 1.16 | — | 1.30 | — | 1.45 | — | 1.60 | — | 2.17 | ns |
| t _{EN} | Output Enable Time | — | — | 2.52 | — | 2.84 | — | 3.16 | — | 3.63 | — | 4.23 | ns |
| t _{DIS} | Output Disable Time | — | — | 1.92 | — | 2.40 | — | 2.40 | — | 2.40 | — | 3.60 | ns |
| Routing Delays | | | | | | | | | | | | | |
| t _{ROUTE} | Delay through SRP | — | — | 1.95 | — | 2.06 | — | 2.34 | — | 2.24 | — | 3.66 | ns |
| t _{INREG} | Input Buffer to Macrocell Register Delay | — | — | 0.60 | — | 0.60 | — | 0.60 | — | 0.47 | — | 1.63 | ns |
| t _{PTSA} | Product Term Sharing Array Delay | — | — | 0.50 | — | 0.50 | — | 0.53 | — | 0.83 | — | 1.34 | ns |
| t _{FBK} | Internal Feedback Delay | — | — | 0.19 | — | 0.02 | — | 0.39 | — | 0.03 | — | 0.60 | ns |
| t _{GCLK} | Global Clock Tree Delay | — | — | 0.52 | — | 0.32 | — | 0.72 | — | 0.82 | — | 0.78 | ns |
| t _{BCLK} | Block PT Clock Delay | — | — | 0.12 | — | 0.14 | — | 0.15 | — | 0.15 | — | 0.23 | ns |
| t _{PTCLK} | Macrocell PT Clock Delay | — | — | 0.12 | — | 0.14 | — | 0.15 | — | 0.15 | — | 0.23 | ns |
| t _{PLL_DELAY} | Programmable PLL Delay Increment | — | — | 0.30 | — | 0.30 | — | 0.30 | — | 0.30 | — | 0.30 | ns |
| t _{BSR} | Block PT Reset Delay | — | — | 0.72 | — | 0.81 | — | 0.90 | — | 0.94 | — | 1.35 | ns |
| t _{PTSR} | Macrocell PT Set/Reset Delay | — | — | 0.60 | — | 0.75 | — | 0.75 | — | 0.75 | — | 1.13 | ns |
| t _{LP_{TOE}} | Macrocell PT OE Delay | — | — | 0.83 | — | 1.19 | — | 1.04 | — | 1.52 | — | 1.31 | ns |
| t _{SPTOE} | Segment PT OE Delay | — | — | 0.83 | — | 1.19 | — | 1.04 | — | 1.52 | — | 1.31 | ns |
| t _{OSA} | Output Sharing Array Delay | — | — | 0.80 | — | 0.90 | — | 1.00 | — | 1.00 | — | 1.50 | ns |
| t _{P_{TOE}} | Global PT OE Delay | — | — | 0.83 | — | 1.04 | — | 1.04 | — | 1.04 | — | 1.56 | ns |
| t _{PDB} | 5-PT Bypass Propagation Delay | — | — | 0.20 | — | 0.23 | — | 0.25 | — | 0.25 | — | 0.38 | ns |
| t _{PDI} | Macrocell Propagation Delay | — | — | 0.50 | — | 0.93 | — | 0.72 | — | 0.72 | — | 1.04 | ns |

ispXPLD 5000MX Family Internal Switching Characteristics (Continued)

Over Recommended Operating Conditions

| Parameter | Description | Base Parameter | -4 | | -45 | | -5 | | -52 | | -75 | | Units |
|---|--|----------------|-------|------|-------|------|-------|------|-------|------|-------|------|-------|
| | | | Min. | Max. | Min. | Max. | Min. | Max. | Min. | Max. | Min. | Max. | |
| Registered Delays | | | | | | | | | | | | | |
| t _S | D-Register Setup Time, Global Clock | — | 0.28 | — | 0.31 | — | 0.35 | — | 0.55 | — | 0.52 | — | ns |
| t _{S_PT} | D-Register Setup Time, PT Clock | — | -0.13 | — | -0.11 | — | -0.10 | — | -0.10 | — | -0.07 | — | ns |
| t _H | D-Register Hold Time | — | 1.90 | — | 2.56 | — | 2.50 | — | 2.40 | — | 4.00 | — | ns |
| t _{COi} | Register Clock to OSA Time | — | — | 0.72 | — | 1.03 | — | 0.68 | — | 0.93 | — | 1.50 | ns |
| t _{CESi} | Clock Enable Setup Time | — | 1.07 | — | 1.20 | — | 1.33 | — | 1.33 | — | 2.00 | — | ns |
| t _{CEHi} | Clock Enable Hold Time | — | 0.00 | — | 0.00 | — | 0.00 | — | 0.00 | — | 0.00 | — | ns |
| t _{SIR} | D-Input Register Setup Time, Global Clock | — | 0.66 | — | 0.20 | — | 0.53 | — | 0.12 | — | 0.08 | — | ns |
| t _{SIR_PT} | D-Input Register Setup Time, PT Clock | — | 0.42 | — | 0.37 | — | 0.34 | — | 0.34 | — | 0.22 | — | ns |
| t _{HIR} | D-Input Register Hold Time, Global Clock | — | 0.84 | — | 1.31 | — | 1.01 | — | 1.41 | — | 2.91 | — | ns |
| t _{HIR_PT} | D-Input Register Hold Time, PT Clock | — | 0.00 | — | 0.00 | — | 0.00 | — | 0.00 | — | 0.00 | — | ns |
| Latched Delays | | | | | | | | | | | | | |
| t _{SL} | Latch Setup Time, Global Clock | — | 0.18 | — | 0.00 | — | 0.00 | — | 0.00 | — | 0.00 | — | ns |
| t _{SL_PT} | Latch Setup Time, PT Clock | — | 0.18 | — | 0.00 | — | 0.00 | — | 0.00 | — | 0.34 | — | ns |
| t _{HL} | Latch Hold Time | — | -0.06 | — | 0.00 | — | 0.00 | — | 0.00 | — | -0.03 | — | ns |
| t _{GOi} | Latch Gate to OSA Time | — | — | 0.07 | — | 0.08 | — | 0.08 | — | 0.08 | — | 0.13 | ns |
| t _{PDLi} | Propagation Delay through Latch to OSA Transparent | — | — | 0.52 | — | 0.58 | — | 0.65 | — | 0.65 | — | 0.97 | ns |
| Reset and Set Delays | | | | | | | | | | | | | |
| t _{SRI} | Asynchronous Reset or Set to OSA Delay | — | — | 0.23 | — | 0.26 | — | 0.29 | — | 0.29 | — | 0.43 | ns |
| t _{SRR} | Asynchronous Reset or Set Recovery | — | — | 0.42 | — | 0.47 | — | 0.53 | — | 0.55 | — | 0.79 | ns |
| eXtended Function Routing Delays | | | | | | | | | | | | | |
| t _{ROUTEMF} | Delay through SRP when Implementing Memory Functions | — | — | 2.00 | — | 2.25 | — | 2.51 | — | 2.61 | — | 3.76 | ns |

ispXPLD 5000MX Family Internal Switching Characteristics (Continued)

Over Recommended Operating Conditions

| Parameter | Description | Base Parameter | -4 | | -45 | | -5 | | -52 | | -75 | | Units |
|---------------------------------------|--|--|--------------------------------|------|-------|------|-------|------|-------|------|-------|------|-------|
| | | | Min. | Max. | Min. | Max. | Min. | Max. | Min. | Max. | Min. | Max. | |
| t _{CASC} | Additional Delay for PT Cascading between MFBs | — | — | 0.71 | — | 0.80 | — | 0.89 | — | 0.92 | — | 1.33 | ns |
| t _{CICOMFB} | Carry Chain Delay, MFB to MFB | — | — | 0.35 | — | 0.39 | — | 0.44 | — | 0.46 | — | 0.66 | ns |
| t _{CICOMC} | Carry Chain Delay, Macro-Cell to Macro-Cell | — | — | 0.10 | — | 0.11 | — | 0.13 | — | 0.13 | — | 0.19 | ns |
| t _{FLAG} | Routing Delay for Extended Function Flags | — | — | 2.62 | — | 2.94 | — | 3.27 | — | 3.40 | — | 4.91 | ns |
| t _{FLAGEXP} | Additional Flag Delay when Expanding Data Widths | t _{FLAGFULL} , t _{FLAGAFULL} , t _{FLAGEMPTY} , t _{FLAGAEMPTY} | — | 2.57 | — | 2.89 | — | 3.21 | — | 3.34 | — | 4.82 | ns |
| t _{SUM} | Counter Sum Delay | t _{PTSA} | — | 0.80 | — | 0.90 | — | 1.00 | — | 1.04 | — | 1.50 | ns |
| Optional Adjusters | | | | | | | | | | | | | |
| t _{BLA} | Block Loading Adder | t _{ROUTE} | — | 0.04 | — | 0.04 | — | 0.05 | — | 0.05 | — | 0.07 | ns |
| t _{EXP} | PT Expander Adder | t _{ROUTE} | — | 0.53 | — | 0.60 | — | 0.66 | — | 0.69 | — | 0.99 | ns |
| t _{INDIO} | Additional Delay for the Input Register | t _{INREG} | — | 0.50 | — | 0.56 | — | 0.63 | — | 0.65 | — | 0.94 | ns |
| t _{PLL_SEC_DELAY} | Secondary PLL Output Delay | t _{PLL_DELAY} | — | 0.91 | — | 0.91 | — | 0.91 | — | 0.91 | — | 0.91 | ns |
| t _{INEXP} | MFB Input Extender | t _{ROUTE} | — | 0.62 | — | 0.70 | — | 0.78 | — | 0.81 | — | 1.16 | ns |
| Input and Output Buffer Delays | | | | | | | | | | | | | |
| t _{IOI} | Input Buffer Selection Adder | t _{GCLK_IN} , t _{IN} , t _{GOE} , t _{RST} | Refer to sysIO Adjuster Tables | | | | | | | | | | ns |
| t _{IOO} | Output Buffer Selection Adder | t _{BUF} | Refer to sysIO Adjuster Tables | | | | | | | | | | ns |
| FIFO | | | | | | | | | | | | | |
| t _{FIFOWCLKS} | Write Data Setup before Write Clock Time | — | -0.27 | — | -0.27 | — | -0.22 | — | -0.22 | — | -0.21 | — | ns |
| t _{FIFOWCLKH} | Write Data Hold after Write Clock Time | — | -0.01 | — | -0.01 | — | -0.01 | — | -0.01 | — | -0.01 | — | ns |
| t _{FIFOCLKSKEW} | Opposite Clock Cycle Delay | — | — | 1.40 | — | 1.40 | — | 1.76 | — | 1.76 | — | 1.83 | ns |
| t _{FIFOFULL} | Write Clock to Full Flag Delay | — | — | 3.08 | — | 3.08 | — | 3.85 | — | 3.85 | — | 4.00 | ns |
| t _{FIFOAFULL} | Write Clock to Almost Full Flag Delay | — | — | 3.08 | — | 3.08 | — | 3.86 | — | 3.86 | — | 4.01 | ns |
| t _{FIFOEMPTY} | Read Clock to Empty Flag Delay | — | — | 3.08 | — | 3.08 | — | 3.86 | — | 3.86 | — | 4.01 | ns |
| t _{FIFOAEMPTY} | Read Clock to Almost Empty Flag Delay | — | — | 3.08 | — | 3.08 | — | 3.86 | — | 3.86 | — | 4.01 | ns |

ispXPLD 5000MX Family Internal Switching Characteristics (Continued)

Over Recommended Operating Conditions

| Parameter | Description | Base Parameter | -4 | | -45 | | -5 | | -52 | | -75 | | Units |
|--------------------------|--|----------------|-------|------|-------|------|-------|------|-------|------|-------|------|-------|
| | | | Min. | Max. | Min. | Max. | Min. | Max. | Min. | Max. | Min. | Max. | |
| t _{FIFOWES} | Write-Enable setup before Write Clock | — | 2.33 | — | 2.33 | — | 2.91 | — | 2.91 | — | 3.03 | — | ns |
| t _{FIFOWEH} | Write-Enable hold after Write Clock | — | -2.95 | — | -2.95 | — | -2.36 | — | -2.36 | — | -2.27 | — | ns |
| t _{FIFORES} | Read-Enable setup before Read Clock | — | 2.69 | — | 2.35 | — | 2.79 | — | 2.38 | — | 4.14 | — | ns |
| t _{FIFOREH} | Read-Enable hold after Read Clock | — | -3.17 | — | -3.17 | — | -2.53 | — | -2.53 | — | -2.44 | — | ns |
| t _{FIFORSTO} | Reset to Output Delay | — | — | 3.30 | — | 3.30 | — | 4.13 | — | 4.13 | — | 4.29 | ns |
| t _{FIFORSTR} | Reset Recovery Time | — | 1.20 | — | 1.20 | — | 1.50 | — | 1.50 | — | 1.56 | — | ns |
| t _{FIFORSTPW} | Reset Pulse Width | — | 0.14 | — | 0.14 | — | 0.18 | — | 0.18 | — | 0.19 | — | ns |
| t _{FIFORCLKO} | Read Clock to FIFO Out Delay | — | — | 3.73 | — | 3.73 | — | 4.66 | — | 4.66 | — | 4.84 | ns |
| CAM – Update Mode | | | | | | | | | | | | | |
| t _{CAMMSS} | Memory Select Setup before CLK | — | 1.40 | — | 0.70 | — | 1.50 | — | 1.40 | — | 1.44 | — | ns |
| t _{CAMMSH} | Memory Select Hold after CLK | — | -0.01 | — | -0.01 | — | -0.01 | — | -0.01 | — | -0.01 | — | ns |
| t _{CAMENMSKS} | Enable Mask Register Setup Time before CLK | — | -0.27 | — | -0.27 | — | -0.22 | — | -0.22 | — | -0.21 | — | ns |
| t _{CAMENMSKH} | Enable Mask Register Setup Time after CLK | — | -0.01 | — | -0.01 | — | -0.01 | — | -0.01 | — | -0.01 | — | ns |
| t _{CAMADDS} | Address Setup Time before Clock | — | -0.27 | — | -0.27 | — | -0.22 | — | -0.22 | — | -0.21 | — | ns |
| t _{CAMADDH} | Address Hold Time after Clock | — | -0.01 | — | -0.01 | — | -0.01 | — | -0.01 | — | -0.01 | — | ns |
| t _{CAMDATAS} | Data Setup Time before Clock | — | -0.41 | — | -0.41 | — | -0.33 | — | -0.33 | — | -0.31 | — | ns |
| t _{CAMDATAH} | Data Hold Time after Clock | — | -0.01 | — | -0.01 | — | -0.01 | — | -0.01 | — | -0.01 | — | ns |
| t _{CAMDACS} | “Don’t Care” Setup Time before Clock | — | -0.27 | — | -0.27 | — | -0.22 | — | -0.22 | — | -0.21 | — | ns |
| t _{CAMDACH} | “Don’t Care” Hold Time after Clock | — | -0.01 | — | -0.01 | — | -0.01 | — | -0.01 | — | -0.01 | — | ns |
| t _{CAMRWS} | R/W Setup Time before Clock | — | -0.27 | — | -0.27 | — | -0.22 | — | -0.22 | — | -0.21 | — | ns |
| t _{CAMRWH} | R/W Enable Hold Time after Clock | — | -0.01 | — | -0.01 | — | -0.01 | — | -0.01 | — | -0.01 | — | ns |
| t _{CAMCES} | Clock Enable Setup Time before Clock | — | 1.55 | — | 1.55 | — | 1.94 | — | 1.94 | — | 2.02 | — | ns |
| t _{CAMCEH} | Clock Enable Hold Time after Clock | — | -2.95 | — | -2.95 | — | -2.36 | — | -2.36 | — | -2.27 | — | ns |

ispXPLD 5000MX Family Internal Switching Characteristics (Continued)

Over Recommended Operating Conditions

| Parameter | Description | Base Parameter | -4 | | -45 | | -5 | | -52 | | -75 | | Units |
|---------------------------|--|----------------|-------|------|-------|------|-------|------|-------|------|-------|-------|-------|
| | | | Min. | Max. | Min. | Max. | Min. | Max. | Min. | Max. | Min. | Max. | |
| t _{CAMWMSKS} | Write Mask Register Setup Time before Clock | — | -0.27 | — | -0.27 | — | -0.22 | — | -0.22 | — | -0.21 | — | ns |
| t _{CAMWMSKH} | Write Mask Register Setup Time after Clock | — | -0.01 | — | -0.01 | — | -0.01 | — | -0.01 | — | -0.01 | — | ns |
| t _{CAMRSTO} | Reset to CAM Output Delay | — | — | 3.30 | — | 3.30 | — | 4.13 | — | 4.13 | — | 4.29 | ns |
| t _{CAMRSTR} | Reset Recovery Time | — | 1.20 | — | 1.20 | — | 1.50 | — | 1.50 | — | 1.56 | — | ns |
| t _{CAMRSTPW} | Reset Pulse Width | — | 0.14 | — | 0.14 | — | 0.18 | — | 0.18 | — | 0.19 | — | ns |
| CAM – Compare Mode | | | | | | | | | | | | | |
| t _{CAMDATAS} | Data Setup Time before Clock | — | -0.41 | — | -0.41 | — | -0.33 | — | -0.33 | — | -0.31 | — | ns |
| t _{CAMDATAH} | Data Hold Time after Clock | — | -0.01 | — | -0.01 | — | -0.01 | — | -0.01 | — | -0.01 | — | ns |
| t _{CAMENMSKS} | Enable Mask Register Setup Time before Clock | — | -0.27 | — | -0.27 | — | -0.22 | — | -0.22 | — | -0.21 | — | ns |
| t _{CAMENMSKH} | Enable Mask Register Setup Time after Clock | — | -0.01 | — | -0.01 | — | -0.01 | — | -0.01 | — | -0.01 | — | ns |
| t _{CAMCASC} | CAM Width Expansion Delay | — | — | 0.40 | — | 0.40 | — | 0.50 | — | 0.50 | — | 0.51 | ns |
| t _{CAMCO} | Clock to Output (Address Out) Delay | — | — | 6.19 | — | 6.13 | — | 6.81 | — | 6.61 | — | 9.63 | ns |
| t _{CAMMATCH} | Clock to Match Flag Delay | — | — | 6.19 | — | 6.13 | — | 6.07 | — | 6.61 | — | 10.22 | ns |
| t _{CAMMMATCH} | Clock to Multi-Match Flag Delay | — | — | 5.50 | — | 5.50 | — | 6.38 | — | 6.38 | — | 7.72 | ns |
| t _{CAMRSTFLAG} | CAM Reset to Flags Delay | — | — | 3.16 | — | 3.16 | — | 3.95 | — | 3.95 | — | 4.11 | ns |
| Single Port RAM | | | | | | | | | | | | | |
| t _{SPADDDATA} | Address to Data Delay | — | — | 5.97 | — | 5.97 | — | 5.97 | — | 5.97 | — | 7.76 | ns |
| t _{SPMSS} | Memory Select Setup Before Clock Time | — | -0.27 | — | -0.27 | — | -0.27 | — | -0.27 | — | -0.21 | — | ns |
| t _{SPMSH} | Memory Select Hold time after Clock Time | — | -0.01 | — | -0.01 | — | -0.01 | — | -0.01 | — | -0.01 | — | ns |
| t _{SPCES} | Clock Enable Setup before Clock Time | — | 2.30 | — | 2.30 | — | 2.30 | — | 2.30 | — | 9.80 | — | ns |
| t _{SPCEH} | Clock Enable Hold time after Clock Time | — | -2.95 | — | -2.95 | — | -2.95 | — | -2.95 | — | -2.27 | — | ns |
| t _{SPADDS} | Address Setup before Clock Time | — | -0.27 | — | -0.27 | — | -0.27 | — | -0.27 | — | -0.21 | — | ns |

ispXPLD 5000MX Family Internal Switching Characteristics (Continued)

Over Recommended Operating Conditions

| Parameter | Description | Base Parameter | -4 | | -45 | | -5 | | -52 | | -75 | | Units |
|-----------------------------|---|----------------|-------|------|-------|------|-------|------|-------|------|-------|------|-------|
| | | | Min. | Max. | Min. | Max. | Min. | Max. | Min. | Max. | Min. | Max. | |
| t _{SPADDH} | Address Hold time after Clock Time | — | -0.01 | — | -0.01 | — | -0.01 | — | -0.01 | — | -0.01 | — | ns |
| t _{SPRWS} | R/W Setup before Clock Time | — | -0.27 | — | -0.27 | — | -0.27 | — | -0.27 | — | -0.21 | — | ns |
| t _{SPRWH} | R/W Hold time after Clock Time | — | -0.01 | — | -0.01 | — | -0.01 | — | -0.01 | — | -0.01 | — | ns |
| t _{SPDATAS} | Data Setup before Clock Time | — | -0.27 | — | -0.27 | — | -0.27 | — | -0.27 | — | -0.21 | — | ns |
| t _{SPDATAH} | Data Hold time after Clock Time | — | -0.01 | — | -0.01 | — | -0.01 | — | -0.01 | — | -0.01 | — | ns |
| t _{SPCLKO} | Clock to Output Delay | — | — | 5.97 | — | 5.97 | — | 5.97 | — | 5.97 | — | 9.86 | ns |
| t _{SPRSTO} | Reset to RAM Output Delay | — | — | 3.30 | — | 3.30 | — | 3.30 | — | 3.30 | — | 4.29 | ns |
| t _{SPRSTR} | Reset Recovery Time | — | 1.20 | — | 1.20 | — | 1.20 | — | 1.20 | — | 1.56 | — | ns |
| t _{SPRSTPW} | Reset Pulse Width | — | 0.14 | — | 0.14 | — | 0.14 | — | 0.14 | — | 0.19 | — | ns |
| Pseudo Dual Port RAM | | | | | | | | | | | | | |
| t _{PDPMSS} | Memory Select Setup Before Clock | — | -0.27 | — | -0.27 | — | -0.22 | — | -0.22 | — | -0.21 | — | ns |
| t _{PDPMSH} | Memory Select Hold time after Clock | — | -0.01 | — | -0.01 | — | -0.01 | — | -0.01 | — | -0.01 | — | ns |
| t _{PDPRCES} | Clock Enable Setup before Read Clock Time | — | 2.33 | — | 2.33 | — | 2.91 | — | 2.91 | — | 3.03 | — | ns |
| t _{PDPRCEH} | Clock Enable Hold time after Read Clock Time | — | -2.95 | — | -2.95 | — | -2.36 | — | -2.36 | — | -2.27 | — | ns |
| t _{PDPWCES} | Clock Enable Setup before Write Clock Time | — | 1.87 | — | 1.87 | — | 2.34 | — | 2.34 | — | 2.43 | — | ns |
| t _{PDPWCEH} | Clock Enable Hold time after Write Clock Time | — | -2.95 | — | -2.95 | — | -2.36 | — | -2.36 | — | -2.27 | — | ns |
| t _{PDPRADDS} | Read Address Setup before Read Clock Time | — | -0.27 | — | -0.27 | — | -0.22 | — | -0.22 | — | -0.21 | — | ns |
| t _{PDPRADDH} | Read Address Hold after Read Clock Time | — | -0.01 | — | -0.01 | — | -0.01 | — | -0.01 | — | -0.01 | — | ns |
| t _{PDPWADD} | Write Address Setup before Write Clock Time | — | -0.27 | — | -0.27 | — | -0.22 | — | -0.22 | — | -0.21 | — | ns |
| t _{PDPWADDH} | Write Address Hold after Write Clock Time | — | -0.01 | — | -0.01 | — | -0.01 | — | -0.01 | — | -0.01 | — | ns |
| t _{PDPRW} | R/W Setup before Clock Time | — | -0.27 | — | -0.27 | — | -0.22 | — | -0.22 | — | -0.21 | — | ns |

ispXPLD 5000MX Family Internal Switching Characteristics (Continued)

Over Recommended Operating Conditions

| Parameter | Description | Base Parameter | -4 | | -45 | | -5 | | -52 | | -75 | | Units |
|--------------------------|---|----------------|-------|------|-------|------|-------|------|-------|------|-------|------|-------|
| | | | Min. | Max. | Min. | Max. | Min. | Max. | Min. | Max. | Min. | Max. | |
| t _{PDPRWH} | R/W Hold time after Clock Time | — | -0.01 | — | -0.01 | — | -0.01 | — | -0.01 | — | -0.01 | — | ns |
| t _{PDPDATAS} | Data Setup before Clock Time | — | -0.27 | — | -0.27 | — | -0.22 | — | -0.22 | — | -0.21 | — | ns |
| t _{PDPDATAH} | Data Hold time after Clock Time | — | -0.01 | — | -0.01 | — | -0.01 | — | -0.01 | — | -0.01 | — | ns |
| t _{PDPRCLKO} | Read Clock to Output Delay | — | — | 5.08 | — | 5.02 | — | 5.66 | — | 5.45 | — | 8.54 | ns |
| t _{PDPCCLKSKEW} | Opposite Clock Cycle Delay | — | 1.40 | — | 1.40 | — | 1.76 | — | 1.76 | — | 1.83 | — | ns |
| t _{PDPRSTO} | Reset to RAM Output Delay | — | — | 3.30 | — | 3.30 | — | 4.13 | — | 4.13 | — | 4.29 | ns |
| t _{PDPRSTR} | Reset Recovery Time | — | 1.20 | — | 1.20 | — | 1.50 | — | 1.50 | — | 1.56 | — | ns |
| t _{PDPRSTPW} | Reset Pulse Width | — | 0.14 | — | 0.14 | — | 0.18 | — | 0.18 | — | 0.19 | — | ns |
| Dual Port RAM | | | | | | | | | | | | | |
| t _{DPMSAS} | Memory Select A Setup Before R/W A Time | — | -0.27 | — | -0.27 | — | -0.27 | — | -0.27 | — | -0.21 | — | ns |
| t _{DPMSAH} | Memory Select Hold time after R/W A Time | — | -0.01 | — | -0.01 | — | -0.01 | — | -0.01 | — | -0.01 | — | ns |
| t _{DPCEAS} | Clock Enable A Setup before Clock A Time | — | 3.72 | — | 3.72 | — | 3.72 | — | 3.72 | — | 4.84 | — | ns |
| t _{DPCEAH} | Clock Enable A Hold time after Clock A Time | — | -2.95 | — | -2.95 | — | -2.95 | — | -2.95 | — | -2.27 | — | ns |
| t _{DPADDAS} | Address A Setup before Clock A Time | — | -0.27 | — | -0.27 | — | -0.27 | — | -0.27 | — | -0.21 | — | ns |
| t _{DPADDAH} | Address A Hold time after Clock A Time | — | -0.01 | — | -0.01 | — | -0.01 | — | -0.01 | — | -0.01 | — | ns |
| t _{DPRWAS} | R/W A Setup before Clock A Time | — | -0.27 | — | -0.27 | — | -0.27 | — | -0.27 | — | -0.21 | — | ns |
| t _{DPRWAH} | R/W A Hold time after Clock A Time | — | -0.01 | — | -0.01 | — | -0.01 | — | -0.01 | — | -0.01 | — | ns |
| t _{DPDATAAS} | Write Data A Setup before Clock A Time | — | -0.27 | — | -0.27 | — | -0.27 | — | -0.27 | — | -0.21 | — | ns |
| t _{DPDATAAH} | Write Data A Hold time after Clock A Time | — | -0.01 | — | -0.01 | — | -0.01 | — | -0.01 | — | -0.01 | — | ns |
| t _{DPMSBS} | Memory Select B Setup Before R/W B Time | — | -0.27 | — | -0.27 | — | -0.27 | — | -0.27 | — | -0.21 | — | ns |
| t _{DPMSBH} | Memory Select Hold time after R/W B Time | — | -0.01 | — | -0.01 | — | -0.01 | — | -0.01 | — | -0.01 | — | ns |

ispXPLD 5000MX Family Internal Switching Characteristics (Continued)

Over Recommended Operating Conditions

| Parameter | Description | Base Parameter | -4 | | -45 | | -5 | | -52 | | -75 | | Units |
|-----------------|--|----------------|-------|------|-------|------|-------|------|-------|------|-------|------|-------|
| | | | Min. | Max. | Min. | Max. | Min. | Max. | Min. | Max. | Min. | Max. | |
| t_{DPCEBS} | Clock Enable B Setup before Clock B Time | — | 2.33 | — | 2.33 | — | 2.33 | — | 2.33 | — | 3.03 | — | ns |
| t_{DPCEBH} | Clock Enable Hold B after Clock B Time | — | -2.95 | — | -2.95 | — | -2.95 | — | -2.95 | — | -2.27 | — | ns |
| $t_{DPADDBS}$ | Address B Setup before Clock B Time | — | -0.27 | — | -0.27 | — | -0.27 | — | -0.27 | — | -0.21 | — | ns |
| $t_{DPADDBH}$ | Address B Hold time after Clock B Time | — | -0.01 | — | -0.01 | — | -0.01 | — | -0.01 | — | -0.01 | — | ns |
| t_{DPRWBS} | R/W B Setup before Clock B Time | — | -0.27 | — | -0.27 | — | -0.27 | — | -0.27 | — | -0.21 | — | ns |
| t_{DPRWBH} | R/W B Hold time after Clock B Time | — | -0.01 | — | -0.01 | — | -0.01 | — | -0.01 | — | -0.01 | — | ns |
| $t_{DPDATABS}$ | Write Data B Setup before Clock B Time | — | -0.27 | — | -0.27 | — | -0.27 | — | -0.27 | — | -0.21 | — | ns |
| $t_{DPDATABH}$ | Write Data B Hold after Clock B Time | — | -0.01 | — | -0.01 | — | -0.01 | — | -0.01 | — | -0.01 | — | ns |
| $t_{DPRCLKAO}$ | Read Clock A to Output Delay | — | — | 5.97 | — | 5.92 | — | 5.86 | — | 5.65 | — | 9.86 | ns |
| $t_{DPRCLKBO}$ | Read Clock B to Output Delay | — | — | 5.16 | — | 5.16 | — | 5.16 | — | 5.16 | — | 6.71 | ns |
| $t_{DPCLKSKEW}$ | Opposite Clock Cycle Delay | — | 1.40 | — | 1.40 | — | 1.40 | — | 1.40 | — | 1.83 | — | ns |
| t_{DPRSTO} | Reset to RAM Output Delay | — | — | 3.30 | — | 3.30 | — | 3.30 | — | 3.30 | — | 4.29 | ns |
| t_{DPRSTR} | Reset Recovery Time | — | 1.20 | — | 1.20 | — | 1.20 | — | 1.20 | — | 1.56 | — | ns |
| $t_{DPRSTPW}$ | Reset Pulse Width | — | 0.14 | — | 0.14 | — | 0.14 | — | 0.14 | — | 0.19 | — | ns |

Timing v.1.8

1. The PT-delay to clock of RAM/FIFO/CAM should be t_{BCLK} instead of t_{PTCLK} .
2. The PT-delay to set/reset of RAM/FIFO/CAM should be t_{BSR} instead of t_{PTSR} .

ispXPLD 5000MX Family Timing Adders

| Parameter | Description | Base Param. | -4 | | -45 | | -5 | | -52 | | -75 | | Units |
|---|---|---|------|------|------|------|------|------|------|------|------|------|-------|
| | | | Min. | Max. | Min. | Max. | Min. | Max. | Min. | Max. | Min. | Max. | |
| t_{IOI} Input Adjusters | | | | | | | | | | | | | |
| LVTTTL_in | Using 3.3V TTL | t _{IOIN} | — | 0.0 | — | 0.0 | — | 0.0 | — | 0.0 | — | 0.0 | ns |
| LVC MOS_18_in | Using 1.8V CMOS | t _{IOIN} | — | 0.0 | — | 0.0 | — | 0.0 | — | 0.0 | — | 0.0 | ns |
| LVC MOS_25_in | Using 2.5V CMOS | t _{IOIN} | — | 0.0 | — | 0.0 | — | 0.0 | — | 0.0 | — | 0.0 | ns |
| LVC MOS_33_in | Using 3.3V CMOS | t _{IOIN} | — | 0.0 | — | 0.0 | — | 0.0 | — | 0.0 | — | 0.0 | ns |
| AGP_1X_in | Using AGP 1x | t _{IOIN} | — | 1.0 | — | 1.0 | — | 1.0 | — | 1.0 | — | 1.0 | ns |
| CTT25_in | Using CTT 2.5V | t _{IOIN} | — | 1.0 | — | 1.0 | — | 1.0 | — | 1.0 | — | 1.0 | ns |
| CTT33_in | Using CTT 3.3V | t _{IOIN} | — | 1.0 | — | 1.0 | — | 1.0 | — | 1.0 | — | 1.0 | ns |
| GTL+_in | Using GTL+ | t _{IOIN} | — | 0.5 | — | 0.5 | — | 0.5 | — | 0.5 | — | 0.5 | ns |
| HSTL_I_in | Using HSTL 2.5V, Class I | t _{IOIN} | — | 0.5 | — | 0.5 | — | 0.5 | — | 0.5 | — | 0.5 | ns |
| HSTL_III_in | Using HSTL 2.5V, Class III | t _{IOIN} | — | 0.6 | — | 0.6 | — | 0.6 | — | 0.6 | — | 0.6 | ns |
| HSTL_IV_in | Using HSTL 2.5V, Class IV | t _{IOIN} | — | 0.6 | — | 0.6 | — | 0.6 | — | 0.6 | — | 0.6 | ns |
| LVDS_in | Using Low Voltage Differential Signaling (LVDS) | t _{IOIN} | — | 0.5 | — | 0.5 | — | 0.5 | — | 0.5 | — | 0.5 | ns |
| LVPECL_in | Using Low Voltage PECL | t _{IOIN} | — | 0.5 | — | 0.5 | — | 0.5 | — | 0.5 | — | 0.5 | ns |
| PCI_in | Using PCI | t _{IOIN} | — | 1.0 | — | 1.0 | — | 1.0 | — | 1.0 | — | 1.0 | ns |
| SSTL2_I_in | Using SSTL 2.5V, Class I | t _{IOIN} | — | 0.5 | — | 0.5 | — | 0.5 | — | 0.5 | — | 0.5 | ns |
| SSTL2_II_in | Using SSTL 2.5V, Class II | t _{IOIN} | — | 0.5 | — | 0.5 | — | 0.5 | — | 0.5 | — | 0.5 | ns |
| SSTL3_I_in | Using SSTL 3.3V, Class I | t _{IOIN} | — | 0.6 | — | 0.6 | — | 0.6 | — | 0.6 | — | 0.6 | ns |
| SSTL3_II_in | Using SSTL 3.3V, Class II | t _{IOIN} | — | 0.6 | — | 0.6 | — | 0.6 | — | 0.6 | — | 0.6 | ns |
| t_{IOO} Output Adjusters – Output Signal Modifiers | | | | | | | | | | | | | |
| Slow Slew | Using Slow Slew (LVTTTL and LVC MOS Outputs Only) | t _{IOBUF} , t _{IOEN} | — | 0.9 | — | 0.9 | — | 0.9 | — | 0.9 | — | 0.9 | ns |
| t_{IOO} Output Adjusters – Output Configurations | | | | | | | | | | | | | |
| LVTTTL_out | Using 3.3V TTL Drive | t _{IOBUF} , t _{IOEN} , t _{IODIS} | — | 1.2 | — | 1.2 | — | 1.2 | — | 1.2 | — | 1.2 | ns |
| LVC MOS_18_4mA_out | Using 1.8V CMOS Standard, 4mA Drive | t _{IOBUF} , t _{IOEN} , t _{IODIS} | — | 0.3 | — | 0.3 | — | 0.3 | — | 0.3 | — | 0.3 | ns |
| LVC MOS_18_5.33mA_out | Using 1.8V CMOS Standard, 5.33mA Drive | t _{IOBUF} , t _{IOEN} , t _{IODIS} | — | 0.3 | — | 0.3 | — | 0.3 | — | 0.3 | — | 0.3 | ns |

ispXPLD 5000MX Family Timing Adders (Continued)

| Parameter | Description | Base Param. | -4 | | -45 | | -5 | | -52 | | -75 | | Units |
|-----------------------|---|--|------|------|------|------|------|------|------|------|------|------|-------|
| | | | Min. | Max. | Min. | Max. | Min. | Max. | Min. | Max. | Min. | Max. | |
| LVC MOS_18_8mA_out | Using 1.8V CMOS Standard, 8mA Drive | t _I OBUF, t _I OEN, t _I ODIS | — | 0.0 | — | 0.0 | — | 0.0 | — | 0.0 | — | 0.0 | ns |
| LVC MOS_18_12mA_out | Using 1.8V CMOS Standard, 12mA Drive | t _I OBUF, t _I OEN, t _I ODIS | — | 0.0 | — | 0.0 | — | 0.0 | — | 0.0 | — | 0.0 | ns |
| LVC MOS_25_4mA_out | Using 2.5V CMOS Standard, 4mA Drive | t _I OBUF, t _I OEN, t _I ODIS | — | 1.2 | — | 1.2 | — | 1.2 | — | 1.2 | — | 1.2 | ns |
| LVC MOS_25_5.33mA_out | Using 2.5V CMOS Standard, 5.33 mA Drive | t _I OBUF, t _I OEN, t _I ODIS | — | 1.0 | — | 1.0 | — | 1.0 | — | 1.0 | — | 1.0 | ns |
| LVC MOS_25_8mA_out | Using 2.5V CMOS Standard, 8mA Drive | t _I OBUF, t _I OEN, t _I ODIS | — | 0.4 | — | 0.4 | — | 0.4 | — | 0.4 | — | 0.4 | ns |
| LVC MOS_25_12mA_out | Using 2.5V CMOS Standard, 12mA Drive | t _I OBUF, t _I OEN, t _I ODIS | — | 0.4 | — | 0.4 | — | 0.4 | — | 0.4 | — | 0.4 | ns |
| LVC MOS_25_16mA_out | Using 2.5V CMOS Standard, 16mA Drive | t _I OBUF, t _I OEN, t _I ODIS | — | 0.4 | — | 0.4 | — | 0.4 | — | 0.4 | — | 0.4 | ns |
| LVC MOS_33_4mA_out | Using 3.3V CMOS Standard, 4mA Drive | t _I OBUF, t _I OEN, t _I ODIS | — | 1.2 | — | 1.2 | — | 1.2 | — | 1.2 | — | 1.2 | ns |
| LVC MOS_33_5.33mA_out | Using 3.3V CMOS Standard, 5.33mA Drive | t _I OBUF, t _I OEN, t _I ODIS | — | 1.2 | — | 1.2 | — | 1.2 | — | 1.2 | — | 1.2 | ns |
| LVC MOS_33_8mA_out | Using 3.3V CMOS Standard, 8mA Drive | t _I OBUF, t _I OEN, t _I ODIS | — | 0.8 | — | 0.8 | — | 0.8 | — | 0.8 | — | 0.8 | ns |
| LVC MOS_33_12mA_out | Using 3.3V CMOS Standard, 12mA Drive | t _I OBUF, t _I OEN, t _I ODIS | — | 0.6 | — | 0.6 | — | 0.6 | — | 0.6 | — | 0.6 | ns |
| LVC MOS_33_16mA_out | Using 3.3V CMOS Standard, 16mA Drive | t _I OBUF, t _I OEN, t _I ODIS | — | 0.6 | — | 0.6 | — | 0.6 | — | 0.6 | — | 0.6 | ns |
| LVC MOS_33_20mA_out | Using 3.3V CMOS Standard, 20mA Drive | t _I OBUF, t _I OEN, t _I ODIS | — | 0.3 | — | 0.3 | — | 0.3 | — | 0.3 | — | 0.3 | ns |
| AGP_1X_out | Using AGP 1x Standard | t _I OBUF, t _I OEN, t _I ODIS | — | 0.6 | — | 0.6 | — | 0.6 | — | 0.6 | — | 0.6 | ns |
| CTT25_out | Using CTT 2.5V | t _I OBUF, t _I OEN, t _I ODIS | — | 0.3 | — | 0.3 | — | 0.3 | — | 0.3 | — | 0.3 | ns |
| CTT33_out | Using CTT 3.3V | t _I OBUF, t _I OEN, t _I ODIS | — | 0.2 | — | 0.2 | — | 0.2 | — | 0.2 | — | 0.2 | ns |
| GTL+_out | Using GTL+ | t _I OBUF, t _I OEN, t _I ODIS | — | 0.5 | — | 0.5 | — | 0.5 | — | 0.5 | — | 0.5 | ns |

ispXPLD 5000MX Family Timing Adders (Continued)

| Parameter | Description | Base Param. | -4 | | -45 | | -5 | | -52 | | -75 | | Units |
|--------------|---|--|------|------|------|------|------|------|------|------|------|------|-------|
| | | | Min. | Max. | Min. | Max. | Min. | Max. | Min. | Max. | Min. | Max. | |
| HSTL_I_out | Using HSTL 2.5V, Class I | t _I OBUF, t _I OEN, t _I ODIS | — | 0.5 | — | 0.5 | — | 0.5 | — | 0.5 | — | 0.5 | ns |
| HSTL_III_out | Using HSTL 2.5V, Class III | t _I OBUF, t _I OEN, t _I ODIS | — | 0.6 | — | 0.6 | — | 0.6 | — | 0.6 | — | 0.6 | ns |
| HSTL_IV_out | Using HSTL 2.5V, Class IV | t _I OBUF, t _I OEN, t _I ODIS | — | 0.6 | — | 0.6 | — | 0.6 | — | 0.6 | — | 0.6 | ns |
| LVDS_out | Using Low Voltage Differential Signaling (LVDS) | t _I OBUF, t _I OEN, t _I ODIS | — | 0.8 | — | 0.8 | — | 0.8 | — | 0.8 | — | 0.8 | ns |
| LVPECL_out | Using Low Voltage PECL | t _I OBUF, t _I OEN, t _I ODIS | — | 0.3 | — | 0.3 | — | 0.3 | — | 0.3 | — | 0.3 | ns |
| PCI_out | Using PCI Standard | t _I OBUF, t _I OEN, t _I ODIS | — | 0.6 | — | 0.6 | — | 0.6 | — | 0.6 | — | 0.6 | ns |
| SSTL2_I_out | Using SSTL 2.5V, Class I | t _I OBUF, t _I OEN, t _I ODIS | — | 0.3 | — | 0.3 | — | 0.3 | — | 0.3 | — | 0.3 | ns |
| SSTL2_II_out | Using SSTL 2.5V, Class II | t _I OBUF, t _I OEN, t _I ODIS | — | 0.5 | — | 0.5 | — | 0.5 | — | 0.5 | — | 0.5 | ns |
| SSTL3_I_out | Using SSTL 3.3V, Class I | t _I OBUF, t _I OEN, t _I ODIS | — | 0.2 | — | 0.2 | — | 0.2 | — | 0.2 | — | 0.2 | ns |
| SSTL3_II_out | Using SSTL 3.3V, Class II | t _I OBUF, t _I OEN, t _I ODIS | — | 0.4 | — | 0.4 | — | 0.4 | — | 0.4 | — | 0.4 | ns |

Timing v.1.8



sysCLOCK PLL Timing

Over Recommended Operating Conditions

| Symbol | Parameter | Conditions | Min | Max | Units |
|-----------------------|---|--|----------|----------|-------|
| t_{PWH} | Input clock, high time | 80% to 80% | 1.2 | — | ns |
| t_{PWL} | Input clock, low time | 20% to 20% | 1.2 | — | ns |
| t_R, t_F | Input Clock, rise and fall time | 20% to 80% | — | 3.0 | ns |
| t_{INSTB} | Input clock stability, cycle to cycle (peak) | | — | +/- 250 | ps |
| f_{MDIVIN} | M Divider input, frequency range | | 10 | 320 | MHz |
| $f_{MDIVOUT}$ | M Divider output, frequency range | | 10 | 320 | MHz |
| f_{NDIVIN} | N Divider input, frequency range | | 10 | 320 | MHz |
| $f_{NDIVOUT}$ | N Divider output, frequency range | | 10 | 320 | MHz |
| f_{VDIVIN} | V Divider input, frequency range | | 100 | 400 | MHz |
| $f_{VDIVOUT}$ | V Divider output, frequency range | | 10 | 320 | MHz |
| $t_{OUTDUTY}$ | Output clock, duty cycle | | 40 | 60 | % |
| $t_{JIT(CC)}$ | Output clock, cycle to cycle jitter (peak) | Clean reference. 10 MHz < $f_{MDIVOUT}$ < 20 MHz or 100MHz < f_{VDIVIN} < 160 MHz ¹ | — | +/- 250 | ps |
| | | Clean reference. 20 MHz < $f_{MDIVOUT}$ < 320 MHz and 160MHz < f_{VDIVIN} < 320 MHz ¹ | — | +/- 150 | ps |
| $T_{JIT(PERIOD)}^2$ | Output clock, period jitter (peak) | Clean reference. 10 MHz < $f_{MDIVOUT}$ < 20 MHz or 100MHz < f_{VDIVIN} < 160 MHz ¹ | — | +/- 300 | ps |
| | | Clean reference. 20 MHz < $f_{MDIVOUT}$ < 320 MHz and 160MHz < f_{VDIVIN} < 320 MHz ¹ | — | +/- 150 | ps |
| $t_{CLK_OUT_DLY}$ | Input clock to CLK_OUT delay | Internal feedback | — | 3.0 | ns |
| t_{PHASE} | Input clock to external feedback delta | External feedback | — | 600 | ps |
| t_{LOCK} | Time to acquire phase lock after input stable | | — | 25 | us |
| t_{PLL_DELAY} | Delay increment (Lead/Lag) | Typical = +/- 250ps | +/- 120 | +/- 550 | ps |
| t_{RANGE} | Total output delay range (lead/lag) | | +/- 0.84 | +/- 3.85 | ns |
| t_{PLL_RSTW} | Minimum reset pulse width | | — | 1.8 | ns |
| $t_{CLK_IN}^3$ | Global clock input delay | | — | 1.0 | ns |
| $t_{PLL_SEC_DELAY}$ | Secondary PLL output delay (t_{PLL_DELAY}) | | — | 1.5 | ns |

1. This condition assures that the output phase jitter will remain within specification.

2. Accumulated jitter measured over 10,000 waveform samples.

3. Internal timing for reference only.

ispXP sysCONFIG Port Timing Specifications

| Symbol | Timing Parameter | Min. | Max. | Units |
|-------------------------------------|---|------|------|-------|
| sysCONFIG Write Cycle Timing | | | | |
| t_{SUCS} | Input setup time of CS to CCLK rise | 10 | — | ns |
| t_{HCS} | Hold time of CS to CCLK rise | 1 | — | ns |
| t_{SUWD} | Input setup time of write data to CCLK rise | 10 | — | ns |
| t_{HWD} | Hold time of write data to CCLK rise | 0 | — | ns |
| t_{PRGM} | Low time to reset device SRAM | 5 | 50 | ns |
| t_{DINIT} | INIT delay time | — | 5 | ms |
| t_{IODISS} | User I/O disable | — | — | ns |
| t_{IOENSS} | User I/O enable | — | — | ns |
| t_{WH} | Write clock High pulse width | 18 | — | ns |
| t_{WL} | Write clock Low pulse width | 18 | — | ns |
| f_{MAXW} | Write f_{MAX} | — | 27 | MHz |
| sysCONFIG Read Cycle Timing | | | | |
| t_{HREAD} | Hold time of READ to CCLK rise | 1 | — | ns |
| t_{SUREAD} | Input setup time of READ High to CCLK rise | 15 | — | ns |
| t_{RH} | READ clock high pulse width | 18 | — | ns |
| t_{RL} | READ clock low pulse width | 18 | — | ns |
| f_{MAXR} | Read f_{MAX} | — | 27 | MHz |
| t_{CORD} | Clock to out for read data | — | 25 | ns |

SELECTED DEVICES DISCONTINUED

Boundary Scan Timing Specifications

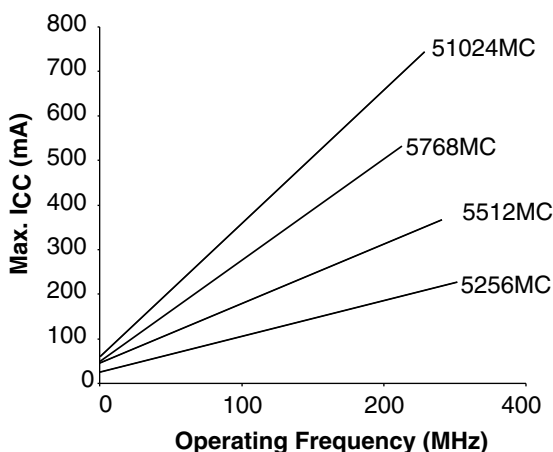
Over Recommended Operating Conditions

| Parameter | Description | Min | Max | Units |
|---------------|--|-----|-----|-------|
| t_{BTCP} | TCK [BSCAN] clock pulse width | 40 | — | ns |
| t_{BTCPH} | TCK [BSCAN] clock pulse width high | 20 | — | ns |
| t_{BTCPL} | TCK [BSCAN] clock pulse width low | 20 | — | ns |
| t_{BTS} | TCK [BSCAN] setup time | 8 | — | ns |
| t_{BTH} | TCK [BSCAN] hold time | 10 | — | ns |
| t_{BTRF} | TCK [BSCAN] rise/fall time | 50 | — | mV/ns |
| t_{BTCO} | TAP controller falling edge of clock to valid output | — | 10 | ns |
| $t_{BTCODIS}$ | TAP controller falling edge of clock to valid disable | — | 10 | ns |
| t_{BTCOEN} | TAP controller falling edge of clock to valid enable | — | 10 | ns |
| t_{BTCRS} | BSCAN test capture register setup time | 8 | — | ns |
| t_{BTCRH} | BSCAN test capture register hold time | 10 | — | ns |
| t_{BUTCO} | BSCAN test update register, falling edge of clock to valid output | — | 25 | ns |
| $t_{BTUODIS}$ | BSCAN test update register, falling edge of clock to valid disable | — | 25 | ns |
| $t_{BTUPOEN}$ | BSCAN test update register, falling edge of clock to valid enable | — | 25 | ns |

SELECT DEVICES
DISCONTINUED

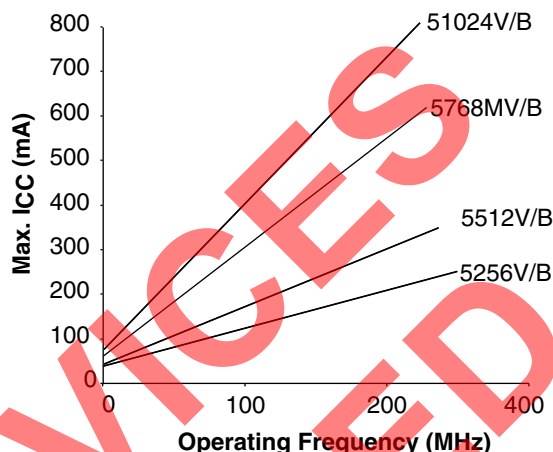
Power Consumption

ispXPLD 5000MC Typical I_{CC} vs. Frequency



Note: The device is configured with maximum number of 16-bit counters, no PLL, typical current at 1.8V, 25°C.

ispXPLD 5000MV/B Typical I_{CC} vs. Frequency



Note: The device is configured with maximum number of 16-bit counters, no PLL, typical current at 3.3V (MV) or 2.5V (MB), 25°C.

Power Estimation Coefficients

| Device | K0 | K1 | K2 | K3 | K4 | K5 | K6 | K7 | DC | |
|---------------|-----|-----|------|------|-----|--------|--------|-------|----------------|------------------|
| | | | | | | | | | ispXPLD 5000MC | ispXPLD 5000MV/B |
| ispXPLD 5256 | 2.2 | 8.4 | 7 | 12 | 100 | 0.1379 | 0.0433 | 6.476 | 16 | 24 |
| ispXPLD 5512 | 2.2 | 8.4 | 9.4 | 18 | 151 | 0.1379 | 0.0433 | 6.476 | 17 | 25 |
| ispXPLD 5768 | 2.2 | 8.4 | 10.2 | 21 | 170 | 0.1379 | 0.0433 | 6.476 | 27 | 36 |
| ispXPLD 51024 | 2.2 | 8.4 | 13 | 27.6 | 200 | 0.1379 | 0.0433 | 6.476 | 35 | 43 |

Note: For further information about the use of these coefficients, refer to TN1031 – [Power Estimation in ispXPLD 5000MX Devices](#).

Memory Coefficients

| Device | K8 | K9 | K10 | K11 |
|---------------|----------|--------|-----|-----|
| ispXPLD 5256 | 0.004719 | 0.0924 | 4.4 | 2.9 |
| ispXPLD 5512 | 0.004719 | 0.0924 | 4.4 | 2.9 |
| ispXPLD 5768 | 0.004719 | 0.0924 | 4.4 | 2.9 |
| ispXPLD 51024 | 0.004719 | 0.0924 | 4.4 | 2.9 |

- K0 = Current per MFB input (µA/MHz)
- K1 = Current per Product Term (µA/MHz)
- K2 = Current per GRP from MFB (µA/MHz)
- K3 = Current per GRP from I/O (µA/MHz)
- K4 = Global clock tree current (µA/MHz)
- K5 = PLL digital (mA/MHz)
- K6 = PLL analog (mA/MHz)
- K7 = PLL analog baseline (mA)
- DC = Baseline current at 0Mhz (mA)
- K8 = CAM frequency component (mA/MHz)
- K9 = CAM DC component (mA)
- K10 = Current per row decoder (µA/MHz)
- K11 = Current per column driver (µA/MHz)

Power Estimation Equations

$$ICC = ICC_DC + IMFB_CPLD + IMFB_SRAM/PDPRAM/FIFO + IMFB_DPRAM + IMFB_CAM + IPLL_D$$

ICC_DC

Use the appropriate value for 5000MC (1.8V power supply) or 5000MV/B (2.5V/3.3V power supply) from the data sheet.

IMFB_CPLD

$$= ((K0 * CPLD \text{ MFB inputs} + K1 * CPLD \text{ Logical Product Terms} + K2 * CPLD \text{ GRP from MFB} + K3 * CPLD \text{ GRP from IFB}) * AF + K4) * \text{FREQ} / 1000\mu\text{A/mA}$$

IMFB_CAM

$$= \text{CAM Memory MFBs} * ((\text{FREQ} * K8) + K9) \text{ (CAM operating in typical mode)}$$

IMFB_SRAM/PDPRAM/FIFO

$$= (\text{WR_PERCENT} * (K1 + \text{WR_PERCENT} * 8 * K0 + K10 + K11) + \text{RD_PERCENT} * (K1 + 128 * \text{RD_PERCENT} * K0 + 8 * \text{OSW_PERCENT} * K2)) * \text{SRAM/PDPRAM/FIFO Memory MFBs} * \text{FREQ} / 1000\mu\text{A/mA}$$

IMFB_DPRAM

$$= (\text{WR_PERCENT} * (2 * K1 + 2 * \text{WR_PERCENT} * 8 * K0 + K10 + K11) + \text{RD_PERCENT} * (2 * K1 + 2 * 128 * \text{RD_PERCENT} * K0 + 8 * \text{OSW_PERCENT} * K2)) * \text{DPRAM Memory MFBs} * \text{FREQ} / 1000\mu\text{A/mA}$$

IPLL_D

$$= K5 * \text{PLL_FREQ} * \text{number of PLLs used. IPLL_D is the PLL digital component of the VCC supply current.}$$

Analog portion of PLL supply current consumption, from PLL power pin:

$$IPLL_A = (K6 * \text{PLL_FREQ} + K7) * \text{number of PLLs used}$$

Notes:

- ICC = Current consumption of VCC power supply (mA)
- ICC-DC = ICC DC component – Current consumption at 0Mhz (mA)
- IMFB_CPLD = CPLD (non-memory logic) current consumption (mA)
- IMFB_SRAM/PDPRAM/FIFO = Current consumption for SRAM, PDPRAM, and FIFO (mA)
- IMFB_DPRAM = Current consumption for DPRAM (mA)
- IMFB_CAM = Current consumption for CAM (mA)
- IPLL_D = PLL Current consumption of digital VCC power supply (mA)
- IPLL_A = PLL analog power pin current consumption (VCCP pin)

Switching Test Conditions

Figure 21 shows the output test load that is used for AC testing. The specific values for resistance, capacitance, voltage, and other test conditions are shown in Table 14.

Figure 21. Output Test Load, LVTTTL and LVCMOS Standards



Table 14. Test Fixture Required Components

| Test Condition | R ₁ | R ₂ | C _L | Timing Ref. | V _{CC0} |
|---|----------------|----------------|----------------|----------------------------------|--------------------|
| Default LVCMOS 1.8 I/O (L -> H, H -> L) | 106 | 106 | 35pF | V _{CC0} /2 | 1.8V |
| LVCMOS I/O (L -> H, H -> L) | — | — | 35pF | LVC MOS3.3 = 1.5V | LVC MOS3.3 = 3.0V |
| | | | | LVC MOS2.5 = V _{CC0} /2 | LVC MOS2.5 = 2.3V |
| | | | | LVC MOS1.8 = V _{CC0} /2 | LVC MOS1.8 = 1.65V |
| Default LVCMOS 1.8 I/O (Z -> H) | — | 106 | 35pF | V _{CC0} /2 | 1.65V |
| Default LVCMOS 1.8 I/O (Z -> L) | 106 | — | 35pF | V _{CC0} /2 | 1.65V |
| Default LVCMOS 1.8 I/O (H -> Z) | — | 106 | 5pF | V _{OH} - 0.15 | 1.65V |
| Default LVCMOS 1.8 I/O (L -> Z) | 106 | — | 5pF | V _{OL} + 0.15 | 1.65V |

Note: Output test conditions for all other interfaces are determined by the respective standards.

Signal Descriptions

| Signal Names | Descriptions |
|---|---|
| TMS | Input – This pin is the Test Mode Select input, which is used to control the IEEE 1149.1 state machine. |
| TCK | Input – This pin is the Test Clock input pin, used to clock the IEEE 1149.1 state machine. |
| TDI | Input – This pin is the IEEE 1149.1 Test Data in pin, used to load data. |
| TDO | Output – This pin is the IEEE 1149.1 Test Data out pin used to shift data out. |
| TOE | Input – Test Output Enable pin. TOE tristates all I/O pins when driven low. |
| GOE0, GOE1 | Input – Global output enable inputs. |
| RESET | Input – This pin resets all the registers in the device. The global polarity for this pin is selectable on a global basis. The default is active low. An external pull-down is required when polarity is set to active high. |
| yzz | Input/Output – These are the general purpose I/O used by the logic array. y is the MFB reference (alpha) and z is the macrocell reference (numeric) y: A-X (768 macrocells) y: A-P (512 macrocells) y: A-H (256 macrocells) z: 0-31 |
| GND | GND – Ground |
| NC | No connect |
| V _{CC} | V _{CC} – The power supply pins for core logic. |
| V _{CC0} , V _{CC1} , V _{CC2} , V _{CC3} | V _{CC} – The power supply pins for I/O banks 0, 1, 2, and 3. |
| V _{REF0} , V _{REF1} , V _{REF2} , V _{REF3} | Input – This pin defines the reference voltage for I/O banks 0, 1, 2, and 3. |
| GCLK0, GCLK1, GCLK2, GCLK3 | Input – Global clock/clock enable inputs (see Figure 14 for differential pairing). |
| CLK_OUT0, CLK_OUT1 | Output – Optional clock output from PLL 0 and 1. |
| PLL_RST0, PLL_RST1 | Input – Optional input resets the M divider in PLL 0 and 1. |
| PLL_FBK0, PLL_FBK1 | Input – Optional feedback input for PLL 0 and 1. |
| GNDP | GND – Ground for PLLs. |
| V _{CCP} | V _{CC} – The power supply pin for PLLs. |
| V _{CCJ} | V _{CC} – The power supply for the IEEE 1149.1 interface. |
| DATAx | I/O – sysCONFIG data pins, bit x. |
| CSB | Input – sysCONFIG interface chip select. Drive low to select sysCONFIG interface. |
| CFG0 | Input – Defines SRAM configuration mode. Low: sysCONFIG port, high: E ² C MOS or IEEE 1149.1 TAP. |
| PROGRAMB | Input – Controls the programming of SRAM. Hold high for normal operation. Toggle low to reload SRAM from E ² memory. |
| CCLK' | Input – Clock for sysCONFIG interface. Reads and writes occur on the rising edge of the clock. |
| READ' | Input – Drive high to perform reads from the sysCONFIG interface. |
| INITB | I/O – Indicates status of configuration. Can be driven low to inhibit configuration. |
| DONE | Output (open drain) – Indicates status of configuration. |

1. These inputs should not toggle during power up for proper power-up configuration.

ispXPLD 5000MX Power Supply and NC Connections¹

**SELECT DEVICES
DISCONTINUED**

| Signals | 208 PQFP ⁴ | 256 fpBGA ^{3,5} | 484 fpBGA, 5 ³ | 672 fpBGA ^{3,5} |
|-----------------|--|--|---|---|
| VCC | 10, 49, 76, 114, 153, 180 | D4, D13, F6, F11, L6, L11, N4, N13 | A17, A6, AA2, AA21, AB17, AB6, B2, B21, D19, D4, F1, F22, G10, G11, G12, G13, K16, K7, L16, L7, M16, M7, T10, T11, T12, T13, T14, T9, U1, U22, W19, W4 | AA21, AA6, F21, F6, G20, G7, J13, J14, K13, K14, L13, L14, M13, M14, N10, N11, N12, N15, N16, N17, N18, N9, P10, P11, P12, P15, P16, P17, P18, P9, R13, R14, T13, T14, U13, U14, V13, V14, Y20, Y7 |
| VCCO0 | 5, 17, 189, 204 | A1, F7, G6 | B9, C3, G8, G9, H7, J2, J7, P4 | H10, H11, H8, H9, J8, J9, K8, L8, M8, N8 |
| VCCO1 | 42, 57, 72 | K6, L7, T1 | AA9, R7, T3, T8, Y3 | P8, R8, T8, U8, V8, W9, W10, W11, W8, W9 |
| VCCO2 | 85, 100, 107, 121 | K11, L10, T16 | AA14, R16, T15, T20, Y20 | P19, R19, T19, U19, V18, V19, W12, W13, W14, W15, W16, W17, W18, W19 |
| VCCO3 | 146, 161, 176 | A16, F10, G11 | B14, C20, G14, G15, H16, J16, J21, P19 | H12, H13, H14, H15, H16, H17, H18, H19, J18, J19, K19, L19, M19, N19 |
| VCCP | 136 | J16 | M22 | N25 |
| VCCJ | 27 | J1 | M1 | N4 |
| GND | 15, 29, 44, 81, 119, 148, 185, 7, 19, 191, 205, 40, 56, 70, 87, 101, 109, 123, 144, 160, 174 | K1, C3, C14, E5, E12, G7, G8, G9, G10, H7, H8, H9, H10, J7, J8, J9, J10, K7, K8, K9, K10, M5, M12, P3 | N1, A1, A2, A21, A22, AA1, AA22, AB1, AB22, B1, B22, C15, C8, D11, D12, E18, E5, F17, F6, G16, G7, H10, H11, H12, H13, H14, H15, H20, H3, H8, H9, J10, J11, J12, J13, J14, J15, J8, J9, K10, K11, K12, K13, K14, K15, K8, K9, L10, L11, L12, L13, L14, L15, L19, L4, L8, L9, M10, M11, M12, M13, M14, M19, M4, M9, N10, N11, N12, N13, N14, N9, P10, P11, P12, P13, P14, P9, R10, R11, R12, R13, R14, R15, R8, R9, T16, T7, W11, W12, Y15, Y8 | A11, A16, A2, A25, AE1, AE2, AE25, AE26, AF11, AF16, AF2, AF25, B1, B2, B25, B26, J10, J11, J12, J15, J16, J17, K10, K11, K12, K15, K16, K17, K18, K9, L1, L10, L11, L12, L15, L16, L17, L18, L26, L9, M10, M11, M12, M15, M16, M17, M18, M9, N13, N14, P13, P14, R10, R11, R12, R15, R16, R17, R18, R9, T1, T10, T11, T12, T15, T16, T17, T18, T26, T9, U10, U11, U12, U15, U16, U17, U18, U9, V10, V11, V12, V15, V16, V17 |
| GNDP | 134 | K16 | N22 | P26 |
| NC ² | — | 5256MX: A2, A11, A12, A15, B2, B12, B15, B16, C4, C12, C15, C16, D1, D11, D14, D15, D16, E1, E4, E10, E11, E13, E14, F4, F5, F12, F13, L1, L4, M3, M7, M13, N2, N6, P1, P2, P5, P6, P13, P14, P15, P16, R1, R2, R4, R5, R6, R16, T2, T3, T4, T5, T6 5512MX/5768MX: L1 | 5512MX: P1, AA19, AB2, AB21, J17, J6, K1, K17, K18, K19, K2, K20, K21, K22, K3, K4, K5, K6, L1, L17, L18, L2, L20, L21, L22, L3, L5, L6, M15, M17, M18, M2, M20, M21, M3, M5, M6, M8, N15, N17, N18, N19, N2, N20, N21, N3, N4, N5, N6, N8, P15, P17, P18, P2, P21, P22, P5, P6, P8, U17, U6, V18, V5, W6 5768MX/51024MX: None | A12, A13, A14, A15, AA10, AA11, AA12, AA13, AA14, AA15, AA16, AA17, AA7, AB10, AB11, AB12, AB13, AB14, AB15, AB16, AB17, AC10, AC11, AC12, AC13, AC14, AC15, AC16, AC17, AD11, AD12, AD13, AD14, AD15, AD16, AE11, AE12, AE13, AE14, AE15, AE16, AF12, AF13, AF14, AF15, B11, B12, B13, B14, B15, B16, C11, C12, C13, C14, C15, C16, C3, D10, D11, D12, D13, D14, D15, D16, D17, E10, E11, E12, E13, E14, E15, E16, E17, E6, E7, E8, F10, F11, F12, F13, F14, F15, F16, F17, G10, G11, G12, G13, G14, G15, G16, G17, Y10, Y11, Y12, Y13, Y14, Y15, Y16, Y17 |

1. All grounds must be electrically connected at the board level.
2. NC pins should not be connected to any active signals, V_{CC} or GND.
3. Balls for GND, V_{CC} and V_{CCOx} are connected within the substrate to their respective common signals. Pin orientation A1 starts from the upper left corner of the top side view with alphabetical order ascending vertically and numerical order ascending horizontally.
4. Pin orientation follows the conventional counter-clockwise order from pin 1 marking of the topside view.
5. Internal GNDs and I/O GNDs (Bank 0 - Bank 3) are connected inside package. V_{CCO} balls connect to four power planes within the package, one each for V_{CCOx}.

ispXPLD 5256MX Logic Signal Connections

| sysIO Bank | LVDS Pair | Primary Macrocell/ Function | Alternate Outputs | | Alternate Input | 256 fpBGA Ball Number |
|------------|-----------|--------------------------------|-------------------|-------------|-----------------|--|
| | | | Macrocell 1 | Macrocell 2 | | |
| 0 | 61N | H30 | G17 | H17 | H31 | B1 |
| 0 | 61P | H28 | G16 | H16 | H29 | C1 |
| 0 | 62N | H26 | G15 | H15 | H27 | D3 |
| 0 | 62P | H24 | G14 | H14 | H25 | C2 |
| 0 | 63N | H22 | G13 | H13 | H23 | E3 |
| 0 | 63P | H21 | G12 | H12 | - | D2 |
| - | - | VCC | - | - | - | VCC |
| 0 | 64N | H20 | G11 | H11 | - | E2 |
| 0 | 64P | H18/CLK_OUT0 | G10 | H10 | H19 | F2 |
| 0 | 65N | H16 | G9 | H9 | H17 | F1 |
| 0 | 65P | H14 | G8 | H8 | H15 | G1 |
| - | - | GND | - | - | - | GND |
| 0 | 66N | H12 | G7 | H7 | H13 | F3 |
| - | - | VCCO0 | - | - | - | VCCO0 |
| 0 | 66P | H10 | G6 | H6 | H11 | G5 |
| - | - | GND (Bank 0) | - | - | - | GND (Bank 0) |
| 0 | 67N | H8 | G5 | H5 | H9 | H5 |
| 0 | 67P | H6/PLL_RST0 | G4 | H4 | H7 | G4 |
| 0 | 68N | H5 | - | - | - | G3 |
| 0 | 68P | H4/PLL_FBK0 | - | - | - | H3 |
| 0 | 69N | H2 | - | - | H3 | G2 |
| 0 | 69P | H0 | - | - | H1 | H1 |
| - | GCLK0P | GCLK0 | - | - | - | H2 |
| - | - | VCCJ | - | - | - | See Power Supply and NC Connections Table |
| - | GCLK0N | GCLK1 | - | - | - | J2 |
| - | - | GND | - | - | - | GND |
| - | - | TDI | - | - | - | H6 |
| - | - | TMS | - | - | - | H4 |
| - | - | TCK | - | - | - | J6 |
| - | - | TDO | - | - | - | K2 |
| 1 | 0P | A0/DATA0 | A0 | B0 | A1 | K3 |
| 1 | 0N | A2/DATA1 | A1 | B1 | A3 | J3 |
| 1 | 1P | A4/DATA2 | A2 | B2 | - | J5 |
| 1 | 1N | A5/DATA3 | A3 | B3 | - | J4 |
| 1 | 2P | A6/DATA4 | A4 | B4 | A7 | L2 |
| 1 | 2N | A8/DATA5 | A5 | B5 | A9 | M1 |
| - | - | GND (Bank 1) | - | - | - | GND (Bank 1) |
| 1 | 3P | A10/DATA6 | A6 | B6 | A11 | K4 |
| - | - | VCCO1 | - | - | - | VCCO1 |
| 1 | 3N | A12/DATA7 | A7 | B7 | A13 | L3 |
| - | - | GND | - | - | - | GND |
| 1 | 4P | A14/INITB | A8 | B8 | A15 | K5 |

ispXPLD 5256MX Logic Signal Connections (Continued)

| sysIO Bank | LVDS Pair | Primary Macrocell/ Function | Alternate Outputs | | Alternate Input | 256 fpBGA Ball Number |
|------------|-----------|--------------------------------|-------------------|-------------|-----------------|--------------------------|
| | | | Macrocell 1 | Macrocell 2 | | |
| 1 | 4N | A16/CSB | A9 | B9 | A17 | L5 |
| 1 | 5P | A18/READ | A10 | B10 | A19 | N1 |
| 1 | 5N | A20/CCLK | A11 | B11 | A21 | M2 |
| - | - | VCC | - | - | - | VCC |
| - | - | DONE | - | - | - | M4 |
| 1 | 6P | A22 | A12 | B12 | A23 | N3 |
| 1 | 6N | A24 | A13 | B13 | A25 | P4 |
| 1 | 7P | A26 | A14 | B14 | A27 | N5 |
| 1 | 7N | A28 | A15 | B15 | A29 | M6 |
| - | - | PROGRAMB | - | - | - | R3 |
| - | - | GND (Bank 1) | - | - | - | GND (Bank 1) |
| - | - | VCCO1 | - | - | - | VCCO1 |
| - | - | CFG0 | - | - | - | L8 |
| 1 | 8P | B2 | A16 | B16 | B3 | T7 |
| 1 | 8N | B4 | A17 | B17 | - | R7 |
| 1 | 9P | B5 | A18 | B18 | - | N7 |
| 1 | 9N | B6 | A19 | B19 | B7 | P7 |
| 1 | 10P | B8 | A20 | B20 | B9 | T8 |
| 1 | 10N | B10 | A21 | B21 | B11 | R8 |
| 1 | 11P | B12 | A22 | B22 | B13 | M8 |
| 1 | 11N | B14 | A23 | B23 | B15 | P8 |
| 1 | - | B16/VREF1 | - | - | B17 | L9 |
| 1 | 12P | B18 | A24 | B24 | B19 | N8 |
| 1 | 12N | B20 | A25 | B25 | - | M9 |
| - | - | GND (Bank 1) | - | - | - | GND (Bank 1) |
| 1 | 13P | B21 | A26 | B26 | - | N10 |
| - | - | VCCO1 | - | - | - | VCCO1 |
| 1 | 13N | B22 | A27 | B27 | B23 | T9 |
| 1 | 14P | B24 | A28 | B28 | B25 | T10 |
| 1 | 14N | B26 | A29 | B29 | B27 | R9 |
| - | - | VCC | - | - | - | VCC |
| 1 | 15P | B28 | A30 | B30 | B29 | P9 |
| 1 | 15N | B30 | A31 | B31 | B31 | N9 |
| 2 | 16P | C0 | C0 | D0 | C1 | T11 |
| 2 | 16N | C2 | C1 | D1 | C3 | T12 |
| 2 | 17P | C4 | C2 | D2 | - | P10 |
| 2 | 17N | C5 | C3 | D3 | - | R10 |
| 2 | 18P | C6 | C4 | D4 | C7 | R11 |
| - | - | VCCO2 | - | - | - | VCCO2 |
| 2 | 18N | C8 | C5 | D5 | C9 | M10 |
| - | - | GND (Bank 2) | - | - | - | GND (Bank 2) |
| 2 | 19P | C10 | C6 | D6 | C11 | M11 |
| 2 | 19N | C12 | C7 | D7 | C13 | T13 |

ispXPLD 5256MX Logic Signal Connections (Continued)

| sysIO Bank | LVDS Pair | Primary Macrocell/ Function | Alternate Outputs | | Alternate Input | 256 fpBGA Ball Number |
|------------|-----------|--------------------------------|-------------------|-------------|-----------------|--|
| | | | Macrocell 1 | Macrocell 2 | | |
| 2 | 20P | C14 | - | - | C15 | P11 |
| 2 | 20N | C16/VREF2 | - | - | C17 | T14 |
| 2 | 21P | C18 | C8 | D8 | C19 | R12 |
| 2 | 21N | C20 | C9 | D9 | - | R13 |
| 2 | 22P | C21 | C10 | D10 | - | N11 |
| 2 | 22N | C22 | C11 | D11 | C23 | T15 |
| 2 | 23P | C24 | C12 | D12 | C25 | R14 |
| 2 | 23N | C26 | C13 | D13 | C27 | N12 |
| 2 | 24P | C28 | C14 | D14 | C29 | P12 |
| 2 | 24N | C30 | C15 | D15 | C31 | R15 |
| - | - | VCCO2 | - | - | - | VCCO2 |
| - | - | GND (Bank 2) | - | - | - | GND (Bank 2) |
| 2 | 25P | D0 | - | - | D1 | N15 |
| 2 | 25N | D2 | - | - | D3 | N14 |
| 2 | 26P | D4 | C16 | D16 | - | N16 |
| 2 | 26N | D5 | C17 | D17 | - | M16 |
| 2 | 27P | D6 | C18 | D18 | D7 | M14 |
| 2 | 27N | D8 | C19 | D19 | D9 | M15 |
| - | - | VCC | - | - | - | VCC |
| 2 | 28P | D10 | C20 | D20 | D11 | L13 |
| 2 | 28N | D12 | C21 | D21 | D13 | L12 |
| 2 | 29P | D14 | C22 | D22 | D15 | L15 |
| 2 | 29N | D16 | C23 | D23 | D17 | L16 |
| - | - | GND | - | - | - | GND |
| 2 | 30P | D18 | C24 | D24 | D19 | L14 |
| - | - | VCCO2 | - | - | - | VCCO2 |
| 2 | 30N | D20 | C25 | D25 | - | K15 |
| - | - | GND (Bank 2) | - | - | - | GND (Bank 2) |
| 2 | 31P | D21 | C26 | D26 | - | K14 |
| 2 | 31N | D22 | C27 | D27 | D23 | K12 |
| 2 | 32P | D24 | C28 | D28 | D25 | K13 |
| 2 | 32N | D26 | C29 | D29 | D27 | J13 |
| 2 | 33P | D28 | C30 | D30 | D29 | J14 |
| 2 | 33N | D30 | C31 | D31 | D31 | J12 |
| - | - | TOE | - | - | - | J15 |
| - | - | RESET | - | - | - | J11 |
| - | - | GOE0 | - | - | - | H11 |
| - | - | GOE1 | - | - | - | H13 |
| - | - | GNDP | - | - | - | See Power Supply and NC Connections Table |
| - | GCLK3N | GCLK2 | - | - | - | H15 |
| - | - | VCCP | - | - | - | See Power Supply and NC Connections Table |
| - | GCLK3P | GCLK3 | - | - | - | H16 |

ispXPLD 5256MX Logic Signal Connections (Continued)

| sysIO Bank | LVDS Pair | Primary Macrocell/ Function | Alternate Outputs | | Alternate Input | 256 fpBGA Ball Number |
|------------|-----------|--------------------------------|-------------------|-------------|-----------------|--------------------------|
| | | | Macrocell 1 | Macrocell 2 | | |
| 3 | 34N | E30 | - | - | E31 | H14 |
| 3 | 34P | E28 | - | - | E29 | G16 |
| 3 | 35N | E26 | - | - | E27 | G15 |
| 3 | 35P | E24/PLL_FBK1 | - | - | E25 | F15 |
| 3 | 36N | E22/PLL_RST1 | E27 | F27 | E23 | H12 |
| 3 | 36P | E21 | E26 | F26 | - | G14 |
| - | - | GND (Bank 3) | - | - | - | GND (Bank 3) |
| 3 | 37N | E20 | E25 | F25 | - | F16 |
| - | - | VCCO3 | - | - | - | VCCO3 |
| 3 | 37P | E18 | E24 | F24 | E19 | E16 |
| - | - | GND | - | - | - | GND |
| 3 | 38N | E16 | E23 | F23 | E17 | G13 |
| 3 | 38P | E14 | E22 | F22 | E15 | G12 |
| 3 | 39N | E12 | E21 | F21 | E13 | F14 |
| 3 | 39P | E10/CLK_OUT1 | E20 | F20 | E11 | E15 |
| - | - | VCC | - | - | - | VCC |
| 3 | 40N | E8 | E19 | F19 | E9 | D12 |
| 3 | 40P | E6 | E18 | F18 | E7 | B14 |
| 3 | 41N | E5 | E17 | F17 | - | C13 |
| 3 | 41P | E4 | E16 | F16 | - | A14 |
| 3 | 42N | E2 | E31 | F31 | E3 | A13 |
| 3 | 42P | E0 | E30 | F30 | E1 | B13 |
| - | - | GND (Bank 3) | - | - | - | GND (Bank 3) |
| - | - | VCCO3 | - | - | - | VCCO3 |
| 3 | 43N | F30 | E15 | F15 | F31 | B11 |
| 3 | 43P | F28 | E14 | F14 | F29 | C11 |
| 3 | 44N | F26 | E13 | F13 | F27 | B10 |
| 3 | 44P | F24 | E12 | F12 | F25 | A10 |
| 3 | 45N | F22 | E11 | F11 | F23 | C10 |
| 3 | 45P | F21 | E10 | F10 | - | D10 |
| 3 | 46N | F20 | E9 | F9 | - | C9 |
| 3 | 46P | F18 | E8 | F8 | F19 | E9 |
| 3 | 47N | F16/VREF3 | E29 | F29 | F17 | D9 |
| 3 | 47P | F14 | E28 | F28 | F15 | F9 |
| 3 | 48N | F12 | E7 | F7 | F13 | A9 |
| 3 | 48P | F10 | E6 | F6 | F11 | F8 |
| - | - | GND (Bank 3) | - | - | - | GND (Bank 3) |
| 3 | 49N | F8 | E5 | F5 | F9 | E8 |
| - | - | VCCO3 | - | - | - | VCCO3 |
| 3 | 49P | F6 | E4 | F4 | F7 | A8 |
| 3 | 50N | F5 | E3 | F3 | - | B9 |
| 3 | 50P | F4 | E2 | F2 | - | D8 |
| - | - | VCC | - | - | - | VCC |

ispXPLD 5256MX Logic Signal Connections (Continued)

| sysIO Bank | LVDS Pair | Primary Macrocell/ Function | Alternate Outputs | | Alternate Input | 256 fpBGA Ball Number |
|------------|-----------|--------------------------------|-------------------|-------------|-----------------|--------------------------|
| | | | Macrocell 1 | Macrocell 2 | | |
| 3 | 51N | F2 | E1 | F1 | F3 | B8 |
| 3 | 51P | F0 | E0 | F0 | F1 | C8 |
| 0 | 52N | G30 | G31 | H31 | G31 | B7 |
| 0 | 52P | G28 | G30 | H30 | G29 | A7 |
| - | - | GND | - | - | - | NC |
| 0 | 53N | G26 | G29 | H29 | G27 | D7 |
| 0 | 53P | G24 | G28 | H28 | G25 | C7 |
| 0 | 54N | G22 | G27 | H27 | G23 | B6 |
| - | - | VCCO0 | - | - | - | VCCO0 |
| 0 | 54P | G21 | G26 | H26 | - | E7 |
| - | - | GND (Bank 0) | - | - | - | GND (Bank 0) |
| 0 | 55N | G20 | G25 | H25 | - | E6 |
| 0 | 55P | G18 | G24 | H24 | G19 | A6 |
| 0 | 56N | G16/VREF0 | G3 | H3 | G17 | A5 |
| 0 | 56P | G14 | G2 | H2 | G15 | A4 |
| 0 | 57N | G12 | G23 | H23 | G13 | B5 |
| 0 | 57P | G10 | G22 | H22 | G11 | A3 |
| 0 | 58N | G8 | G21 | H21 | G9 | B4 |
| 0 | 58P | G6 | G20 | H20 | G7 | B3 |
| 0 | 59N | G5 | G19 | H19 | - | C5 |
| 0 | 59P | G4 | G18 | H18 | - | C6 |
| 0 | 60N | G2 | G1 | H1 | G3 | D5 |
| 0 | 60P | G0 | G0 | H0 | G1 | D6 |
| - | - | VCCO0 | - | - | - | VCCO0 |
| - | - | GND (Bank 0) | - | - | - | GND (Bank 0) |

Global Clock LVDS pair options: GCLK0 and GCLK1, as well as GCLK2 and GCLK3, can be paired together to receive differential clocks; where GCLK0 and GCLK3 are the positive LVDS inputs

ispXPLD 5512MX Logic Signal Connections

| sysIO Bank | LVDS Pair | Primary Macrocell/ Function | Alternate Outputs | | Alternate Input | 208 PQFP Pin Number | 256 fpBGA Ball Number | 484 fpBGA Ball Number |
|------------|-----------|--------------------------------|-------------------|-------------|-----------------|---|-----------------------|-----------------------|
| | | | Macrocell 1 | Macrocell 2 | | | | |
| 0 | 109N | O30 | O11 | P18 | O31 | 208 | C4 | B4 |
| 0 | 109P | O28 | O10 | P16 | O29 | 1 | E4 | A4 |
| 0 | 110N | O26 | M17 | O17 | O27 | 2 | B1 | B3 |
| 0 | 110P | O24 | M16 | O16 | O25 | 3 | C1 | A3 |
| 0 | 111N | O22 | M15 | O15 | O23 | 4 | D3 | F5 |
| — | — | V _{CC00} | — | — | — | 5 | V _{CC00} | V _{CC00} |
| 0 | 111P | O20 | M14 | O14 | O21 | 6 | C2 | G6 |
| — | — | GND (Bank 0) | — | — | — | 7 | GND (Bank 0) | GND (Bank 0) |
| 0 | 112N | O18 | M13 | O13 | O19 | 8 | E3 | H6 |
| 0 | 112P | O16 | M12 | O12 | O17 | 9 | D2 | G5 |
| 0 | 113N | O14 | O9 | P14 | O15 | — | — | D3 |
| 0 | 113P | O12 | O8 | P12 | O13 | — | — | D2 |
| 0 | 114N | O10 | O7 | P10 | O11 | — | — | E4 |
| 0 | 114P | O8 | O6 | P8 | O9 | — | — | E3 |
| 0 | 115N | O6 | O5 | P6 | O7 | — | — | F4 |
| 0 | 115P | O4 | O4 | P4 | O5 | — | — | G4 |
| 0 | 116N | O2 | O3 | P2 | O3 | — | — | C2 |
| — | — | V _{CC00} | — | — | — | — | V _{CC00} | V _{CC00} |
| 0 | 116P | O0 | O2 | P0 | O1 | — | — | C1 |
| — | — | GND (Bank 0) | — | — | — | — | GND (Bank 0) | GND (Bank 0) |
| 0 | 117N | P30 | O1 | — | P31 | — | D1 | F3 |
| 0 | 117P | P28 | O0 | — | P29 | — | E1 | G3 |
| 0 | 118N | P26 | O31 | — | P27 | — | F4 | H4 |
| — | — | V _{CC} | — | — | — | 10 | V _{CC} | V _{CC} |
| 0 | 118P | P24 | O30 | — | P25 | — | F5 | J4 |
| 0 | 119N | P22 | M11 | O11 | P23 | 11 | E2 | H5 |
| 0 | 119P | P20/CLK_OUT0 | M10 | O10 | P21 | 12 | F2 | J5 |
| 0 | 120N | P18 | M9 | O9 | P19 | 13 | F1 | E2 |
| 0 | 120P | P16 | M8 | O8 | P17 | 14 | G1 | F2 |
| — | — | GND | — | — | — | 15 | GND | GND |
| 0 | 121N | P14 | M7 | O7 | P15 | 16 | F3 | D1 |
| — | — | V _{CC00} | — | — | — | 17 | V _{CC00} | V _{CC00} |
| 0 | 121P | P12 | M6 | O6 | P13 | 18 | G5 | E1 |
| — | — | GND (Bank 0) | — | — | — | 19 | GND (Bank 0) | GND (Bank 0) |
| 0 | 122N | P10 | M5 | O5 | P11 | 20 | H5 | J3 |
| 0 | 122P | P8/PLL_RST0 | M4 | O4 | P9 | 21 | G4 | H2 |
| 0 | 123N | P6 | — | — | P7 | 22 | G3 | G2 |
| 0 | 123P | P4/PLL_FBK0 | — | — | P5 | 23 | H3 | G1 |
| 0 | 124N | P2 | — | — | P3 | 24 | G2 | H1 |
| 0 | 124P | P0 | — | — | P1 | 25 | H1 | J1 |
| — | GCLK0P | GCLK0 | — | — | — | 26 | H2 | N7 |
| — | — | V _{CCJ} | — | — | — | See Power Supply and NC Connections Table | | |

ispXPLD 5512MX Logic Signal Connections (Continued)

| sysIO Bank | LVDS Pair | Primary Macrocell/ Function | Alternate Outputs | | Alternate Input | 208 PQFP Pin Number | 256 fpBGA Ball Number | 484 fpBGA Ball Number |
|------------|-----------|--------------------------------|-------------------|-------------|-----------------|---------------------|-----------------------|-----------------------|
| | | | Macrocell 1 | Macrocell 2 | | | | |
| — | GCLK0N | GCLK1 | — | — | — | 28 | J2 | P7 |
| — | — | GND | — | — | — | 29 | GND | GND |
| — | — | TDI | — | — | — | 30 | H6 | R1 |
| — | — | TMS | — | — | — | 31 | H4 | R2 |
| — | — | TCK | — | — | — | 32 | J6 | T1 |
| — | — | TDO | — | — | — | 33 | K2 | V1 |
| 1 | 0P | A0/DATA0 | B0 | D0 | A1 | 34 | K3 | W1 |
| 1 | 0N | A2/DATA1 | B1 | D1 | A3 | 35 | J3 | Y1 |
| 1 | 1P | A4/DATA2 | B2 | D2 | A5 | 36 | J5 | P3 |
| 1 | 1N | A6/DATA3 | B3 | D3 | A7 | 37 | J4 | R3 |
| 1 | 2P | A8/DATA4 | B4 | D4 | A9 | 38 | L2 | T2 |
| 1 | 2N | A10/DATA5 | B5 | D5 | A11 | 39 | M1 | U2 |
| — | — | GND (Bank 1) | — | — | — | 40 | GND (Bank 1) | GND (Bank 1) |
| 1 | 3P | A12/DATA6 | B6 | D6 | A13 | 41 | K4 | V2 |
| — | — | V _{CCO1} | — | — | — | 42 | V _{CCO1} | V _{CCO1} |
| 1 | 3N | A14/DATA7 | B7 | D7 | A15 | 43 | L3 | W2 |
| — | — | GND | — | — | — | 44 | GND | GND |
| 1 | 4P | A16/INITB | B8 | D8 | A17 | 45 | K5 | R4 |
| 1 | 4N | A18/CSB | B9 | D9 | A19 | 46 | L5 | T4 |
| 1 | 5P | A20/READ | B10 | D10 | A21 | 47 | N1 | R6 |
| 1 | 5N | A22/CCLK | B11 | D11 | A23 | 48 | M2 | R5 |
| 1 | 6P | A24 | — | — | A25 | — | — | U3 |
| — | — | VCC | — | — | — | 49 | VCC | VCC |
| 1 | 6N | A26 | — | — | A27 | — | P1 ¹ | V3 |
| 1 | 7P | A28 | — | — | A29 | — | M3 | Y2 |
| 1 | 7N | A30 | — | — | A31 | — | L4 | W3 |
| 1 | 8P | B0 | A0 | — | B1 | — | N2 | U5 |
| 1 | 8N | B2 | A2 | — | B3 | — | P2 | T5 |
| — | — | GND (Bank 1) | — | — | — | — | GND (Bank 1) | GND (Bank 1) |
| 1 | 9P | B4 | A4 | — | — | — | R1 | U4 |
| — | — | V _{CCO1} | — | — | — | — | V _{CCO1} | V _{CCO1} |
| 1 | 9N | B5 | A6 | — | — | — | R2 | V4 |
| 1 | 10P | B6 | A8 | — | B7 | — | T2 | AA3 |
| 1 | 10N | B8 | A10 | — | B9 | — | T3 | AB3 |
| 1 | — | B10 | A12 | — | B11 | — | — | Y4 |
| — | — | DONE | — | — | — | 50 | M4 | AA4 |
| 1 | 11P | B14 | B12 | D12 | B15 | 51 | N3 | AB4 |
| 1 | 11N | B16 | B13 | D13 | B17 | 52 | P4 | AB5 |
| 1 | 12P | B18 | B14 | D14 | B19 | 53 | N5 | T6 |
| 1 | 12N | B20 | B15 | D15 | B21 | 54 | M6 | U7 |
| — | — | PROGRAMB | — | — | — | 55 | R3 | W5 |
| 1 | — | B22 | A14 | — | B23 | — | P5 | U8 |
| — | — | GND (Bank 1) | — | — | — | 56 | GND (Bank 1) | GND (Bank 1) |

ispXPLD 5512MX Logic Signal Connections (Continued)

| sysIO Bank | LVDS Pair | Primary Macrocell/ Function | Alternate Outputs | | Alternate Input | 208 PQFP Pin Number | 256 fpBGA Ball Number | 484 fpBGA Ball Number |
|------------|-----------|--------------------------------|-------------------|-------------|-----------------|---------------------|-----------------------|-----------------------|
| | | | Macrocell 1 | Macrocell 2 | | | | |
| 1 | 13P | B24 | A16 | — | B25 | — | T4 | V6 |
| — | — | V _{CCO1} | — | — | — | 57 | V _{CCO1} | V _{CCO1} |
| 1 | 13N | B26 | A18 | — | B27 | — | T5 | V7 |
| 1 | 14P | B28 | A20 | — | B29 | — | R4 | Y5 |
| 1 | 14N | B30 | A22 | — | B31 | — | N6 | AA5 |
| 1 | 15P | C0 | — | — | C1 | — | R5 | Y6 |
| 1 | 15N | C2 | — | — | C3 | — | P6 | Y7 |
| 1 | 16P | C4 | — | — | C5 | — | — | AA6 |
| 1 | 16N | C8 | — | — | C9 | — | — | AA7 |
| 1 | 17P | C10 | — | — | C11 | — | — | W7 |
| 1 | 17N | C12 | — | — | C13 | — | M7 ¹ | V8 |
| 1 | 18P | C16 | — | — | C17 | — | T6 | W8 |
| 1 | 18N | C18 | — | — | C19 | — | R6 | U9 |
| — | — | GND0 (Bank 1) | — | — | — | — | GND (Bank 1) | GND (Bank 1) |
| — | — | CFG0 | — | — | — | 58 | L8 | U10 |
| — | — | V _{CCO1} | — | — | — | — | V _{CCO1} | V _{CCO1} |
| 1 | 19P | C24 | B16 | D16 | C25 | 59 | T7 | AB7 |
| 1 | 19N | C26 | B17 | D17 | C27 | 60 | R7 | AA8 |
| 1 | 20P | C28 | B18 | D18 | C29 | 61 | N7 | AB8 |
| 1 | 20N | D0 | B19 | D19 | D1 | 62 | P7 | AB9 |
| 1 | 21P | D2 | B20 | D20 | D3 | 63 | T8 | W9 |
| 1 | 21N | D4 | B21 | D21 | D5 | 64 | R8 | Y9 |
| 1 | 22P | D6 | B22 | D22 | D7 | 65 | M8 | AB10 |
| 1 | 22N | D8 | B23 | D23 | D9 | 66 | P8 | AA10 |
| 1 | — | D10/V _{REF1} | — | — | D11 | 67 | L9 | W10 |
| 1 | 23P | D12 | B24 | D24 | D13 | 68 | N8 | Y10 |
| 1 | 23N | D16 | B25 | D25 | D17 | 69 | M9 | Y11 |
| — | — | GND (Bank 1) | — | — | — | 70 | GND (Bank 1) | GND (Bank 1) |
| 1 | 24P | D18 | B26 | D26 | D19 | 71 | N10 | V9 |
| — | — | V _{CCO1} | — | — | — | 72 | V _{CCO1} | V _{CCO1} |
| 1 | 24N | D20 | B27 | D27 | D21 | 73 | T9 | V10 |
| 1 | 25P | D22 | B28 | D28 | D23 | 74 | T10 | AA11 |
| 1 | 25N | D24 | B29 | D29 | D25 | 75 | R9 | AB11 |
| — | — | VCC | — | — | — | 76 | VCC | VCC |
| 1 | 26P | D26 | B30 | D30 | D27 | 77 | P9 | U11 |
| 1 | 26N | D28 | B31 | D31 | D29 | 78 | N9 | V11 |
| 2 | 27P | E0 | F0 | H0 | E1 | 79 | T11 | AB12 |
| 2 | 27N | E2 | F1 | H1 | E3 | 80 | T12 | AA12 |
| — | — | GND | — | — | — | 81 | NC | GND |
| — | — | GND | — | — | — | — | GND | GND |
| 2 | 28P | E4 | F2 | H2 | E5 | 82 | P10 | Y12 |
| 2 | 28N | E6 | F3 | H3 | E7 | 83 | R10 | AA13 |
| 2 | 29P | E8 | F4 | H4 | E9 | 84 | R11 | V12 |

ispXPLD 5512MX Logic Signal Connections (Continued)

| sysIO Bank | LVDS Pair | Primary Macrocell/ Function | Alternate Outputs | | Alternate Input | 208 PQFP Pin Number | 256 fpBGA Ball Number | 484 fpBGA Ball Number |
|------------|-----------|--------------------------------|-------------------|-------------|-----------------|---------------------|-----------------------|-----------------------|
| | | | Macrocell 1 | Macrocell 2 | | | | |
| — | — | V _{CCO2} | — | — | — | 85 | V _{CCO2} | V _{CCO2} |
| 2 | 29N | E10 | F5 | H5 | E11 | 86 | M10 | U12 |
| — | — | GND (Bank 2) | — | — | — | 87 | GND (Bank 2) | GND (Bank 2) |
| 2 | 30P | E12 | F6 | H6 | E13 | 88 | M11 | AB13 |
| 2 | 30N | E16 | F7 | H7 | E17 | 89 | T13 | Y13 |
| 2 | 31P | E18 | — | — | E19 | 90 | P11 | V13 |
| 2 | 31N | E20/V _{REF2} | — | — | E21 | 91 | T14 | W13 |
| 2 | 32P | E22 | F8 | H8 | E23 | 92 | R12 | V14 |
| 2 | 32N | E24 | F9 | H9 | E25 | 93 | R13 | W14 |
| 2 | 33P | E26 | F10 | H10 | E27 | 94 | N11 | Y14 |
| 2 | 33N | E28 | F11 | H11 | E29 | 95 | T15 | AB14 |
| 2 | 34P | F0 | F12 | H12 | F1 | 96 | R14 | AB15 |
| 2 | 34N | F2 | F13 | H13 | F3 | 97 | N12 | AA15 |
| 2 | 35P | F4 | F14 | H14 | F5 | 98 | P12 | U13 |
| — | — | V _{CCO2} | — | — | — | — | V _{CCO2} | V _{CCO2} |
| 2 | 35N | F6 | F15 | H15 | F7 | 99 | R15 | U14 |
| — | — | GND (Bank 2) | — | — | — | — | GND (Bank 2) | GND (Bank 2) |
| 2 | 36P | F8 | E0 | — | F9 | — | — | W15 |
| 2 | 36N | F10 | E2 | — | F11 | — | — | W16 |
| 2 | 37P | F12 | E4 | — | F13 | — | — | Y16 |
| 2 | 37N | F16 | E6 | — | F17 | — | — | AA16 |
| 2 | 38P | F18 | E8 | — | F19 | — | — | AB16 |
| 2 | 38N | F20 | E10 | — | F21 | — | — | AA17 |
| 2 | 39P | F22 | E12 | — | F23 | — | — | Y17 |
| 2 | 39N | F24 | E16 | — | F25 | — | — | AA18 |
| 2 | 40P | F26 | E20 | — | F27 | — | — | W17 |
| 2 | 40N | F28 | E22 | — | F29 | — | — | W18 |
| 2 | 41P | G0 | — | — | G1 | — | — | V15 |
| — | — | V _{CCO2} | — | — | — | 100 | V _{CCO2} | V _{CCO2} |
| 2 | 41N | G2 | — | — | G3 | — | — | U15 |
| — | — | GND (Bank 2) | — | — | — | 101 | GND (Bank 2) | GND (Bank 2) |
| 2 | 42P | G4 | — | — | G5 | 102 | P13 | Y18 |
| 2 | 42N | G6 | — | — | G7 | 103 | P15 | V17 |
| 2 | 43P | G8 | — | — | G9 | — | M13 | V16 |
| 2 | 43N | G10 | — | — | G11 | — | P14 | U16 |
| 2 | 44P | G12 | — | — | G13 | — | — | AB18 |
| 2 | 44N | G14 | — | — | G15 | — | — | AB19 |
| 2 | 45P | G16 | — | — | G17 | — | — | U18 |
| 2 | 45N | G18 | — | — | G19 | — | — | T17 |
| 2 | 46P | G20 | — | — | G21 | 104 | R16 | AB20 |
| 2 | 46N | G22 | — | — | G23 | 105 | P16 | AA20 |
| 2 | 47P | G24 | — | — | G25 | 106 | N15 | Y19 |
| — | — | V _{CCO2} | — | — | — | 107 | V _{CCO2} | V _{CCO2} |

ispXPLD 5512MX Logic Signal Connections (Continued)

| sysIO Bank | LVDS Pair | Primary Macrocell/ Function | Alternate Outputs | | Alternate Input | 208 PQFP Pin Number | 256 fpBGA Ball Number | 484 fpBGA Ball Number |
|------------|-----------|--------------------------------|-------------------|-------------|-----------------|---|-----------------------|-----------------------|
| | | | Macrocell 1 | Macrocell 2 | | | | |
| 2 | 47N | G26 | — | — | G27 | 108 | N14 | V19 |
| — | — | GND (Bank 2) | — | — | — | 109 | GND (Bank 2) | GND (Bank 2) |
| 2 | 48P | G28 | F16 | H16 | G29 | 110 | N16 | T18 |
| 2 | 48N | G30 | F17 | H17 | G31 | 111 | M16 | R17 |
| 2 | 49P | H0 | F18 | H18 | H1 | 112 | M14 | U19 |
| 2 | 49N | H2 | F19 | H19 | H3 | 113 | M15 | T19 |
| 2 | 50P | H4 | E24 | — | H5 | — | — | V20 |
| — | — | V _{CC} | — | — | — | 114 | VCC | VCC |
| 2 | 50N | H6 | E26 | — | H7 | — | NC | U20 |
| 2 | 51P | H8 | F20 | H20 | H9 | 115 | L13 | W20 |
| 2 | 51N | H10 | F21 | H21 | H11 | 116 | L12 | Y21 |
| 2 | 52P | H12 | F22 | H22 | H13 | 117 | L15 | R18 |
| 2 | 52N | H14 | F23 | H23 | H15 | 118 | L16 | R19 |
| — | — | GND | — | — | — | 119 | GND | GND |
| 2 | 53P | H16 | F24 | H24 | H17 | 120 | L14 | W21 |
| — | — | V _{CCO2} | — | — | — | 121 | V _{CCO2} | V _{CCO2} |
| 2 | 53N | H18 | F25 | H25 | H19 | 122 | K15 | Y22 |
| — | — | GND (Bank 2) | — | — | — | 123 | GND (Bank 2) | GND (Bank 2) |
| 2 | 54P | H20 | F26 | H26 | H21 | 124 | K14 | R20 |
| 2 | 54N | H22 | F27 | H27 | H23 | 125 | K12 | P20 |
| 2 | 55P | H24 | F28 | H28 | H25 | 126 | K13 | T21 |
| 2 | 55N | H26 | F29 | H29 | H27 | 127 | J13 | R21 |
| 2 | 56P | H28 | F30 | H30 | H29 | 128 | J14 | U21 |
| 2 | 56N | H30 | F31 | H31 | H31 | 129 | J12 | V21 |
| — | — | TOE | — | — | — | 130 | J15 | W22 |
| — | — | RESET | — | — | — | 131 | J11 | V22 |
| — | — | GOE0 | — | — | — | 132 | H11 | T22 |
| — | — | GOE1 | — | — | — | 133 | H13 | R22 |
| — | — | GNDP | — | — | — | See Power Supply and NC Connections Table | | |
| — | GCLK3N | GCLK2 | — | — | — | 135 | H15 | P16 |
| — | — | V _{CCP} | — | — | — | See Power Supply and NC Connections Table | | |
| — | GCLK3P | GCLK3 | — | — | — | 137 | H16 | N16 |
| 3 | 57N | I30 | — | — | I31 | 138 | H14 | J22 |
| 3 | 57P | I28 | — | — | I29 | 139 | G16 | H22 |
| 3 | 58N | I26 | — | — | I27 | 140 | G15 | E22 |
| 3 | 58P | I24/PLL_FBK1 | — | — | I25 | 141 | F15 | E21 |
| 3 | 59N | I22/PLL_RST1 | I27 | K27 | I23 | 142 | H12 | G22 |
| 3 | 59P | I20 | I26 | K26 | I21 | 143 | G14 | F21 |
| — | — | GND (Bank 3) | — | — | — | 144 | GND (Bank 3) | GND (Bank 3) |
| 3 | 60N | I18 | I25 | K25 | I19 | 145 | F16 | H21 |
| — | — | V _{CCO3} | — | — | — | 146 | V _{CCO3} | V _{CCO3} |
| 3 | 60P | I16 | I24 | K24 | I17 | 147 | E16 | G21 |
| — | — | GND | — | — | — | 148 | GND | GND |

ispXPLD 5512MX Logic Signal Connections (Continued)

| sysIO Bank | LVDS Pair | Primary Macrocell/ Function | Alternate Outputs | | Alternate Input | 208 PQFP Pin Number | 256 fpBGA Ball Number | 484 fpBGA Ball Number |
|------------|-----------|--------------------------------|-------------------|-------------|-----------------|---------------------|-----------------------|-----------------------|
| | | | Macrocell 1 | Macrocell 2 | | | | |
| 3 | 61N | I14 | I23 | K23 | I15 | 149 | G13 | D22 |
| 3 | 61P | I12 | I22 | K22 | I13 | 150 | G12 | D21 |
| 3 | 62N | I10 | I21 | K21 | I11 | 151 | F14 | J20 |
| 3 | 62P | I8/CLK_OUT1 | I20 | K20 | I9 | 152 | E15 | J19 |
| 3 | 63N | I6 | K31 | — | I7 | — | F12 | E20 |
| — | — | V _{CC} | — | — | — | 153 | VCC | VCC |
| 3 | 63P | I4 | K30 | L30 | I5 | — | F13 | F20 |
| 3 | 64N | I2 | K29 | L28 | I3 | — | D16 | H17 |
| 3 | 64P | I0 | K28 | L26 | I1 | — | D15 | H18 |
| — | — | GND (Bank 3) | — | — | — | — | GND (Bank 3) | GND (Bank 3) |
| 3 | 65N | J30 | K27 | — | J31 | — | — | J18 |
| — | — | V _{CC03} | — | — | — | — | V _{CC03} | V _{CC03} |
| 3 | 65P | J28 | K26 | — | J29 | — | — | H19 |
| 3 | 66N | J26 | K25 | — | J27 | — | — | G20 |
| 3 | 66P | J24 | K24 | — | J25 | — | — | G19 |
| 3 | 67N | J22 | K23 | — | J23 | — | — | C22 |
| 3 | 67P | J20 | K22 | — | J21 | — | — | C21 |
| 3 | 68N | J18 | K21 | — | J19 | — | — | D20 |
| 3 | 68P | J16 | K20 | — | J17 | — | — | C19 |
| 3 | 69N | J14 | K19 | — | J15 | — | C16 | F19 |
| 3 | 69P | J12 | K18 | — | J13 | — | B16 | E19 |
| — | — | GND (Bank 3) | — | — | — | — | GND (Bank 3) | GND (Bank 3) |
| 3 | 70N | J10 | K17 | — | J11 | — | C15 | G18 |
| — | — | V _{CC03} | — | — | — | — | V _{CC03} | V _{CC03} |
| 3 | 70P | J8 | K16 | — | J9 | — | B15 | F18 |
| 3 | 71N | J6 | K15 | — | J7 | — | E14 | B20 |
| 3 | 71P | J4 | K14 | — | J5 | — | D14 | B19 |
| 3 | 72N | J2 | K13 | — | J3 | — | E13 | A20 |
| 3 | 72P | J0 | K12 | — | J1 | — | A15 | A19 |
| 3 | 73N | K30 | I19 | K19 | K31 | 154 | D12 | D18 |
| 3 | 73P | K28 | I18 | K18 | K29 | 155 | B14 | C18 |
| 3 | 74N | K26 | I17 | K17 | K27 | 156 | C13 | G17 |
| 3 | 74P | K24 | I16 | K16 | K25 | 157 | A14 | F16 |
| 3 | 75N | K22 | I31 | K31 | K23 | 158 | A13 | E17 |
| 3 | 75P | K21 | I30 | K30 | — | 159 | B13 | D17 |
| — | — | GND (Bank 3) | — | — | — | 160 | GND (Bank 3) | GND (Bank 3) |
| 3 | 76N | K20 | K11 | L21 | — | — | D11 | B18 |
| — | — | V _{CC03} | — | — | — | 161 | V _{CC03} | V _{CC03} |
| 3 | 76P | K18 | K10 | L20 | K19 | — | B12 | A18 |
| 3 | 77N | K16 | K9 | L18 | K17 | — | C12 | C17 |
| 3 | 77P | K14 | K8 | L16 | K15 | — | E11 | B17 |
| 3 | 78N | K12 | K7 | L12 | K13 | — | — | C16 |
| 3 | 78P | K10 | K6 | L10 | K11 | — | — | B16 |

ispXPLD 5512MX Logic Signal Connections (Continued)

| sysIO Bank | LVDS Pair | Primary Macrocell/ Function | Alternate Outputs | | Alternate Input | 208 PQFP Pin Number | 256 fpBGA Ball Number | 484 fpBGA Ball Number |
|------------|-----------|--------------------------------|-------------------|-------------|-----------------|---------------------|-----------------------|-----------------------|
| | | | Macrocell 1 | Macrocell 2 | | | | |
| 3 | 79N | K8 | K5 | L8 | K9 | — | — | F13 |
| 3 | 79P | K6 | K4 | L6 | K7 | — | — | F15 |
| 3 | 80N | K5 | K3 | L5 | — | — | — | D16 |
| 3 | 80P | K4 | K2 | L4 | — | — | E10 ¹ | E16 |
| 3 | 81N | K2 | K1 | L2 | K3 | — | A12 | A16 |
| 3 | 81P | K0 | K0 | L0 | K1 | — | A11 | A15 |
| — | — | GND (Bank 3) | — | — | — | — | GND (Bank 3) | GND (Bank 3) |
| 3 | 82N | L30 | I15 | K15 | L31 | 162 | B11 | B15 |
| — | — | V _{CCO3} | — | — | — | — | V _{CCO3} | V _{CCO3} |
| 3 | 82P | L28 | I14 | K14 | L29 | 163 | C11 | A14 |
| 3 | 83N | L26 | I13 | K13 | L27 | 164 | B10 | D15 |
| 3 | 83P | L24 | I12 | K12 | L25 | 165 | A10 | E15 |
| 3 | 84N | L22 | I11 | K11 | L23 | 166 | C10 | D14 |
| 3 | 84P | L21 | I10 | K10 | — | 167 | D10 | F14 |
| 3 | 85N | L20 | I9 | K9 | — | 168 | C9 | A13 |
| 3 | 85P | L18 | I8 | K8 | L19 | 169 | E9 | B13 |
| 3 | 86N | L16/VREF3 | I29 | K29 | L17 | 170 | D9 | C14 |
| 3 | 86P | L14 | I28 | K28 | L15 | 171 | F9 | E14 |
| 3 | 87N | L12 | I7 | K7 | L13 | 172 | A9 | E13 |
| 3 | 87P | L10 | I6 | K6 | L11 | 173 | F8 | F12 |
| — | — | GND (Bank 3) | — | — | — | 174 | GND (Bank 3) | GND (Bank 3) |
| 3 | 88N | L8 | I5 | K5 | L9 | 175 | E8 | D13 |
| — | — | V _{CCO3} | — | — | — | 176 | V _{CCO3} | V _{CCO3} |
| 3 | 88P | L6 | I4 | K4 | L7 | 177 | A8 | C13 |
| 3 | 89N | L5 | I3 | K3 | — | 178 | B9 | E12 |
| 3 | 89P | L4 | I2 | K2 | — | 179 | D8 | C12 |
| — | — | VCC | — | — | — | 180 | VCC | VCC |
| 3 | 90N | L2 | I1 | K1 | L3 | 181 | B8 | B12 |
| 3 | 90P | L0 | I0 | K0 | L1 | 182 | C8 | A12 |
| 0 | 91N | M30 | M31 | O31 | M31 | 183 | B7 | E11 |
| 0 | 91P | M28 | M30 | O30 | M29 | 184 | A7 | C11 |
| — | — | GND | — | — | — | 185 | — | GND |
| — | — | GND | — | — | — | — | GND | GND |
| 0 | 92N | M26 | M29 | O29 | M27 | 186 | D7 | B11 |
| 0 | 92P | M24 | M28 | O28 | M25 | 187 | C7 | A11 |
| 0 | 93N | M22 | M27 | O27 | M23 | 188 | B6 | F11 |
| — | — | V _{CCO0} | — | — | — | 189 | V _{CCO0} | V _{CCO0} |
| 0 | 93P | M21 | M26 | O26 | M22 | 190 | E7 | F10 |
| — | — | GND (Bank 0) | — | — | — | 191 | GND (Bank 0) | GND (Bank 0) |
| 0 | 94N | M20 | M25 | O25 | M21 | 192 | E6 | E10 |
| 0 | 94P | M18 | M24 | O24 | M19 | 193 | A6 | C10 |
| 0 | 95N | M16/V _{REF0} | M3 | O3 | M17 | 194 | A5 | D10 |
| 0 | 95P | M14 | M2 | O2 | M15 | 195 | A4 | B10 |

ispXPLD 5512MX Logic Signal Connections (Continued)

| sysIO Bank | LVDS Pair | Primary Macrocell/ Function | Alternate Outputs | | Alternate Input | 208 PQFP Pin Number | 256 fpBGA Ball Number | 484 fpBGA Ball Number |
|------------|-----------|--------------------------------|-------------------|-------------|-----------------|---------------------|-----------------------|-----------------------|
| | | | Macrocell 1 | Macrocell 2 | | | | |
| 0 | 96N | M12 | M23 | O23 | M13 | 196 | B5 | A10 |
| 0 | 96P | M10 | M22 | O22 | M11 | 197 | A3 | A9 |
| 0 | 97N | M8 | M21 | O21 | M9 | 198 | B4 | C9 |
| 0 | 97P | M6 | M20 | O20 | M7 | 199 | B3 | D9 |
| 0 | 98N | M5 | M19 | O19 | — | 200 | C5 | F9 |
| 0 | 98P | M4 | M18 | O18 | — | 201 | C6 | E9 |
| 0 | 99N | M2 | M1 | O1 | M3 | 202 | D5 | A8 |
| — | — | V _{CC00} | — | — | — | — | V _{CC00} | V _{CC00} |
| 0 | 99P | M0 | M0 | O0 | M1 | 203 | D6 | B8 |
| — | — | GND (Bank 0) | — | — | — | — | GND (Bank 0) | GND (Bank 0) |
| 0 | 100N | N30 | O29 | — | N31 | — | — | A7 |
| 0 | 100P | N28 | O28 | — | N29 | — | — | B7 |
| 0 | 101N | N26 | O27 | — | N27 | — | — | A5 |
| 0 | 101P | N24 | O26 | — | N25 | — | — | B5 |
| 0 | 102N | N22 | O25 | — | N23 | — | — | B6 |
| 0 | 102P | N21 | O24 | — | — | — | — | C7 |
| 0 | 103N | N20 | O23 | — | — | — | — | E8 |
| 0 | 103P | N18 | O22 | — | N19 | — | — | E7 |
| 0 | 104N | N16 | O21 | — | N17 | — | — | E6 |
| 0 | 104P | N14 | O20 | — | N15 | — | — | D6 |
| 0 | 105N | N12 | O19 | — | N13 | — | — | D8 |
| — | — | V _{CC00} | — | — | — | 204 | V _{CC00} | V _{CC00} |
| 0 | 105P | N10 | O18 | — | N11 | — | — | F8 |
| — | — | GND (Bank 0) | — | — | — | 205 | GND (Bank 0) | GND (Bank 0) |
| 0 | 106N | N8 | O17 | — | N9 | — | — | F7 |
| 0 | 106P | N6 | O16 | — | N7 | — | — | D7 |
| 0 | 107N | N5 | O15 | — | — | 206 | A2 | C6 |
| 0 | 107P | N4 | O14 | — | — | 207 | B2 | C5 |
| 0 | 108N | N2 | O13 | — | N3 | — | — | C4 |
| 0 | 108P | N0 | O12 | — | N1 | — | — | D5 |

1. Not available for differential pair.

Global Clock LVDS pair options: GCLK0 and GCLK1, as well as GCLK2 and GCLK3, can be paired together to receive differential clocks; where GCLK0 and GCLK3 are the positive LVDS inputs.

ispXPLD 5768MX Logic Signal Connections

| sysIO Bank | LVDS Pair | Primary Macrocell/ Function | Alternate Outputs | | Alternate Inputs | 256 fpBGA Ball Number | 484 fpBGA Ball Number |
|------------|-----------|--------------------------------|-------------------|-------------|---------------------|--------------------------|--------------------------|
| | | | Macrocell 1 | Macrocell 2 | | | |
| 0 | 127N | S22 | S11 | T18 | S23 | C4 | B4 |
| 0 | 127P | S20 | S10 | T16 | S21 | E4 | A4 |
| 0 | 128N | S18 | Q17 | S17 | S19 | B1 | B3 |
| 0 | 128P | S16 | Q16 | S16 | S17 | C1 | A3 |
| 0 | 129N | S14 | Q15 | S15 | S15 | D3 | F5 |
| - | - | VCCO0 | - | - | - | VCCO0 | VCCO0 |
| 0 | 129P | S12 | Q14 | S14 | S13 | C2 | G6 |
| - | - | GND (Bank 0) | - | - | - | GND (Bank 0) | GND (Bank 0) |
| 0 | 130N | S10 | Q13 | S13 | S11 | E3 | H6 |
| 0 | 130P | S8 | Q12 | S12 | S9 | D2 | G5 |
| 0 | 131N | S6 | S9 | T14 | S7 | — | D3 |
| 0 | 131P | S4 | S8 | T12 | S5 | — | D2 |
| 0 | 132N | S2 | S7 | T10 | S3 | — | E4 |
| - | - | VCC | - | - | - | VCC | VCC |
| 0 | 132P | S0 | S6 | T8 | S1 | — | E3 |
| - | - | GND | - | - | - | GND | GND |
| 0 | 133N | T30 | S5 | T6 | T31 | — | F4 |
| 0 | 133P | T28 | S4 | T4 | T29 | — | G4 |
| 0 | 134N | T26 | S3 | T2 | T27 | — | C2 |
| - | - | VCCO0 | - | - | - | VCCO0 | VCCO0 |
| 0 | 134P | T24 | S2 | T0 | T25 | — | C1 |
| - | - | GND (Bank 0) | - | - | - | GND (Bank 0) | GND (Bank 0) |
| 0 | 135N | T22 | S1 | - | T23 | D1 | F3 |
| 0 | 135P | T20 | S0 | - | T21 | E1 | G3 |
| 0 | 136N | T18 | S31 | - | T19 | F4 | H4 |
| - | - | VCC | - | - | - | VCC | VCC |
| 0 | 136P | T16 | S30 | - | T17 | F5 | J4 |
| 0 | 137N | T14 | Q11 | S11 | T15 | E2 | H5 |
| 0 | 137P | T12/CLK_OUT0 | Q10 | S10 | T13 | F2 | J5 |
| 0 | 138N | T10 | Q9 | S9 | T11 | F1 | E2 |
| 0 | 138P | T8 | Q8 | S8 | T9 | G1 | F2 |
| - | - | GND | - | - | - | GND | GND |
| 0 | 139N | T6 | Q7 | S7 | T7 | F3 | D1 |
| - | - | VCCO0 | - | - | - | VCCO0 | VCCO0 |
| 0 | 139P | T4 | Q6 | S6 | T5 | G5 | E1 |
| - | - | GND (Bank 0) | - | - | - | GND (Bank 0) | GND (Bank 0) |
| 0 | 140N | T2 | Q5 | S5 | T3 | H5 | J3 |
| 0 | 140P | T0/PLL_RST0 | Q4 | S4 | T1 | G4 | H2 |
| 0 | 141N | U30 | U31 | W31 | U31 | G3 | G2 |
| 0 | 141P | U28/PLL_FBK0 | U30 | W30 | U29 | H3 | G1 |
| 0 | 142N | U26 | U29 | W29 | U27 | — | J6 |
| 0 | 142P | U24 | U28 | W28 | U25 | — | K4 |

ispXPLD 5768MX Logic Signal Connections (Continued)

| sysIO Bank | LVDS Pair | Primary Macrocell/ Function | Alternate Outputs | | Alternate Inputs | 256 fpBGA Ball Number | 484 fpBGA Ball Number |
|------------|-----------|--------------------------------|-------------------|-------------|---------------------|--|--------------------------|
| | | | Macrocell 1 | Macrocell 2 | | | |
| 0 | 143N | U22 | U27 | W27 | U23 | — | K6 |
| - | - | VCCO0 | - | - | - | VCCO0 | VCCO0 |
| 0 | 143P | U20 | U26 | W26 | U21 | — | K3 |
| - | - | GND (Bank 0) | - | - | - | GND (Bank 0) | GND (Bank 0) |
| 0 | 144N | U18 | U25 | W25 | U19 | — | K5 |
| 0 | 144P | U16 | U24 | W24 | U17 | — | K2 |
| 0 | 145N | U14 | U23 | W23 | U15 | — | L5 |
| 0 | 145P | U12 | U22 | W22 | U13 | — | K1 |
| 0 | 146N | U10 | U21 | W21 | U11 | — | L6 |
| 0 | 146P | U8 | U20 | W20 | U9 | — | L1 |
| 0 | 147N | U6 | U19 | W19 | U7 | — | M5 |
| 0 | 147P | U4 | U18 | W18 | U5 | — | L2 |
| 0 | 148N | U2 | U17 | W17 | U3 | — | N5 |
| - | - | VCCO0 | - | - | - | VCCO0 | VCCO0 |
| 0 | 148P | U0 | U16 | W16 | U1 | — | L3 |
| - | - | GND (Bank 0) | - | - | - | GND (Bank 0) | GND (Bank 0) |
| 0 | 149N | W30 | U15 | W15 | W31 | — | M6 |
| 0 | 149P | W28 | U14 | W14 | W29 | — | M2 |
| 0 | 150N | W26 | U13 | W13 | W27 | — | P5 |
| - | - | VCC | - | - | - | VCC | VCC |
| 0 | 150P | W24 | U12 | W12 | W25 | — | P6 |
| 0 | 151N | W22 | U11 | W11 | W23 | — | M3 |
| 0 | 151P | W20 | U10 | W10 | W21 | — | N6 |
| 0 | 152N | W18 | U9 | W9 | W19 | — | N2 |
| 0 | 152P | W16 | U8 | W8 | W17 | — | P1 |
| - | - | GND | - | - | - | GND | GND |
| 0 | 153N | W14 | U7 | W7 | W15 | — | N3 |
| - | - | VCCO0 | - | - | - | VCCO0 | VCCO0 |
| 0 | 153P | W12 | U6 | W6 | W13 | — | M8 |
| - | - | GND (Bank 0) | - | - | - | GND (Bank 0) | GND (Bank 0) |
| 0 | 154N | W10 | U5 | W5 | W11 | — | N8 |
| 0 | 154P | W8 | U4 | W4 | - | — | P2 |
| 0 | 155N | W6 | U3 | W3 | W7 | — | P8 |
| 0 | 155P | W4 | U2 | W2 | W5 | — | N4 |
| 0 | 156N | W2 | U1 | W1 | W3 | G2 | H1 |
| 0 | 156P | W0 | U0 | W0 | W1 | H1 | J1 |
| - | GCLK0P | GCLK0 | - | - | - | H2 | N7 |
| - | - | VCCJ | - | - | - | See Power Supply and NC Connections Table | |
| - | GCLK0N | GCLK1 | - | - | - | J2 | P7 |
| - | - | GND | - | - | - | GND | GND |
| - | - | TDI | - | - | - | H6 | R1 |
| - | - | TMS | - | - | - | H4 | R2 |

ispXPLD 5768MX Logic Signal Connections (Continued)

| sysIO Bank | LVDS Pair | Primary Macrocell/ Function | Alternate Outputs | | Alternate Inputs | 256 fpBGA Ball Number | 484 fpBGA Ball Number |
|------------|-----------|--------------------------------|-------------------|-------------|---------------------|--------------------------|--------------------------|
| | | | Macrocell 1 | Macrocell 2 | | | |
| - | - | TCK | - | - | - | J6 | T1 |
| - | - | TDO | - | - | - | K2 | V1 |
| 1 | 0P | A30/DATA0 | C0 | A0 | A31 | K3 | W1 |
| 1 | 0N | A28/DATA1 | C1 | A1 | A29 | J3 | Y1 |
| 1 | 1P | A26/DATA2 | C2 | A2 | A27 | J5 | P3 |
| 1 | 1N | A24/DATA3 | C3 | A3 | A25 | J4 | R3 |
| 1 | 2P | A22/DATA4 | C4 | A4 | A23 | L2 | T2 |
| 1 | 2N | A20/DATA5 | C5 | A5 | A21 | M1 | U2 |
| - | - | GND (Bank 1) | - | - | - | GND (Bank 1) | GND (Bank 1) |
| 1 | 3P | A18/DATA6 | C6 | A6 | A19 | K4 | V2 |
| - | - | VCCO1 | - | - | - | VCCO1 | VCCO1 |
| 1 | 3N | A16/DATA7 | C7 | A7 | A17 | L3 | W2 |
| - | - | GND | - | - | - | GND | GND |
| 1 | 4P | A14/INITB | C8 | A8 | A15 | K5 | R4 |
| 1 | 4N | A12/CSB | C9 | A9 | A13 | L5 | T4 |
| 1 | 5P | A10/READ | C10 | A10 | A11 | N1 | R6 |
| 1 | 5N | A8/CCLK | C11 | A11 | A9 | M2 | R5 |
| 1 | 6P | A6 | - | - | A7 | — | U3 |
| - | - | VCC | - | - | - | VCC | VCC |
| 1 | 6N | A4 | - | - | A5 | P1 | V3 |
| 1 | 7P | A2 | - | - | A3 | M3 | Y2 |
| 1 | 7N | A0 | - | - | A1 | L4 | W3 |
| 1 | 8P | B30 | D0 | - | B31 | N2 | U5 |
| 1 | 8N | B28 | D2 | - | B29 | P2 | T5 |
| - | - | GND (Bank 1) | - | - | - | GND (Bank 1) | GND (Bank 1) |
| 1 | 9P | B26 | D4 | - | B27 | R1 | U4 |
| - | - | VCCO1 | - | - | - | VCCO1 | VCCO1 |
| 1 | 9N | B24 | D6 | - | B25 | R2 | V4 |
| 1 | 10P | B22 | D8 | - | B23 | T2 | AA3 |
| 1 | 10N | B20 | D10 | - | B21 | T3 | AB3 |
| 1 | - | B18 | D12 | - | B19 | — | Y4 |
| - | - | DONE | - | - | - | M4 | AA4 |
| 1 | 11P | B14 | - | - | B15 | — | AB2 |
| 1 | 11N | B12 | - | - | B13 | — | U6 |
| - | - | GND (Bank 1) | - | - | - | GND (Bank 1) | GND (Bank 1) |
| 1 | 12P | B10 | - | - | B11 | — | V5 |
| - | - | VCCO1 | - | - | - | VCCO1 | VCCO1 |
| 1 | 12N | B8 | - | - | B9 | — | W6 |
| 1 | 13P | B6 | C12 | A12 | B7 | N3 | AB4 |
| 1 | 13N | B4 | C13 | A13 | B5 | P4 | AB5 |
| 1 | 14P | B2 | C14 | A14 | B3 | N5 | T6 |
| 1 | 14N | B0 | C15 | A15 | B1 | M6 | U7 |
| - | - | PROGRAMB | - | - | - | R3 | W5 |

ispXPLD 5768MX Logic Signal Connections (Continued)

| sysIO Bank | LVDS Pair | Primary Macrocell/ Function | Alternate Outputs | | Alternate Inputs | 256 fpBGA Ball Number | 484 fpBGA Ball Number |
|------------|-----------|--------------------------------|-------------------|-------------|---------------------|--------------------------|--------------------------|
| | | | Macrocell 1 | Macrocell 2 | | | |
| 1 | - | C28 | D14 | - | C29 | P5 | U8 |
| - | - | GND (Bank 1) | - | - | - | GND (Bank 1) | GND (Bank 1) |
| 1 | 15P | C26 | D16 | - | C27 | T4 | V6 |
| - | - | VCCO1 | - | - | - | VCCO1 | VCCO1 |
| 1 | 15N | C24 | D18 | - | C25 | T5 | V7 |
| - | - | GND | - | - | - | GND | GND |
| 1 | 16P | C22 | D20 | - | C23 | R4 | Y5 |
| - | - | VCC | - | - | - | VCC | VCC |
| 1 | 16N | C20 | D22 | - | C21 | N6 | AA5 |
| 1 | 17P | C18 | - | - | C19 | R5 | Y6 |
| 1 | 17N | C16 | - | - | C17 | P6 | Y7 |
| 1 | 18P | C14 | - | - | C15 | - | AA6 |
| 1 | 18N | C12 | - | - | C13 | - | AA7 |
| 1 | 19P | C10 | - | - | C11 | - | W7 |
| 1 | 19N | C8 | - | - | C9 | M7 | V8 |
| 1 | 20P | C6 | - | - | C7 | T6 | W8 |
| 1 | 20N | C4 | - | - | C5 | R6 | U9 |
| - | - | GND (Bank 1) | - | - | - | GND (Bank 1) | GND (Bank 1) |
| - | - | CFG0 | - | - | - | L8 | U10 |
| - | - | VCCO1 | - | - | - | VCCO1 | VCCO1 |
| 1 | 21P | C0 | C16 | A16 | C1 | T7 | AB7 |
| 1 | 21N | D30 | C17 | A17 | D31 | R7 | AA8 |
| 1 | 22P | D28 | C18 | A18 | D29 | N7 | AB8 |
| 1 | 22N | D26 | C19 | A19 | D27 | P7 | AB9 |
| 1 | 23P | D24 | C20 | A20 | D25 | T8 | W9 |
| 1 | 23N | D22 | C21 | A21 | D23 | R8 | Y9 |
| 1 | 24P | D20 | C22 | A22 | D21 | M8 | AB10 |
| 1 | 24N | D18 | C23 | A23 | D19 | P8 | AA10 |
| 1 | - | D16/VREF1 | - | - | D17 | L9 | W10 |
| 1 | 25P | D14 | C24 | A24 | D15 | N8 | Y10 |
| 1 | 25N | D12 | C25 | A25 | D13 | M9 | Y11 |
| - | - | GND (Bank 1) | - | - | - | GND (Bank 1) | GND (Bank 1) |
| 1 | 26P | D10 | C26 | A26 | D11 | N10 | V9 |
| - | - | VCCO1 | - | - | - | VCCO1 | VCCO1 |
| 1 | 26N | D8 | C27 | A27 | D9 | T9 | V10 |
| 1 | 27P | D6 | C28 | A28 | D7 | T10 | AA11 |
| - | - | GND | - | - | - | GND | GND |
| 1 | 27N | D4 | C29 | A29 | D5 | R9 | AB11 |
| - | - | VCC | - | - | - | VCC | VCC |
| 1 | 28P | D2 | C30 | A30 | D3 | P9 | U11 |
| 1 | 28N | D0 | C31 | A31 | D1 | N9 | V11 |
| 2 | 29P | E0 | F0 | H0 | E1 | T11 | AB12 |
| - | - | VCC | - | - | - | VCC | VCC |

ispXPLD 5768MX Logic Signal Connections (Continued)

| sysIO Bank | LVDS Pair | Primary Macrocell/ Function | Alternate Outputs | | Alternate Inputs | 256 fpBGA Ball Number | 484 fpBGA Ball Number |
|------------|-----------|--------------------------------|-------------------|-------------|---------------------|--------------------------|--------------------------|
| | | | Macrocell 1 | Macrocell 2 | | | |
| 2 | 29N | E2 | F1 | H1 | E3 | T12 | AA12 |
| - | - | GND | - | - | - | GND | GND |
| 2 | 30P | E4 | F2 | H2 | E5 | P10 | Y12 |
| 2 | 30N | E6 | F3 | H3 | E7 | R10 | AA13 |
| 2 | 31P | E8 | F4 | H4 | E9 | R11 | V12 |
| - | - | VCCO2 | - | - | - | VCCO2 | VCCO2 |
| 2 | 31N | E10 | F5 | H5 | E11 | M10 | U12 |
| - | - | GND (Bank 2) | - | - | - | GND (Bank 2) | GND (Bank 2) |
| 2 | 32P | E12 | F6 | H6 | E13 | M11 | AB13 |
| 2 | 32N | E14 | F7 | H7 | E15 | T13 | Y13 |
| 2 | 33P | E16 | H0 | - | E17 | P11 | V13 |
| 2 | 33N | E18/VREF2 | H1 | - | E19 | T14 | W13 |
| 2 | 34P | E20 | F8 | H8 | E21 | R12 | V14 |
| 2 | 34N | E22 | F9 | H9 | E23 | R13 | W14 |
| 2 | 35P | E24 | F10 | H10 | E25 | N11 | Y14 |
| 2 | 35N | E26 | F11 | H11 | E27 | T15 | AB14 |
| 2 | 36P | E28 | F12 | H12 | E29 | R14 | AB15 |
| 2 | 36N | E30 | F13 | H13 | E31 | N12 | AA15 |
| 2 | 37P | F0 | F14 | H14 | F1 | P12 | U13 |
| - | - | VCCO2 | - | - | - | VCCO2 | VCCO2 |
| 2 | 37N | F2 | F15 | H15 | F3 | R15 | U14 |
| - | - | GND (Bank 2) | - | - | - | GND (Bank 2) | GND (Bank 2) |
| 2 | 38P | F4 | H2 | E0 | F5 | — | W15 |
| 2 | 38N | F6 | H3 | E2 | F7 | — | W16 |
| 2 | 39P | F8 | H4 | E4 | F9 | — | Y16 |
| 2 | 39N | F10 | H5 | E6 | F11 | — | AA16 |
| 2 | 40P | F12 | H6 | E8 | F13 | — | AB16 |
| 2 | 40N | F14 | H7 | E10 | F15 | — | AA17 |
| 2 | 41P | F16 | H8 | E12 | F17 | — | Y17 |
| 2 | 41N | F18 | H9 | E16 | F19 | — | AA18 |
| 2 | 42P | F20 | H10 | E20 | F21 | — | W17 |
| - | - | VCC | - | - | - | VCC | VCC |
| 2 | 42N | F22 | H11 | E22 | F23 | — | W18 |
| - | - | GND | - | - | - | GND | GND |
| 2 | 43P | F24 | H12 | - | F25 | — | V15 |
| - | - | VCCO2 | - | - | - | VCCO2 | VCCO2 |
| 2 | 43N | F26 | H13 | - | F27 | — | U15 |
| - | - | GND (Bank 2) | - | - | - | GND (Bank 2) | GND (Bank 2) |
| 2 | 44P | F28 | H14 | - | F29 | P13 | Y18 |
| 2 | 44N | F30 | H15 | - | F31 | P15 | V17 |
| 2 | 45P | G0 | H16 | - | G1 | M13 | V16 |
| 2 | 45N | G2 | H17 | - | G3 | P14 | U16 |
| 2 | 46P | G4 | H18 | - | G5 | — | AB18 |

ispXPLD 5768MX Logic Signal Connections (Continued)

| sysIO Bank | LVDS Pair | Primary Macrocell/ Function | Alternate Outputs | | Alternate Inputs | 256 fpBGA Ball Number | 484 fpBGA Ball Number |
|------------|-----------|--------------------------------|-------------------|-------------|---------------------|--|--------------------------|
| | | | Macrocell 1 | Macrocell 2 | | | |
| 2 | 46N | G6 | H19 | - | G7 | — | AB19 |
| 2 | 47P | G8 | H20 | - | G9 | — | AA19 |
| - | - | VCCO2 | - | - | - | VCCO2 | VCCO2 |
| 2 | 47N | G10 | H21 | - | G11 | — | U17 |
| - | - | GND (Bank 2) | - | - | - | GND (Bank 2) | GND (Bank 2) |
| 2 | 48P | G12 | H22 | - | G13 | — | V18 |
| 2 | 48N | G14 | H23 | - | G15 | — | AB21 |
| 2 | 49P | G16 | H24 | - | G17 | — | U18 |
| 2 | 49N | G18 | H25 | - | G19 | — | T17 |
| 2 | 50P | G20 | H26 | - | G21 | R16 | AB20 |
| 2 | 50N | G22 | H27 | - | G23 | P16 | AA20 |
| 2 | 51P | G24 | H28 | - | G25 | N15 | Y19 |
| - | - | VCCO2 | - | - | - | VCCO2 | VCCO2 |
| 2 | 51N | G26 | H29 | - | G27 | N14 | V19 |
| - | - | GND (Bank 2) | - | - | - | GND (Bank 2) | GND (Bank 2) |
| 2 | 52P | G28 | F16 | H16 | G29 | N16 | T18 |
| 2 | 52N | G30 | F17 | H17 | G31 | M16 | R17 |
| 2 | 53P | H0 | F18 | H18 | H1 | M14 | U19 |
| 2 | 53N | H2 | F19 | H19 | H3 | M15 | T19 |
| 2 | 54P | H4 | H30 | E24 | H5 | — | V20 |
| - | - | VCC | - | - | - | VCC | VCC |
| 2 | 54N | H6 | H31 | E26 | H7 | — | U20 |
| 2 | 55P | H8 | F20 | H20 | H9 | L13 | W20 |
| 2 | 55N | H10 | F21 | H21 | H11 | L12 | Y21 |
| 2 | 56P | H12 | F22 | H22 | H13 | L15 | R18 |
| 2 | 56N | H14 | F23 | H23 | H15 | L16 | R19 |
| - | - | GND | - | - | - | GND | GND |
| 2 | 57P | H16 | F24 | H24 | H17 | L14 | W21 |
| - | - | VCCO2 | - | - | - | VCCO2 | VCCO2 |
| 2 | 57N | H18 | F25 | H25 | H19 | K15 | Y22 |
| - | - | GND (Bank 2) | - | - | - | GND (Bank 2) | GND (Bank 2) |
| 2 | 58P | H20 | F26 | H26 | H21 | K14 | R20 |
| 2 | 58N | H22 | F27 | H27 | H23 | K12 | P20 |
| 2 | 59P | H24 | F28 | H28 | H25 | K13 | T21 |
| 2 | 59N | H26 | F29 | H29 | H27 | J13 | R21 |
| 2 | 60P | H28 | F30 | H30 | H29 | J14 | U21 |
| 2 | 60N | H30 | F31 | H31 | H31 | J12 | V21 |
| - | - | TOE | - | - | - | J15 | W22 |
| - | - | RESET | - | - | - | J11 | V22 |
| - | - | GOE0 | - | - | - | H11 | T22 |
| - | - | GOE1 | - | - | - | H13 | R22 |
| - | - | GNDP | - | - | - | See Power Supply and NC Connections Table | |

ispXPLD 5768MX Logic Signal Connections (Continued)

| sysIO Bank | LVDS Pair | Primary Macrocell/ Function | Alternate Outputs | | Alternate Inputs | 256 fpBGA Ball Number | 484 fpBGA Ball Number |
|------------|-----------|--------------------------------|-------------------|-------------|---------------------|--|--------------------------|
| | | | Macrocell 1 | Macrocell 2 | | | |
| - | GCLK3N | GCLK2 | - | - | - | H15 | P16 |
| - | - | VCCP | - | - | - | See Power Supply and NC Connections Table | |
| - | GCLK3P | GCLK3 | - | - | - | H16 | N16 |
| 3 | 61N | J0 | L31 | J31 | - | H14 | J22 |
| 3 | 61P | J2 | L30 | J30 | J3 | G16 | H22 |
| 3 | 62N | J4 | L29 | J29 | J5 | — | N19 |
| 3 | 62P | J6 | L28 | J28 | J7 | — | P15 |
| 3 | 63N | J8 | L27 | J27 | J9 | — | P21 |
| 3 | 63P | J10 | L26 | J26 | J11 | — | N15 |
| - | - | GND (Bank 3) | - | - | - | GND (Bank 3) | GND (Bank 3) |
| 3 | 64N | J12 | L25 | J25 | J13 | — | M15 |
| - | - | VCCO3 | - | - | - | VCCO3 | VCCO3 |
| 3 | 64P | J14 | L24 | J24 | J15 | — | N20 |
| - | - | GND | - | - | - | GND | GND |
| 3 | 65N | J16 | L23 | J23 | J17 | — | P22 |
| 3 | 65P | J18 | L22 | J22 | J19 | — | N21 |
| 3 | 66N | J20 | L21 | J21 | J21 | — | N17 |
| 3 | 66P | J22 | L20 | J20 | J23 | — | M20 |
| 3 | 67N | J24 | L19 | J19 | J25 | — | P17 |
| - | - | VCC | - | - | - | VCC | VCC |
| 3 | 67P | J26 | L18 | J18 | J27 | — | P18 |
| 3 | 68N | J28 | L17 | J17 | J29 | — | M21 |
| 3 | 68P | J30 | L16 | J16 | J31 | — | M17 |
| - | - | GND (Bank 3) | - | - | - | GND (Bank 3) | GND (Bank 3) |
| 3 | 69N | L0 | L15 | J15 | - | — | L20 |
| - | - | VCCO3 | - | - | - | VCCO3 | VCCO3 |
| 3 | 69P | L2 | L14 | J14 | L3 | — | N18 |
| 3 | 70N | L4 | L13 | J13 | L5 | — | L21 |
| 3 | 70P | L6 | L12 | J12 | L7 | — | M18 |
| 3 | 71N | L8 | L11 | J11 | L9 | — | L22 |
| 3 | 71P | L10 | L10 | J10 | L11 | — | L17 |
| 3 | 72N | L12 | L9 | J9 | L13 | — | K22 |
| 3 | 72P | L14 | L8 | J8 | L15 | — | L18 |
| 3 | 73N | L16 | L7 | J7 | L17 | — | K21 |
| 3 | 73P | L18 | L6 | J6 | L19 | — | K18 |
| - | - | GND (Bank 3) | - | - | - | GND (Bank 3) | GND (Bank 3) |
| 3 | 74N | L20 | L5 | J5 | L21 | — | K20 |
| - | - | VCCO3 | - | - | - | VCCO3 | VCCO3 |
| 3 | 74P | L22 | L4 | J4 | L23 | — | K17 |
| 3 | 75N | L24 | L3 | J3 | L25 | — | K19 |
| 3 | 75P | L26 | L2 | J2 | L27 | — | J17 |
| 3 | 76N | L28 | L1 | J1 | L29 | G15 | E22 |

ispXPLD 5768MX Logic Signal Connections (Continued)

| sysIO Bank | LVDS Pair | Primary Macrocell/ Function | Alternate Outputs | | Alternate Inputs | 256 fpBGA Ball Number | 484 fpBGA Ball Number |
|------------|-----------|--------------------------------|-------------------|-------------|---------------------|--------------------------|--------------------------|
| | | | Macrocell 1 | Macrocell 2 | | | |
| 3 | 76P | L30/PLL_FBK1 | L0 | J0 | L31 | F15 | E21 |
| 3 | 77N | M0/PLL_RST1 | P27 | N27 | M1 | H12 | G22 |
| 3 | 77P | M2 | P26 | N26 | M3 | G14 | F21 |
| - | - | GND (Bank 3) | - | - | - | GND (Bank 3) | GND (Bank 3) |
| 3 | 78N | M4 | P25 | N25 | M5 | F16 | H21 |
| - | - | VCCO3 | - | - | - | VCCO3 | VCCO3 |
| 3 | 78P | M6 | P24 | N24 | - | E16 | G21 |
| - | - | GND | - | - | - | GND | GND |
| 3 | 79N | M8 | P23 | N23 | M9 | G13 | D22 |
| 3 | 79P | M10 | P22 | N22 | M11 | G12 | D21 |
| 3 | 80N | M12 | P21 | N21 | M13 | F14 | J20 |
| 3 | 80P | M14/CLK_OUT1 | P20 | N20 | M15 | E15 | J19 |
| 3 | 81N | M16 | N31 | - | M17 | F12 | E20 |
| - | - | VCC | - | - | - | VCC | VCC |
| 3 | 81P | M18 | N30 | M30 | M19 | F13 | F20 |
| 3 | 82N | M20 | N29 | M28 | M21 | D16 | H17 |
| 3 | 82P | M22 | N28 | M26 | M23 | D15 | H18 |
| - | - | GND (Bank 3) | - | - | - | GND (Bank 3) | GND (Bank 3) |
| 3 | 83N | M24 | N27 | - | M25 | — | J18 |
| - | - | VCCO3 | - | - | - | VCCO3 | VCCO3 |
| 3 | 83P | M26 | N26 | - | M27 | — | H19 |
| 3 | 84N | M28 | N25 | - | M29 | — | G20 |
| 3 | 84P | M30 | N24 | - | M31 | — | G19 |
| - | - | GND | - | - | - | GND | GND |
| 3 | 85N | N0 | N23 | - | N1 | — | C22 |
| - | - | VCC | - | - | - | VCC | VCC |
| 3 | 85P | N2 | N22 | - | N3 | — | C21 |
| 3 | 86N | N4 | N21 | - | - | — | D20 |
| 3 | 86P | N6 | N20 | - | - | — | C19 |
| 3 | 87N | N8 | N19 | - | N9 | C16 | F19 |
| 3 | 87P | N10 | N18 | - | N11 | B16 | E19 |
| - | - | GND (Bank 3) | - | - | - | GND (Bank 3) | GND (Bank 3) |
| 3 | 88N | N12 | N17 | - | N13 | C15 | G18 |
| - | - | VCCO3 | - | - | - | VCCO3 | VCCO3 |
| 3 | 88P | N14 | N16 | - | N15 | B15 | F18 |
| 3 | 89N | N16 | N15 | - | N17 | E14 | B20 |
| 3 | 89P | N18 | N14 | - | N19 | D14 | B19 |
| 3 | 90N | N20 | N13 | - | N21 | E13 | A20 |
| 3 | 90P | N22 | N12 | - | N23 | A15 | A19 |
| 3 | 91N | N24 | P19 | N19 | N25 | D12 | D18 |
| 3 | 91P | N26 | P18 | N18 | N27 | B14 | C18 |
| 3 | 92N | N28 | P17 | N17 | N29 | C13 | G17 |
| 3 | 92P | N30 | P16 | N16 | N31 | A14 | F16 |

ispXPLD 5768MX Logic Signal Connections (Continued)

| sysIO Bank | LVDS Pair | Primary Macrocell/ Function | Alternate Outputs | | Alternate Inputs | 256 fpBGA Ball Number | 484 fpBGA Ball Number |
|------------|-----------|--------------------------------|-------------------|-------------|---------------------|--------------------------|--------------------------|
| | | | Macrocell 1 | Macrocell 2 | | | |
| 3 | 93N | O0 | P31 | N31 | O1 | A13 | E17 |
| 3 | 93P | O2 | P30 | N30 | O3 | B13 | D17 |
| - | - | GND (Bank 3) | - | - | - | GND (Bank 3) | GND (Bank 3) |
| 3 | 94N | O4 | N11 | M21 | O5 | D11 | B18 |
| - | - | VCCO3 | - | - | - | VCCO3 | VCCO3 |
| 3 | 94P | O6 | N10 | M20 | O7 | B12 | A18 |
| - | - | GND | - | - | - | GND | GND |
| 3 | 95N | O8 | N9 | M18 | O9 | C12 | C17 |
| - | - | VCC | - | - | - | VCC | VCC |
| 3 | 95P | O10 | N8 | M16 | O11 | E11 | B17 |
| 3 | 96N | O12 | N7 | M12 | O13 | — | C16 |
| 3 | 96P | O14 | N6 | M10 | O15 | — | B16 |
| 3 | 97N | O16 | N5 | M8 | O17 | — | F13 |
| 3 | 97P | O18 | N4 | M6 | O19 | — | F15 |
| 3 | 98N | O20 | N3 | M5 | O21 | — | D16 |
| 3 | 98P | O22 | N2 | M4 | O23 | E10 | E16 |
| 3 | 99N | O24 | N1 | M2 | O25 | A12 | A16 |
| 3 | 99P | O26 | N0 | M0 | O27 | A11 | A15 |
| - | - | GND (Bank 3) | - | - | - | GND (Bank 3) | GND (Bank 3) |
| 3 | 100N | O28 | P15 | N15 | O29 | B11 | B15 |
| - | - | VCCO3 | - | - | - | VCCO3 | VCCO3 |
| 3 | 100P | O30 | P14 | N14 | O31 | C11 | A14 |
| 3 | 101N | P0 | P13 | N13 | P1 | B10 | D15 |
| 3 | 101P | P2 | P12 | N12 | P3 | A10 | E15 |
| 3 | 102N | P4 | P11 | N11 | P5 | C10 | D14 |
| 3 | 102P | P6 | P10 | N10 | P7 | D10 | F14 |
| 3 | 103N | P8 | P9 | N9 | P9 | C9 | A13 |
| 3 | 103P | P10 | P8 | N8 | P11 | E9 | B13 |
| 3 | 104N | P12/VREF3 | P29 | N29 | P13 | D9 | C14 |
| 3 | 104P | P14 | P28 | N28 | P15 | F9 | E14 |
| 3 | 105N | P16 | P7 | N7 | P17 | A9 | E13 |
| 3 | 105P | P18 | P6 | N6 | P19 | F8 | F12 |
| - | - | GND (Bank 3) | - | - | - | GND (Bank 3) | GND (Bank 3) |
| 3 | 106N | P20 | P5 | N5 | P21 | E8 | D13 |
| - | - | VCCO3 | - | - | - | VCCO3 | VCCO3 |
| 3 | 106P | P22 | P4 | N4 | P23 | A8 | C13 |
| 3 | 107N | P24 | P3 | N3 | P25 | B9 | E12 |
| - | - | GND | - | - | - | GND | GND |
| 3 | 107P | P26 | P2 | N2 | P27 | D8 | C12 |
| - | - | VCC | - | - | - | VCC | VCC |
| 3 | 108N | P28 | P1 | N1 | P29 | B8 | B12 |
| 3 | 108P | P30 | P0 | N0 | P31 | C8 | A12 |
| 0 | 109N | Q30 | Q31 | S31 | Q31 | B7 | E11 |

ispXPLD 5768MX Logic Signal Connections (Continued)

| sysIO Bank | LVDS Pair | Primary Macrocell/ Function | Alternate Outputs | | Alternate Inputs | 256 fpBGA Ball Number | 484 fpBGA Ball Number |
|------------|-----------|--------------------------------|-------------------|-------------|---------------------|--------------------------|--------------------------|
| | | | Macrocell 1 | Macrocell 2 | | | |
| - | - | VCC | - | - | - | VCC | VCC |
| 0 | 109P | Q28 | Q30 | S30 | Q29 | A7 | C11 |
| - | - | GND | - | - | - | GND | GND |
| 0 | 110N | Q26 | Q29 | S29 | Q27 | D7 | B11 |
| 0 | 110P | Q24 | Q28 | S28 | Q25 | C7 | A11 |
| 0 | 111N | Q22 | Q27 | S27 | Q23 | B6 | F11 |
| - | - | VCC00 | - | - | - | VCC00 | VCC00 |
| 0 | 111P | Q20 | Q26 | S26 | Q21 | E7 | F10 |
| - | - | GND (Bank 0) | - | - | - | GND (Bank 0) | GND (Bank 0) |
| 0 | 112N | Q18 | Q25 | S25 | Q19 | E6 | E10 |
| 0 | 112P | Q16 | Q24 | S24 | Q17 | A6 | C10 |
| 0 | 113N | Q14/VREF0 | Q3 | S3 | Q15 | A5 | D10 |
| 0 | 113P | Q12 | Q2 | S2 | Q13 | A4 | B10 |
| 0 | 114N | Q10 | Q23 | S23 | Q11 | B5 | A10 |
| 0 | 114P | Q8 | Q22 | S22 | Q9 | A3 | A9 |
| 0 | 115N | Q6 | Q21 | S21 | Q7 | B4 | C9 |
| 0 | 115P | Q4 | Q20 | S20 | Q5 | B3 | D9 |
| 0 | 116N | Q2 | Q19 | S19 | Q3 | C5 | F9 |
| 0 | 116P | Q0 | Q18 | S18 | Q1 | C6 | E9 |
| 0 | 117N | R30 | Q1 | S1 | R31 | D5 | A8 |
| - | - | VCC00 | - | - | - | VCC00 | VCC00 |
| 0 | 117P | R28 | Q0 | S0 | R29 | D6 | B8 |
| - | - | GND (Bank 0) | - | - | - | GND (Bank 0) | GND (Bank 0) |
| 0 | 118N | R26 | S29 | - | R27 | — | A7 |
| 0 | 118P | R24 | S28 | - | R25 | — | B7 |
| 0 | 119N | R22 | S27 | - | R23 | — | A5 |
| 0 | 119P | R20 | S26 | - | R21 | — | B5 |
| 0 | 120N | R18 | S25 | - | R19 | — | B6 |
| 0 | 120P | R16 | S24 | - | R17 | — | C7 |
| 0 | 121N | R14 | S23 | - | R15 | — | E8 |
| 0 | 121P | R12 | S22 | - | R13 | — | E7 |
| 0 | 122N | R10 | S21 | - | R11 | — | E6 |
| - | - | VCC | - | - | - | VCC | VCC |
| 0 | 122P | R8 | S20 | - | R9 | — | D6 |
| - | - | GND | - | - | - | GND | GND |
| 0 | 123N | R6 | S19 | - | R7 | — | D8 |
| - | - | VCC00 | - | - | - | VCC00 | VCC00 |
| 0 | 123P | R4 | S18 | - | R5 | — | F8 |
| - | - | GND (Bank 0) | - | - | - | GND (Bank 0) | GND (Bank 0) |
| 0 | 124N | R2 | S17 | - | R3 | — | F7 |
| 0 | 124P | R0 | S16 | - | R1 | — | D7 |
| 0 | 125N | S30 | S15 | - | S31 | A2 | C6 |
| 0 | 125P | S28 | S14 | - | S29 | B2 | C5 |

ispXPLD 5768MX Logic Signal Connections (Continued)

| sysIO Bank | LVDS Pair | Primary Macrocell/ Function | Alternate Outputs | | Alternate Inputs | 256 fpBGA Ball Number | 484 fpBGA Ball Number |
|------------|-----------|--------------------------------|-------------------|-------------|---------------------|--------------------------|--------------------------|
| | | | Macrocell 1 | Macrocell 2 | | | |
| 0 | 126N | S26 | S13 | - | S27 | — | C4 |
| 0 | 126P | S24 | S12 | - | S25 | — | D5 |

Global Clock LVDS pair options: GCLK0 and GCLK1, as well as GCLK2 and GCLK3, can be paired together to receive differential clocks; where GCLK0 and GCLK3 are the positive LVDS inputs.

SELECT DEVICES DISCONTINUED

ispXPLD 51024MX Logic Signal Connections

| sysIO Bank | LVDS Pair | Primary Macrocell/Function | Alternate Outputs | | Alternate Input | 484 fpBGA Ball Number | 672 fpBGA Ball Number |
|------------|-----------|----------------------------|-------------------|-------------|-----------------|-----------------------|-----------------------|
| | | | Macrocell 1 | Macrocell 2 | | | |
| 0 | 159N | AA22 | AA11 | AB18 | AA23 | B4 | C2 |
| 0 | 159P | AA20 | AA10 | AB16 | AA21 | A4 | C1 |
| 0 | 160N | AA18 | Y17 | AA17 | AA19 | B3 | D4 |
| 0 | 160P | AA16 | Y16 | AA16 | AA17 | A3 | D3 |
| 0 | 161N | AA14 | Y15 | AA15 | AA15 | F5 | D2 |
| - | - | VCCO0 | - | - | - | VCCO0 | VCCO0 |
| 0 | 161P | AA12 | Y14 | AA14 | AA13 | G6 | D1 |
| - | - | GND (Bank 0) | - | - | - | GND (Bank 0) | GND (Bank 0) |
| 0 | 162N | AA10 | Y13 | AA13 | AA11 | H6 | E5 |
| 0 | 162P | AA8 | Y12 | AA12 | AA9 | G5 | E4 |
| 0 | 163N | AA6 | AA9 | AB14 | AA7 | D3 | E3 |
| 0 | 163P | AA4 | AA8 | AB12 | AA5 | D2 | E2 |
| 0 | 164N | AA2 | AA7 | AB10 | AA3 | E4 | E1 |
| - | - | VCC | - | - | - | VCC | VCC |
| 0 | 164P | AA0 | AA6 | AB8 | AA1 | E3 | F2 |
| - | - | GND | - | - | - | GND | GND |
| 0 | 165N | AB30 | AA5 | AB6 | AB31 | F4 | F5 |
| 0 | 165P | AB28 | AA4 | AB4 | AB29 | G4 | G6 |
| 0 | 166N | AB26 | AA3 | AB2 | AB27 | C2 | F4 |
| - | - | VCCO0 | - | - | - | VCCO0 | VCCO0 |
| 0 | 166P | AB24 | AA2 | AB0 | AB25 | C1 | F3 |
| - | - | GND (Bank 0) | - | - | - | GND (Bank 0) | GND (Bank 0) |
| 0 | 167N | AB22 | AA1 | - | AB23 | F3 | F1 |
| 0 | 167P | AB20 | AA0 | - | AB21 | G3 | G1 |
| 0 | 168N | AB18 | AA31 | - | AB19 | H4 | G5 |
| - | - | VCC | - | - | - | VCC | VCC |
| 0 | 168P | AB16 | AA30 | - | AB17 | J4 | G4 |
| 0 | 169N | AB14 | Y11 | AA11 | AB15 | H5 | H7 |
| 0 | 169P | AB12/CLK_OUT0 | Y10 | AA10 | AB13 | J5 | J7 |
| 0 | 170N | AB10 | Y9 | AA9 | AB11 | E2 | G3 |
| 0 | 170P | AB8 | Y8 | AA8 | AB9 | F2 | G2 |
| - | - | GND | - | - | - | GND | GND |
| 0 | 171N | AB6 | Y7 | AA7 | AB7 | D1 | H6 |
| - | - | VCCO0 | - | - | - | VCCO0 | VCCO0 |
| 0 | 171P | AB4 | Y6 | AA6 | AB5 | E1 | J6 |
| - | - | GND (Bank 0) | - | - | - | GND (Bank 0) | GND (Bank 0) |
| 0 | 172N | AB2 | Y5 | AA5 | AB3 | J3 | H5 |
| 0 | 172P | AB0/PLL_RST0 | Y4 | AA4 | AB1 | H2 | H4 |
| 0 | 173N | AC30 | AC31 | AE31 | AC31 | G2 | H3 |
| 0 | 173P | AC28/PLL_FBK0 | AC30 | AE30 | AC29 | G1 | H2 |
| 0 | 174N | AC26 | AC29 | AE29 | AC27 | J6 | H1 |
| 0 | 174P | AC24 | AC28 | AE28 | AC25 | K4 | J1 |

ispXPLD 51024MX Logic Signal Connections (Continued)

| sysIO Bank | LVDS Pair | Primary Macrocell/Function | Alternate Outputs | | Alternate Input | 484 fpBGA Ball Number | 672 fpBGA Ball Number |
|------------|-----------|----------------------------|-------------------|-------------|-----------------|---|-----------------------|
| | | | Macrocell 1 | Macrocell 2 | | | |
| 0 | 175N | AC22 | AC27 | AE27 | AC23 | K6 | J5 |
| - | - | VCCO0 | - | - | - | VCCO0 | VCCO0 |
| 0 | 175P | AC20 | AC26 | AE26 | AC21 | K3 | J4 |
| - | - | GND (Bank 0) | - | - | - | GND (Bank 0) | GND (Bank 0) |
| 0 | 176N | AC18 | AC25 | AE25 | AC19 | K5 | K7 |
| 0 | 176P | AC16 | AC24 | AE24 | AC17 | K2 | L7 |
| 0 | 177N | AC14 | AC23 | AE23 | AC15 | L5 | J3 |
| 0 | 177P | AC12 | AC22 | AE22 | AC13 | K1 | J2 |
| 0 | 178N | AC10 | AC21 | AE21 | AC11 | L6 | K6 |
| 0 | 178P | AC8 | AC20 | AE20 | AC9 | L1 | L6 |
| 0 | 179N | AC6 | AC19 | AE19 | AC7 | M5 | K5 |
| 0 | 179P | AC4 | AC18 | AE18 | AC5 | L2 | K4 |
| 0 | 180N | AC2 | AC17 | AE17 | AC3 | N5 | K3 |
| - | - | VCCO0 | - | - | - | VCCO0 | VCCO0 |
| 0 | 180P | AC0 | AC16 | AE16 | AC1 | L3 | K2 |
| - | - | GND (Bank 0) | - | - | - | GND (Bank 0) | GND (Bank 0) |
| 0 | 181N | AE30 | AC15 | AE15 | AE31 | M6 | K1 |
| 0 | 181P | AE28 | AC14 | AE14 | AE29 | M2 | L2 |
| 0 | 182N | AE26 | AC13 | AE13 | AE27 | P5 | L5 |
| - | - | VCC | - | - | - | VCC | VCC |
| 0 | 182P | AE24 | AC12 | AE12 | AE25 | P6 | L4 |
| 0 | 183N | AE22 | AC11 | AE11 | AE23 | M3 | L3 |
| 0 | 183P | AE20 | AC10 | AE10 | AE21 | N6 | M3 |
| 0 | 184N | AE18 | AC9 | AE9 | AE19 | N2 | M7 |
| 0 | 184P | AE16 | AC8 | AE8 | AE17 | P1 | N7 |
| - | - | GND | - | - | - | GND | GND |
| 0 | 185N | AE14 | AC7 | AE7 | AE15 | N3 | M5 |
| - | - | VCCO0 | - | - | - | VCCO0 | VCCO0 |
| 0 | 185P | AE12 | AC6 | AE6 | AE13 | M8 | M4 |
| - | - | GND (Bank 0) | - | - | - | GND (Bank 0) | GND (Bank 0) |
| 0 | 186N | AE10 | AC5 | AE5 | AE11 | N8 | M6 |
| 0 | 186P | AE8 | AC4 | AE4 | AE9 | P2 | N6 |
| 0 | 187N | AE6 | AC3 | AE3 | AE7 | P8 | M2 |
| 0 | 187P | AE4 | AC2 | AE2 | AE5 | N4 | M1 |
| 0 | 188N | AE2 | AC1 | AE1 | AE3 | H1 | N1 |
| 0 | 188P | AE0 | AC0 | AE0 | AE1 | J1 | N2 |
| - | GCLK0P | GCLK0 | - | - | - | N7 | N5 |
| - | - | VCCJ | - | - | - | See Power Supply and NC Connections Table | |
| - | GCLK0N | GCLK1 | - | - | - | P7 | N3 |
| - | - | GND | - | - | - | GND | GND |
| - | - | TDI | - | - | - | R1 | P4 |
| - | - | TMS | - | - | - | R2 | P5 |

ispXPLD 51024MX Logic Signal Connections (Continued)

| sysIO Bank | LVDS Pair | Primary Macrocell/Function | Alternate Outputs | | Alternate Input | 484 fpBGA Ball Number | 672 fpBGA Ball Number |
|------------|-----------|----------------------------|-------------------|-------------|-----------------|-----------------------|-----------------------|
| | | | Macrocell 1 | Macrocell 2 | | | |
| - | - | TCK | - | - | - | T1 | P3 |
| - | - | TDO | - | - | - | V1 | P2 |
| 1 | 0P | A30 | A0 | C0 | A31 | — | P1 |
| 1 | 0N | A28 | A1 | C1 | A29 | — | R1 |
| 1 | 1P | A26 | A2 | C2 | A27 | — | P6 |
| 1 | 1N | A24 | A3 | C3 | A25 | — | R6 |
| 1 | 2P | A22 | A4 | C4 | A23 | — | P7 |
| 1 | 2N | A20 | A5 | C5 | A21 | — | R7 |
| - | - | GND (Bank 1) | - | - | - | GND (Bank 1) | GND (Bank 1) |
| 1 | 3P | A18 | A6 | C6 | A19 | — | R4 |
| - | - | VCCO1 | - | - | - | VCCO1 | VCCO1 |
| 1 | 3N | A16 | A7 | C7 | A17 | — | R5 |
| - | - | GND | - | - | - | GND | GND |
| 1 | 4P | A14 | A8 | C8 | A15 | — | R3 |
| - | - | VCC | - | - | - | VCC | VCC |
| 1 | 4N | A12 | A9 | C9 | A13 | — | R2 |
| 1 | 5P | A10 | A10 | C10 | A11 | — | T2 |
| 1 | 5N | A8 | A11 | C11 | A9 | — | T3 |
| 1 | 6P | A6 | A12 | C12 | A7 | — | T4 |
| 1 | 6N | A4 | A13 | C13 | A5 | — | T5 |
| 1 | 7P | A2 | A14 | C14 | A3 | — | U2 |
| 1 | 7N | A0 | A15 | C15 | A1 | — | U3 |
| - | - | GND (Bank 1) | - | - | - | GND (Bank 1) | GND (Bank 1) |
| 1 | 8P | C30 | A16 | C16 | C31 | — | U4 |
| - | - | VCCO1 | - | - | - | VCCO1 | VCCO1 |
| 1 | 8N | C28 | A17 | C17 | C29 | — | U5 |
| 1 | 9P | C26 | A18 | C18 | C27 | — | T6 |
| 1 | 9N | C24 | A19 | C19 | C25 | — | U6 |
| 1 | 10P | C22 | A20 | C20 | C23 | — | T7 |
| 1 | 10N | C20 | A21 | C21 | C21 | — | U7 |
| 1 | 11P | C18 | A22 | C22 | C19 | — | U1 |
| 1 | 11N | C16 | A23 | C23 | C17 | — | V1 |
| 1 | 12P | C14 | A24 | C24 | C15 | — | V2 |
| 1 | 12N | C12 | A25 | C25 | C13 | — | V3 |
| - | - | GND (Bank 1) | - | - | - | GND (Bank 1) | GND (Bank 1) |
| 1 | 13P | C10 | A26 | C26 | C11 | — | V5 |
| - | - | VCCO1 | - | - | - | VCCO1 | VCCO1 |
| 1 | 13N | C8 | A27 | C27 | C9 | — | V4 |
| - | - | GND | - | - | - | GND | GND |
| 1 | 14P | C6 | A28 | C28 | C7 | — | W2 |
| - | - | VCC | - | - | - | VCC | VCC |
| 1 | 14N | C4 | A29 | C29 | C5 | — | W3 |
| 1 | 15P | C2 | A30 | C30 | C3 | — | W4 |

ispXPLD 51024MX Logic Signal Connections (Continued)

| sysIO Bank | LVDS Pair | Primary Macrocell/Function | Alternate Outputs | | Alternate Input | 484 fpBGA Ball Number | 672 fpBGA Ball Number |
|------------|-----------|----------------------------|-------------------|-------------|-----------------|-----------------------|-----------------------|
| | | | Macrocell 1 | Macrocell 2 | | | |
| 1 | 15N | C0 | A31 | C31 | C1 | — | W5 |
| 1 | 16P | E30/DATA0 | G0 | E0 | E31 | W1 | W1 |
| 1 | 16N | E28/DATA1 | G1 | E1 | E29 | Y1 | Y1 |
| 1 | 17P | E26/DATA2 | G2 | E2 | E27 | P3 | V6 |
| 1 | 17N | E24/DATA3 | G3 | E3 | E25 | R3 | W6 |
| 1 | 18P | E22/DATA4 | G4 | E4 | E23 | T2 | Y2 |
| 1 | 18N | E20/DATA5 | G5 | E5 | E21 | U2 | Y3 |
| - | - | GND (Bank 1) | - | - | - | GND (Bank 1) | GND (Bank 1) |
| 1 | 19P | E18/DATA6 | G6 | E6 | E19 | V2 | Y4 |
| - | - | VCCO1 | - | - | - | VCCO1 | VCCO1 |
| 1 | 19N | E16/DATA7 | G7 | E7 | E17 | W2 | Y5 |
| - | - | GND | - | - | - | GND | GND |
| 1 | 20P | E14/INITB | G8 | E8 | E15 | R4 | V7 |
| 1 | 20N | E12/CSB | G9 | E9 | E13 | T4 | W7 |
| 1 | 21P | E10/READ | G10 | E10 | E11 | R6 | AA1 |
| 1 | 21N | E8/CCLK | G11 | E11 | E9 | R5 | AA2 |
| 1 | 22P | E6 | - | - | E7 | U3 | AA3 |
| - | - | VCC | - | - | - | VCC | VCC |
| 1 | 22N | E4 | - | - | E5 | V3 | AA4 |
| 1 | 23P | E2 | - | - | E3 | Y2 | Y6 |
| 1 | 23N | E0 | - | - | E1 | W3 | AA5 |
| 1 | 24P | F30 | H0 | - | F31 | U5 | AB2 |
| 1 | 24N | F28 | H2 | - | F29 | T5 | AB3 |
| - | - | GND (Bank 1) | - | - | - | GND (Bank 1) | GND (Bank 1) |
| 1 | 25P | F26 | H4 | - | F27 | U4 | AB4 |
| - | - | VCCO1 | - | - | - | VCCO1 | VCCO1 |
| 1 | 25N | F24 | H6 | - | F25 | V4 | AB5 |
| 1 | 26P | F22 | H8 | - | F23 | AA3 | AB1 |
| 1 | 26N | F20 | H10 | - | F21 | AB3 | AC2 |
| 1 | - | F18 | H12 | - | F19 | Y4 | AC3 |
| - | - | DONE | - | - | - | AA4 | AC4 |
| 1 | 27P | F14 | - | - | F15 | AB2 | AC1 |
| 1 | 27N | F12 | - | - | F13 | U6 | AD1 |
| - | - | GND (Bank 1) | - | - | - | GND (Bank 1) | GND (Bank 1) |
| 1 | 28P | F10 | - | - | F11 | V5 | AD2 |
| - | - | VCCO1 | - | - | - | VCCO1 | VCCO1 |
| 1 | 28N | F8 | - | - | F9 | W6 | AD3 |
| 1 | 29P | F6 | G12 | E12 | F7 | AB4 | Y8 |
| 1 | 29N | F4 | G13 | E13 | F5 | AB5 | Y9 |
| 1 | 30P | F2 | G14 | E14 | F3 | T6 | AA8 |
| 1 | 30N | F0 | G15 | E15 | F1 | U7 | AA9 |
| - | - | PROGRAMB | - | - | - | W5 | AB8 |
| 1 | - | G28 | H14 | - | G29 | U8 | AB9 |

ispXPLD 51024MX Logic Signal Connections (Continued)

| sysIO Bank | LVDS Pair | Primary Macrocell/Function | Alternate Outputs | | Alternate Input | 484 fpBGA Ball Number | 672 fpBGA Ball Number |
|------------|-----------|----------------------------|-------------------|-------------|-----------------|-----------------------|-----------------------|
| | | | Macrocell 1 | Macrocell 2 | | | |
| - | - | GND (Bank 1) | - | - | - | GND (Bank 1) | GND (Bank 1) |
| 1 | 31P | G26 | H16 | - | G27 | V6 | AB7 |
| - | - | VCCO1 | - | - | - | VCCO1 | VCCO1 |
| 1 | 31N | G24 | H18 | - | G25 | V7 | AC7 |
| - | - | GND | - | - | - | GND | GND |
| 1 | 32P | G22 | H20 | - | G23 | Y5 | AB6 |
| - | - | VCC | - | - | - | VCC | VCC |
| 1 | 32N | G20 | H22 | - | G21 | AA5 | AC6 |
| 1 | 33P | G18 | - | - | G19 | Y6 | AC8 |
| 1 | 33N | G16 | - | - | G17 | Y7 | AC9 |
| 1 | 34P | G14 | - | - | G15 | AA6 | AC5 |
| 1 | 34N | G12 | - | - | G13 | AA7 | AD4 |
| 1 | 35P | G10 | - | - | G11 | W7 | AD5 |
| 1 | 35N | G8 | - | - | G9 | V8 | AD6 |
| 1 | 36P | G6 | - | - | G7 | W8 | AD7 |
| 1 | 36N | G4 | - | - | G5 | U9 | AD8 |
| - | - | GND (Bank 1) | - | - | - | GND (Bank 1) | GND (Bank 1) |
| - | - | CFG0 | - | - | - | U10 | AE3 |
| - | - | VCCO1 | - | - | - | VCCO1 | VCCO1 |
| 1 | 37P | G0 | G16 | E16 | G1 | AB7 | AD9 |
| 1 | 37N | H30 | G17 | E17 | H31 | AA8 | AD10 |
| 1 | 38P | H28 | G18 | E18 | H29 | AB8 | AE4 |
| 1 | 38N | H26 | G19 | E19 | H27 | AB9 | AE5 |
| 1 | 39P | H24 | G20 | E20 | H25 | W9 | AE6 |
| 1 | 39N | H22 | G21 | E21 | H23 | Y9 | AE7 |
| 1 | 40P | H20 | G22 | E22 | H21 | AB10 | AE8 |
| 1 | 40N | H18 | G23 | E23 | H19 | AA10 | AE9 |
| 1 | - | H16/VREF1 | - | - | H17 | W10 | AE10 |
| 1 | 41P | H14 | G24 | E24 | H15 | Y10 | AF3 |
| 1 | 41N | H12 | G25 | E25 | H13 | Y11 | AF4 |
| - | - | GND (Bank 1) | - | - | - | GND (Bank 1) | GND (Bank 1) |
| 1 | 42P | H10 | G26 | E26 | H11 | V9 | AF5 |
| - | - | VCCO1 | - | - | - | VCCO1 | VCCO1 |
| 1 | 42N | H8 | G27 | E27 | H9 | V10 | AF6 |
| 1 | 43P | H6 | G28 | E28 | H7 | AA11 | AF7 |
| - | - | GND | - | - | - | GND | GND |
| 1 | 43N | H4 | G29 | E29 | H5 | AB11 | AF8 |
| - | - | VCC | - | - | - | VCC | VCC |
| 1 | 44P | H2 | G30 | E30 | H3 | U11 | AF9 |
| 1 | 44N | H0 | G31 | E31 | H1 | V11 | AF10 |
| 2 | 45P | I0 | J0 | L0 | I1 | AB12 | AF17 |
| - | - | VCC | - | - | - | VCC | VCC |
| 2 | 45N | I2 | J1 | L1 | I3 | AA12 | AF18 |

ispXPLD 51024MX Logic Signal Connections (Continued)

| sysIO Bank | LVDS Pair | Primary Macrocell/Function | Alternate Outputs | | Alternate Input | 484 fpBGA Ball Number | 672 fpBGA Ball Number |
|------------|-----------|----------------------------|-------------------|-------------|-----------------|-----------------------|-----------------------|
| | | | Macrocell 1 | Macrocell 2 | | | |
| - | - | GND | - | - | - | GND | GND |
| 2 | 46P | I4 | J2 | L2 | I5 | Y12 | AF19 |
| 2 | 46N | I6 | J3 | L3 | I7 | AA13 | AF20 |
| 2 | 47P | I8 | J4 | L4 | I9 | V12 | AF21 |
| - | - | VCCO2 | - | - | - | VCCO2 | VCCO2 |
| 2 | 47N | I10 | J5 | L5 | I11 | U12 | AF22 |
| - | - | GND (Bank 2) | - | - | - | GND (Bank 2) | GND (Bank 2) |
| 2 | 48P | I12 | J6 | L6 | I13 | AB13 | AF23 |
| 2 | 48N | I14 | J7 | L7 | I15 | Y13 | AF24 |
| 2 | 49P | I16 | L0 | - | I17 | V13 | AE17 |
| 2 | 49N | I18/VREF2 | L1 | - | I19 | W13 | AE18 |
| 2 | 50P | I20 | J8 | L8 | I21 | V14 | AE19 |
| 2 | 50N | I22 | J9 | L9 | I23 | W14 | AE20 |
| 2 | 51P | I24 | J10 | L10 | I25 | Y14 | AE21 |
| 2 | 51N | I26 | J11 | L11 | I27 | AB14 | AE22 |
| 2 | 52P | I28 | J12 | L12 | I29 | AB15 | AE23 |
| 2 | 52N | I30 | J13 | L13 | I31 | AA15 | AE24 |
| 2 | 53P | J0 | J14 | L14 | J1 | U13 | AD17 |
| - | - | VCCO2 | - | - | - | VCCO2 | VCCO2 |
| 2 | 53N | J2 | J15 | L15 | J3 | U14 | AD18 |
| - | - | GND (Bank 2) | - | - | - | GND (Bank 2) | GND (Bank 2) |
| 2 | 54P | J4 | L2 | I0 | J5 | W15 | AD19 |
| 2 | 54N | J6 | L3 | I2 | J7 | W16 | AD20 |
| 2 | 55P | J8 | L4 | I4 | J9 | Y16 | AD21 |
| 2 | 55N | J10 | L5 | I6 | J11 | AA16 | AD22 |
| 2 | 56P | J12 | L6 | I8 | J13 | AB16 | AD23 |
| 2 | 56N | J14 | L7 | I10 | J15 | AA17 | AD24 |
| 2 | 57P | J16 | L8 | I12 | J17 | Y17 | AC22 |
| 2 | 57N | J18 | L9 | I16 | J19 | AA18 | AC21 |
| 2 | 58P | J20 | L10 | I20 | J21 | W17 | AC18 |
| - | - | VCC | - | - | - | VCC | VCC |
| 2 | 58N | J22 | L11 | I22 | J23 | W18 | AC19 |
| - | - | GND | - | - | - | GND | GND |
| 2 | 59P | J24 | L12 | - | J25 | V15 | AC20 |
| - | - | VCCO2 | - | - | - | VCCO2 | VCCO2 |
| 2 | 59N | J26 | L13 | - | J27 | U15 | AB21 |
| - | - | GND (Bank 2) | - | - | - | GND (Bank 2) | GND (Bank 2) |
| 2 | 60P | J28 | L14 | - | J29 | Y18 | AB18 |
| 2 | 60N | J30 | L15 | - | J31 | V17 | AB19 |
| 2 | 61P | K0 | L16 | - | K1 | V16 | AB20 |
| 2 | 61N | K2 | L17 | - | K3 | U16 | AA20 |
| 2 | 62P | K4 | L18 | - | K5 | AB18 | AA19 |
| 2 | 62N | K6 | L19 | - | K7 | AB19 | Y19 |

ispXPLD 51024MX Logic Signal Connections (Continued)

| sysIO Bank | LVDS Pair | Primary Macrocell/Function | Alternate Outputs | | Alternate Input | 484 fpBGA Ball Number | 672 fpBGA Ball Number |
|------------|-----------|----------------------------|-------------------|-------------|-----------------|-----------------------|-----------------------|
| | | | Macrocell 1 | Macrocell 2 | | | |
| 2 | 63P | K8 | L20 | - | K9 | AA19 | AA18 |
| - | - | VCCO2 | - | - | - | VCCO2 | VCCO2 |
| 2 | 63N | K10 | L21 | - | K11 | U17 | Y18 |
| - | - | GND (Bank 2) | - | - | - | GND (Bank 2) | GND (Bank 2) |
| 2 | 64P | K12 | L22 | - | K13 | V18 | AD25 |
| 2 | 64N | K14 | L23 | - | K15 | AB21 | AD26 |
| 2 | 65P | K16 | L24 | - | K17 | U18 | AC23 |
| 2 | 65N | K18 | L25 | - | K19 | T17 | AC24 |
| 2 | 66P | K20 | L26 | - | K21 | AB20 | AC25 |
| 2 | 66N | K22 | L27 | - | K23 | AA20 | AC26 |
| 2 | 67P | K24 | L28 | - | K25 | Y19 | AB22 |
| - | - | VCCO2 | - | - | - | VCCO2 | VCCO2 |
| 2 | 67N | K26 | L29 | - | K27 | V19 | AB23 |
| - | - | GND (Bank 2) | - | - | - | GND (Bank 2) | GND (Bank 2) |
| 2 | 68P | K28 | J16 | L16 | K29 | T18 | AB24 |
| 2 | 68N | K30 | J17 | L17 | K31 | R17 | AB25 |
| 2 | 69P | L0 | J18 | L18 | L1 | U19 | AB26 |
| 2 | 69N | L2 | J19 | L19 | L3 | T19 | AA26 |
| 2 | 70P | L4 | L30 | L24 | L5 | V20 | AA22 |
| - | - | VCC | - | - | - | VCC | VCC |
| 2 | 70N | L6 | L31 | L26 | L7 | U20 | Y21 |
| 2 | 71P | L8 | J20 | L20 | L9 | W20 | AA23 |
| 2 | 71N | L10 | J21 | L21 | L11 | Y21 | AA24 |
| 2 | 72P | L12 | J22 | L22 | L13 | R18 | AA25 |
| 2 | 72N | L14 | J23 | L23 | L15 | R19 | Y26 |
| - | - | GND | - | - | - | GND | GND |
| 2 | 73P | L16 | J24 | L24 | L17 | W21 | Y22 |
| - | - | VCCO2 | - | - | - | VCCO2 | VCCO2 |
| 2 | 73N | L18 | J25 | L25 | L19 | Y22 | Y23 |
| - | - | GND (Bank 2) | - | - | - | GND (Bank 2) | GND (Bank 2) |
| 2 | 74P | L20 | J26 | L26 | L21 | R20 | W20 |
| 2 | 74N | L22 | J27 | L27 | L23 | P20 | V20 |
| 2 | 75P | L24 | J28 | L28 | L25 | T21 | W21 |
| 2 | 75N | L26 | J29 | L29 | L27 | R21 | V21 |
| 2 | 76P | L28 | J30 | L30 | L29 | U21 | Y24 |
| 2 | 76N | L30 | J31 | L31 | L31 | V21 | Y25 |
| 2 | 77P | N0 | P0 | N0 | N1 | — | W22 |
| 2 | 77N | N2 | P1 | N1 | N3 | — | W23 |
| 2 | 78P | N4 | P2 | N2 | N5 | — | W24 |
| - | - | VCC | - | - | - | VCC | VCC |
| 2 | 78N | N6 | P3 | N3 | N7 | — | W25 |
| - | - | GND | - | - | - | GND | GND |
| 2 | 79P | N8 | P4 | N4 | N9 | — | W26 |

ispXPLD 51024MX Logic Signal Connections (Continued)

| sysIO Bank | LVDS Pair | Primary Macrocell/Function | Alternate Outputs | | Alternate Input | 484 fpBGA Ball Number | 672 fpBGA Ball Number |
|------------|-----------|----------------------------|-------------------|-------------|-----------------|---|-----------------------|
| | | | Macrocell 1 | Macrocell 2 | | | |
| - | - | VCCO2 | - | - | - | VCCO2 | VCCO2 |
| 2 | 79N | N10 | P5 | N5 | N11 | — | V26 |
| - | - | GND (Bank 2) | - | - | - | GND (Bank 2) | GND (Bank 2) |
| 2 | 80P | N12 | P6 | N6 | N13 | — | V22 |
| 2 | 80N | N14 | P7 | N7 | N15 | — | V23 |
| 2 | 81P | N16 | P8 | N8 | N17 | — | V24 |
| 2 | 81N | N18 | P9 | N9 | N19 | — | V25 |
| 2 | 82P | N20 | P10 | N10 | N21 | — | U20 |
| 2 | 82N | N22 | P11 | N11 | N23 | — | T20 |
| 2 | 83P | N24 | P12 | N12 | N25 | — | U26 |
| 2 | 83N | N26 | P13 | N13 | N27 | — | U25 |
| 2 | 84P | N28 | P14 | N14 | N29 | — | U21 |
| - | - | VCCO2 | - | - | - | VCCO2 | VCCO2 |
| 2 | 84N | N30 | P15 | N15 | N31 | — | T21 |
| - | - | GND (Bank 2) | - | - | - | GND (Bank 2) | GND (Bank 2) |
| 2 | 85P | P0 | P16 | N16 | P1 | — | U22 |
| 2 | 85N | P2 | P17 | N17 | P3 | — | U23 |
| 2 | 86P | P4 | P18 | N18 | P5 | — | U24 |
| 2 | 86N | P6 | P19 | N19 | P7 | — | T24 |
| 2 | 87P | P8 | P20 | N20 | P9 | — | T23 |
| 2 | 87N | P10 | P21 | N21 | P11 | — | T22 |
| 2 | 88P | P12 | P22 | N22 | P13 | — | T25 |
| - | - | VCC | - | - | - | VCC | VCC |
| 2 | 88N | P14 | P23 | N23 | P15 | — | R26 |
| - | - | GND | - | - | - | GND | GND |
| 2 | 89P | P16 | P24 | N24 | P17 | — | R25 |
| - | - | VCCO2 | - | - | - | VCCO2 | VCCO2 |
| 2 | 89N | P18 | P25 | N25 | P19 | — | R24 |
| - | - | GND (Bank 2) | - | - | - | GND (Bank 2) | GND (Bank 2) |
| 2 | 90P | P20 | P26 | N26 | P21 | — | R21 |
| 2 | 90N | P22 | P27 | N27 | P23 | — | P21 |
| 2 | 91P | P24 | P28 | N28 | P25 | — | R22 |
| 2 | 91N | P26 | P29 | N29 | P27 | — | R23 |
| 2 | 92P | P28 | P30 | N30 | P29 | — | R20 |
| 2 | 92N | P30 | P31 | N31 | P31 | — | P20 |
| - | - | TOE | - | - | - | W22 | P25 |
| - | - | RESET | - | - | - | V22 | P24 |
| - | - | GOE0 | - | - | - | T22 | P23 |
| - | - | GOE1 | - | - | - | R22 | P22 |
| - | - | GNDP | - | - | - | See Power Supply and NC Connections Table | |
| - | GCLK3N | GCLK2 | - | - | - | P16 | N26 |
| - | - | VCCP | - | - | - | See Power Supply and NC Connections Table | |

ispXPLD 51024MX Logic Signal Connections (Continued)

| sysIO Bank | LVDS Pair | Primary Macrocell/Function | Alternate Outputs | | Alternate Input | 484 fpBGA Ball Number | 672 fpBGA Ball Number |
|------------|-----------|----------------------------|-------------------|-------------|-----------------|-----------------------|-----------------------|
| | | | Macrocell 1 | Macrocell 2 | | | |
| - | GCLK3P | GCLK3 | - | - | - | N16 | N24 |
| 3 | 93N | R0 | T31 | R31 | R1 | J22 | N23 |
| 3 | 93P | R2 | T30 | R30 | R3 | H22 | N22 |
| 3 | 94N | R4 | T29 | R29 | R5 | N19 | M26 |
| 3 | 94P | R6 | T28 | R28 | R7 | P15 | M25 |
| 3 | 95N | R8 | T27 | R27 | R9 | P21 | M23 |
| 3 | 95P | R10 | T26 | R26 | R11 | N15 | M22 |
| - | - | GND (Bank 3) | - | - | - | GND (Bank 3) | GND (Bank 3) |
| 3 | 96N | R12 | T25 | R25 | R13 | M15 | N20 |
| - | - | VCCO3 | - | - | - | VCCO3 | VCCO3 |
| 3 | 96P | R14 | T24 | R24 | R15 | N20 | M20 |
| - | - | GND | - | - | - | GND | GND |
| 3 | 97N | R16 | T23 | R23 | R17 | P22 | N21 |
| 3 | 97P | R18 | T22 | R22 | R19 | N21 | M21 |
| 3 | 98N | R20 | T21 | R21 | R21 | N17 | M24 |
| 3 | 98P | R22 | T20 | R20 | R23 | M20 | L24 |
| 3 | 99N | R24 | T19 | R19 | R25 | P17 | L23 |
| - | - | VCC | - | - | - | VCC | VCC |
| 3 | 99P | R26 | T18 | R18 | R27 | P18 | L22 |
| 3 | 100N | R28 | T17 | R17 | R29 | M21 | L25 |
| 3 | 100P | R30 | T16 | R16 | R31 | M17 | K26 |
| - | - | GND (Bank 3) | - | - | - | GND (Bank 3) | GND (Bank 3) |
| 3 | 101N | T0 | T15 | R15 | T1 | L20 | K25 |
| - | - | VCCO3 | - | - | - | VCCO3 | VCCO3 |
| 3 | 101P | T2 | T14 | R14 | T3 | N18 | K24 |
| 3 | 102N | T4 | T13 | R13 | T5 | L21 | K23 |
| 3 | 102P | T6 | T12 | R12 | T7 | M18 | K22 |
| 3 | 103N | T8 | T11 | R11 | T9 | L22 | J25 |
| 3 | 103P | T10 | T10 | R10 | T11 | L17 | J24 |
| 3 | 104N | T12 | T9 | R9 | T13 | K22 | L21 |
| 3 | 104P | T14 | T8 | R8 | T15 | L18 | K21 |
| 3 | 105N | T16 | T7 | R7 | T17 | K21 | L20 |
| 3 | 105P | T18 | T6 | R6 | T19 | K18 | K20 |
| - | - | GND (Bank 3) | - | - | - | GND (Bank 3) | GND (Bank 3) |
| 3 | 106N | T20 | T5 | R5 | T21 | K20 | J23 |
| - | - | VCCO3 | - | - | - | VCCO3 | VCCO3 |
| 3 | 106P | T22 | T4 | R4 | T23 | K17 | J22 |
| 3 | 107N | T24 | T3 | R3 | T25 | K19 | J26 |
| 3 | 107P | T26 | T2 | R2 | T27 | J17 | H26 |
| 3 | 108N | T28 | T1 | R1 | T29 | E22 | H25 |
| 3 | 108P | T30/PLL_FBK1 | T0 | R0 | T31 | E21 | H24 |
| 3 | 109N | U0/PLL_RST1 | X27 | V27 | U1 | G22 | H23 |
| 3 | 109P | U2 | X26 | V26 | U3 | F21 | H22 |

ispXPLD 51024MX Logic Signal Connections (Continued)

| sysIO Bank | LVDS Pair | Primary Macrocell/Function | Alternate Outputs | | Alternate Input | 484 fpBGA Ball Number | 672 fpBGA Ball Number |
|------------|-----------|----------------------------|-------------------|-------------|-----------------|-----------------------|-----------------------|
| | | | Macrocell 1 | Macrocell 2 | | | |
| - | - | GND (Bank 3) | - | - | - | GND (Bank 3) | GND (Bank 3) |
| 3 | 110N | U4 | X25 | V25 | U5 | H21 | J21 |
| - | - | VCCO3 | - | - | - | VCCO3 | VCCO3 |
| 3 | 110P | U6 | X24 | V24 | U7 | G21 | H21 |
| - | - | GND | - | - | - | GND | GND |
| 3 | 111N | U8 | X23 | V23 | U9 | D22 | G25 |
| 3 | 111P | U10 | X22 | V22 | U11 | D21 | G24 |
| 3 | 112N | U12 | X21 | V21 | U13 | J20 | G23 |
| 3 | 112P | U14/CLK_OUT1 | X20 | V20 | U15 | J19 | G22 |
| 3 | 113N | U16 | V31 | - | U17 | E20 | J20 |
| - | - | VCC | - | - | - | VCC | VCC |
| 3 | 113P | U18 | V30 | U30 | U19 | F20 | H20 |
| 3 | 114N | U20 | V29 | U28 | U21 | H17 | G26 |
| 3 | 114P | U22 | V28 | U26 | U23 | H18 | F25 |
| - | - | GND (Bank 3) | - | - | - | GND (Bank 3) | GND (Bank 3) |
| 3 | 115N | U24 | V27 | - | U25 | J18 | F24 |
| - | - | VCCO3 | - | - | - | VCCO3 | VCCO3 |
| 3 | 115P | U26 | V26 | - | U27 | H19 | F23 |
| 3 | 116N | U28 | V25 | - | U29 | G20 | G21 |
| 3 | 116P | U30 | V24 | - | U31 | G19 | F22 |
| - | - | GND | - | - | - | GND | GND |
| 3 | 117N | V0 | V23 | - | V1 | C22 | F26 |
| - | - | VCC | - | - | - | VCC | VCC |
| 3 | 117P | V2 | V22 | - | V3 | C21 | E26 |
| 3 | 118N | V4 | V21 | - | V5 | D20 | E25 |
| 3 | 118P | V6 | V20 | - | V7 | C19 | E24 |
| 3 | 119N | V8 | V19 | - | V9 | F19 | E23 |
| 3 | 119P | V10 | V18 | - | V11 | E19 | E22 |
| - | - | GND (Bank 3) | - | - | - | GND (Bank 3) | GND (Bank 3) |
| 3 | 120N | V12 | V17 | - | V13 | G18 | D26 |
| - | - | VCCO3 | - | - | - | VCCO3 | VCCO3 |
| 3 | 120P | V14 | V16 | - | V15 | F18 | D25 |
| 3 | 121N | V16 | V15 | - | V17 | B20 | D24 |
| 3 | 121P | V18 | V14 | - | V19 | B19 | D23 |
| 3 | 122N | V20 | V13 | - | V21 | A20 | C26 |
| 3 | 122P | V22 | V12 | - | V23 | A19 | C25 |
| 3 | 123N | V24 | X19 | V19 | V25 | D18 | G19 |
| 3 | 123P | V26 | X18 | V18 | V27 | C18 | F19 |
| 3 | 124N | V28 | X17 | V17 | V29 | G17 | G18 |
| 3 | 124P | V30 | X16 | V16 | V31 | F16 | F18 |
| 3 | 125N | W0 | X31 | V31 | W1 | E17 | F20 |
| 3 | 125P | W2 | X30 | V30 | W3 | D17 | E20 |
| - | - | GND (Bank 3) | - | - | - | GND (Bank 3) | GND (Bank 3) |

ispXPLD 51024MX Logic Signal Connections (Continued)

| sysIO Bank | LVDS Pair | Primary Macrocell/Function | Alternate Outputs | | Alternate Input | 484 fpBGA Ball Number | 672 fpBGA Ball Number |
|------------|-----------|----------------------------|-------------------|-------------|-----------------|-----------------------|-----------------------|
| | | | Macrocell 1 | Macrocell 2 | | | |
| 3 | 126N | W4 | V11 | U21 | W5 | B18 | E19 |
| - | - | VCCO3 | - | - | - | VCCO3 | VCCO3 |
| 3 | 126P | W6 | V10 | U20 | W7 | A18 | E18 |
| - | - | GND | - | - | - | GND | GND |
| 3 | 127N | W8 | V9 | U18 | W9 | C17 | C24 |
| - | - | VCC | - | - | - | VCC | VCC |
| 3 | 127P | W10 | V8 | U16 | W11 | B17 | C23 |
| 3 | 128N | W12 | V7 | U12 | W13 | C16 | D22 |
| 3 | 128P | W14 | V6 | U10 | W15 | B16 | D21 |
| 3 | 129N | W16 | V5 | U8 | W17 | F13 | E21 |
| 3 | 129P | W18 | V4 | U6 | W19 | F15 | D20 |
| 3 | 130N | W20 | V3 | U5 | W21 | D16 | D19 |
| 3 | 130P | W22 | V2 | U4 | W23 | E16 | D18 |
| 3 | 131N | W24 | V1 | U2 | W25 | A16 | C22 |
| 3 | 131P | W26 | V0 | U0 | W27 | A15 | C21 |
| - | - | GND (Bank 3) | - | - | - | GND (Bank 3) | GND (Bank 3) |
| 3 | 132N | W28 | X15 | V15 | W29 | B15 | C20 |
| - | - | VCCO3 | - | - | - | VCCO3 | VCCO3 |
| 3 | 132P | W30 | X14 | V14 | W31 | A14 | C19 |
| 3 | 133N | X0 | X13 | V13 | X1 | D15 | C18 |
| 3 | 133P | X2 | X12 | V12 | X3 | E15 | C17 |
| 3 | 134N | X4 | X11 | V11 | X5 | D14 | B24 |
| 3 | 134P | X6 | X10 | V10 | X7 | F14 | B23 |
| 3 | 135N | X8 | X9 | V9 | X9 | A13 | B22 |
| 3 | 135P | X10 | X8 | V8 | X11 | B13 | B21 |
| 3 | 136N | X12/VREF3 | X29 | V29 | X13 | C14 | B20 |
| 3 | 136P | X14 | X28 | V28 | X15 | E14 | B19 |
| 3 | 137N | X16 | X7 | V7 | X17 | E13 | B18 |
| 3 | 137P | X18 | X6 | V6 | X19 | F12 | B17 |
| - | - | GND (Bank 3) | - | - | - | GND (Bank 3) | GND (Bank 3) |
| 3 | 138N | X20 | X5 | V5 | X21 | D13 | A24 |
| - | - | VCCO3 | - | - | - | VCCO3 | VCCO3 |
| 3 | 138P | X22 | X4 | V4 | X23 | C13 | A23 |
| 3 | 139N | X24 | X3 | V3 | X25 | E12 | A22 |
| - | - | GND | - | - | - | GND | GND |
| 3 | 139P | X26 | X2 | V2 | X27 | C12 | A21 |
| - | - | VCC | - | - | - | VCC | VCC |
| 3 | 140N | X28 | X1 | V1 | X29 | B12 | A20 |
| 3 | 140P | X30 | X0 | V0 | X31 | A12 | A19 |
| 0 | 141N | Y30 | Y31 | AA31 | Y31 | E11 | A18 |
| - | - | VCC | - | - | - | VCC | VCC |
| 0 | 141P | Y28 | Y30 | AA30 | Y29 | C11 | A17 |
| - | - | GND | - | - | - | GND | GND |

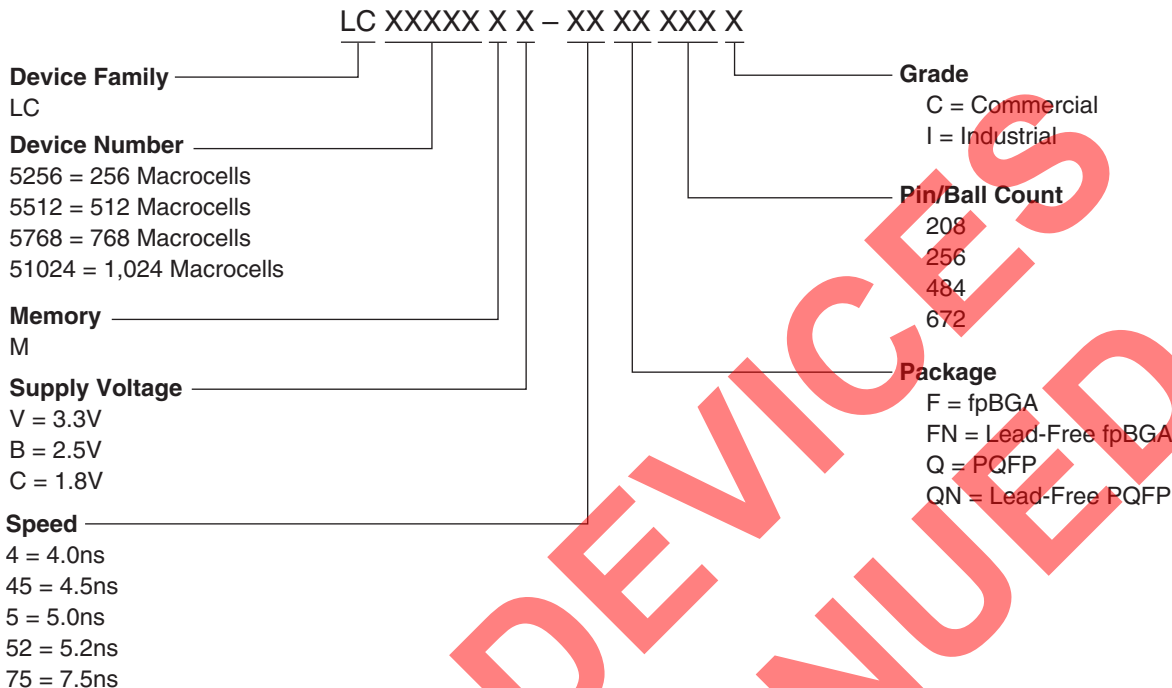
ispXPLD 51024MX Logic Signal Connections (Continued)

| sysIO Bank | LVDS Pair | Primary Macrocell/Function | Alternate Outputs | | Alternate Input | 484 fpBGA Ball Number | 672 fpBGA Ball Number |
|------------|-----------|----------------------------|-------------------|-------------|-----------------|-----------------------|-----------------------|
| | | | Macrocell 1 | Macrocell 2 | | | |
| 0 | 142N | Y26 | Y29 | AA29 | Y27 | B11 | A10 |
| 0 | 142P | Y24 | Y28 | AA28 | Y25 | A11 | A9 |
| 0 | 143N | Y22 | Y27 | AA27 | Y23 | F11 | A8 |
| - | - | VCCO0 | - | - | - | VCCO0 | VCCO0 |
| 0 | 143P | Y20 | Y26 | AA26 | Y21 | F10 | A7 |
| - | - | GND (Bank 0) | - | - | - | GND (Bank 0) | GND (Bank 0) |
| 0 | 144N | Y18 | Y25 | AA25 | Y19 | E10 | A6 |
| 0 | 144P | Y16 | Y24 | AA24 | Y17 | C10 | A5 |
| 0 | 145N | Y14/VREF0 | Y3 | AA3 | Y15 | D10 | A4 |
| 0 | 145P | Y12 | Y2 | AA2 | Y13 | B10 | A3 |
| 0 | 146N | Y10 | Y23 | AA23 | Y11 | A10 | B10 |
| 0 | 146P | Y8 | Y22 | AA22 | Y9 | A9 | B9 |
| 0 | 147N | Y6 | Y21 | AA21 | Y7 | C9 | B8 |
| 0 | 147P | Y4 | Y20 | AA20 | Y5 | D9 | B7 |
| 0 | 148N | Y2 | Y19 | AA19 | Y3 | F9 | B6 |
| 0 | 148P | Y0 | Y18 | AA18 | Y1 | E9 | B5 |
| 0 | 149N | Z30 | Y1 | AA1 | Z31 | A8 | B4 |
| - | - | VCCO0 | - | - | - | VCCO0 | VCCO0 |
| 0 | 149P | Z28 | Y0 | AA0 | Z29 | B8 | B3 |
| - | - | GND (Bank 0) | - | - | - | GND (Bank 0) | GND (Bank 0) |
| 0 | 150N | Z26 | AA29 | - | Z27 | A7 | C10 |
| 0 | 150P | Z24 | AA28 | - | Z25 | B7 | C9 |
| 0 | 151N | Z22 | AA27 | - | Z23 | A5 | C8 |
| 0 | 151P | Z20 | AA26 | - | Z21 | B5 | C7 |
| 0 | 152N | Z18 | AA25 | - | Z19 | B6 | C6 |
| 0 | 152P | Z16 | AA24 | - | Z17 | C7 | C5 |
| 0 | 153N | Z14 | AA23 | - | Z15 | E8 | C4 |
| 0 | 153P | Z12 | AA22 | - | Z13 | E7 | D5 |
| 0 | 154N | Z10 | AA21 | - | Z11 | E6 | D9 |
| - | - | VCC | - | - | - | VCC | VCC |
| 0 | 154P | Z8 | AA20 | - | Z9 | D6 | D8 |
| - | - | GND | - | - | - | GND | GND |
| 0 | 155N | Z6 | AA19 | - | Z7 | D8 | D7 |
| - | - | VCCO0 | - | - | - | VCCO0 | VCCO0 |
| 0 | 155P | Z4 | AA18 | - | Z5 | F8 | D6 |
| - | - | GND (Bank 0) | - | - | - | GND (Bank 0) | GND (Bank 0) |
| 0 | 156N | Z2 | AA17 | - | Z3 | F7 | F9 |
| 0 | 156P | Z0 | AA16 | - | Z1 | D7 | E9 |
| 0 | 157N | AA30 | AA15 | - | AA31 | C6 | F7 |
| 0 | 157P | AA28 | AA14 | - | AA29 | C5 | F8 |
| 0 | 158N | AA26 | AA13 | - | AA27 | C4 | G8 |
| 0 | 158P | AA24 | AA12 | - | AA25 | D5 | G9 |

Global Clock LVDS pair options: GCLK0 and GCLK1, as well as GCLK2 and GCLK3, can be paired together to receive differential clocks; where GCLK0 and GCLK3 are the positive LVDS inputs.

**SELECT DEVICES
DISCONTINUED**

Part Number Description



Ordering Information

Note: For voltage families offered in industrial temperature grades and for all but the slowest commercial speed grade, the speed grades on these devices are dual marked. For example, the commercial speed grade -45XXXXC is also marked with the industrial grade -75I. The commercial grade is always one speed grade faster than the associated dual mark industrial grade. The slowest commercial speed grade is marked as commercial grade only. In addition, the fastest commercial speed grade (-5) for the LC5768MB/MV devices, at Lattice's discretion, will utilize either a commercial grade only single-mark or a dual-mark format in conjunction with the slower industrial speed grade (-75).

Conventional Packaging

ispXPLD 5000MC (1.8V) Commercial Devices

| Device | Part Number | Macrocells | Voltage (V) | t _{PD} (ns) | Package | Pin/Ball Count | I/O | Grade |
|----------|------------------|------------|-------------|----------------------|---------|----------------|-----|-------|
| LC5256MC | LC5256MC-4F256C | 256 | 1.8 | 4.0 | fpBGA | 256 | 141 | C |
| | LC5256MC-5F256C | 256 | 1.8 | 5.0 | fpBGA | 256 | 141 | C |
| | LC5256MC-75F256C | 256 | 1.8 | 7.5 | fpBGA | 256 | 141 | C |
| LC5512MC | LC5512MC-45Q208C | 512 | 1.8 | 4.5 | PQFP | 208 | 149 | C |
| | LC5512MC-75Q208C | 512 | 1.8 | 7.5 | PQFP | 208 | 149 | C |
| | LC5512MC-45F256C | 512 | 1.8 | 4.5 | fpBGA | 256 | 193 | C |
| | LC5512MC-75F256C | 512 | 1.8 | 7.5 | fpBGA | 256 | 193 | C |
| | LC5512MC-45F484C | 512 | 1.8 | 4.5 | fpBGA | 484 | 253 | C |
| | LC5512MC-75F484C | 512 | 1.8 | 7.5 | fpBGA | 484 | 253 | C |

ispXPLD 5000MC (1.8V) Commercial Devices (Continued)

| Device | Part Number | Macrocells | Voltage (V) | t _{PD} (ns) | Package | Pin/Ball Count | I/O | Grade |
|-----------|-------------------|------------|-------------|----------------------|---------|----------------|-----|-------|
| LC5768MC | LC5768MC-5F256C | 768 | 1.8 | 5.0 | fpBGA | 256 | 193 | C |
| | LC5768MC-75F256C | 768 | 1.8 | 7.5 | fpBGA | 256 | 193 | C |
| | LC5768MC-5F484C | 768 | 1.8 | 5.0 | fpBGA | 484 | 317 | C |
| | LC5768MC-75F484C | 768 | 1.8 | 7.5 | fpBGA | 484 | 317 | C |
| LC51024MC | LC51024MC-52F484C | 1024 | 1.8 | 5.2 | fpBGA | 484 | 317 | C |
| | LC51024MC-75F484C | 1024 | 1.8 | 7.5 | fpBGA | 484 | 317 | C |
| | LC51024MC-52F672C | 1024 | 1.8 | 5.2 | fpBGA | 672 | 381 | C |
| | LC51024MC-75F672C | 1024 | 1.8 | 7.5 | fpBGA | 672 | 381 | C |

ispXPLD 5000MC (1.8V) Industrial Devices

| Device | Part Number | Macrocells | Voltage (V) | t _{PD} (ns) | Package | Pin/Ball Count | I/O | Grade |
|-----------|-------------------|------------|-------------|----------------------|---------|----------------|-----|-------|
| LC5256MC | LC5256MC-5F256I | 256 | 1.8 | 5.0 | fpBGA | 256 | 141 | I |
| | LC5256MC-75F256I | 256 | 1.8 | 7.5 | fpBGA | 256 | 141 | I |
| LC5512MC | LC5512MC-75Q208I | 512 | 1.8 | 7.5 | PQFP | 208 | 149 | I |
| | LC5512MC-75F256I | 512 | 1.8 | 7.5 | fpBGA | 256 | 193 | I |
| | LC5512MC-75F484I | 512 | 1.8 | 7.5 | fpBGA | 484 | 253 | I |
| LC5768MC | LC5768MC-75F256I | 768 | 1.8 | 7.5 | fpBGA | 256 | 193 | I |
| | LC5768MC-75F484I | 768 | 1.8 | 7.5 | fpBGA | 484 | 317 | I |
| LC51024MC | LC51024MC-75F484I | 1024 | 1.8 | 7.5 | fpBGA | 484 | 317 | I |
| | LC51024MC-75F672I | 1024 | 1.8 | 7.5 | fpBGA | 672 | 381 | I |

ispXPLD 5000MB (2.5V) Commercial Devices

| Device | Part Number | Macrocells | Voltage (V) | t _{PD} (ns) | Package | Pin/Ball Count | I/O | Grade |
|-----------|-------------------|------------|-------------|----------------------|---------|----------------|-----|-------|
| LC5256MB | LC5256MB-4F256C | 256 | 2.5 | 4.0 | fpBGA | 256 | 141 | C |
| | LC5256MB-5F256C | 256 | 2.5 | 5.0 | fpBGA | 256 | 141 | C |
| | LC5256MB-75F256C | 256 | 2.5 | 7.5 | fpBGA | 256 | 141 | C |
| LC5512MB | LC5512MB-45Q208C | 512 | 2.5 | 4.5 | PQFP | 208 | 149 | C |
| | LC5512MB-75Q208C | 512 | 2.5 | 7.5 | PQFP | 208 | 149 | C |
| | LC5512MB-45F256C | 512 | 2.5 | 4.5 | fpBGA | 256 | 193 | C |
| | LC5512MB-75F256C | 512 | 2.5 | 7.5 | fpBGA | 256 | 193 | C |
| | LC5512MB-45F484C | 512 | 2.5 | 4.5 | fpBGA | 484 | 253 | C |
| | LC5512MB-75F484C | 512 | 2.5 | 7.5 | fpBGA | 484 | 253 | C |
| LC5768MB | LC5768MB-5F256C | 768 | 2.5 | 5.0 | fpBGA | 256 | 193 | C |
| | LC5768MB-75F256C | 768 | 2.5 | 7.5 | fpBGA | 256 | 193 | C |
| | LC5768MB-5F484C | 768 | 2.5 | 5.0 | fpBGA | 484 | 317 | C |
| | LC5768MB-75F484C | 768 | 2.5 | 7.5 | fpBGA | 484 | 317 | C |
| LC51024MB | LC51024MB-52F484C | 1024 | 2.5 | 5.2 | fpBGA | 484 | 317 | C |
| | LC51024MB-75F484C | 1024 | 2.5 | 7.5 | fpBGA | 484 | 317 | C |
| | LC51024MB-52F672C | 1024 | 2.5 | 5.2 | fpBGA | 672 | 381 | C |
| | LC51024MB-75F672C | 1024 | 2.5 | 7.5 | fpBGA | 672 | 381 | C |

ispXPLD 5000MB (2.5V) Industrial Devices

| Device | Part Number | Macrocells | Voltage (V) | t _{PD} (ns) | Package | Pin/Ball Count | I/O | Grade |
|-----------|-------------------|------------|-------------|----------------------|---------|----------------|-----|-------|
| LC5256MB | LC5256MB-5F256I | 256 | 2.5 | 5.0 | fpBGA | 256 | 141 | I |
| | LC5256MB-75F256I | 256 | 2.5 | 7.5 | fpBGA | 256 | 141 | I |
| LC5512MB | LC5512MB-75Q208I | 512 | 2.5 | 7.5 | PQFP | 208 | 149 | I |
| | LC5512MB-75F256I | 512 | 2.5 | 7.5 | fpBGA | 256 | 193 | I |
| | LC5512MB-75F484I | 512 | 2.5 | 7.5 | fpBGA | 484 | 253 | I |
| LC5768MB | LC5768MB-75F256I | 768 | 2.5 | 7.5 | fpBGA | 256 | 193 | I |
| | LC5768MB-75F484I | 768 | 2.5 | 7.5 | fpBGA | 484 | 317 | I |
| LC51024MB | LC51024MB-75F484I | 1024 | 2.5 | 7.5 | fpBGA | 484 | 317 | I |
| | LC51024MB-75F672I | 1024 | 2.5 | 7.5 | fpBGA | 672 | 381 | I |

ispXPLD 5000MV (3.3V) Commercial Devices

| Device | Part Number | Macrocells | Voltage (V) | t _{PD} (ns) | Package | Pin/Ball Count | I/O | Grade |
|-----------|-------------------|------------|-------------|----------------------|---------|----------------|-----|-------|
| LC5256MV | LC5256MV-4F256C | 256 | 3.3 | 4.0 | fpBGA | 256 | 141 | C |
| | LC5256MV-5F256C | 256 | 3.3 | 5.0 | fpBGA | 256 | 141 | C |
| | LC5256MV-75F256C | 256 | 3.3 | 7.5 | fpBGA | 256 | 141 | C |
| LC5512MV | LC5512MV-45Q208C | 512 | 3.3 | 4.5 | PQFP | 208 | 149 | C |
| | LC5512MV-75Q208C | 512 | 3.3 | 7.5 | PQFP | 208 | 149 | C |
| | LC5512MV-45F256C | 512 | 3.3 | 4.5 | fpBGA | 256 | 193 | C |
| | LC5512MV-75F256C | 512 | 3.3 | 7.5 | fpBGA | 256 | 193 | C |
| | LC5512MV-45F484C | 512 | 3.3 | 4.5 | fpBGA | 484 | 253 | C |
| | LC5512MV-75F484C | 512 | 3.3 | 7.5 | fpBGA | 484 | 253 | C |
| LC5768MV | LC5768MV-5F256C | 768 | 3.3 | 5.0 | fpBGA | 256 | 193 | C |
| | LC5768MV-75F256C | 768 | 3.3 | 7.5 | fpBGA | 256 | 193 | C |
| | LC5768MV-5F484C | 768 | 3.3 | 5.0 | fpBGA | 484 | 317 | C |
| | LC5768MV-75F484C | 768 | 3.3 | 7.5 | fpBGA | 484 | 317 | C |
| LC51024MV | LC51024MV-52F484C | 1024 | 3.3 | 5.2 | fpBGA | 484 | 317 | C |
| | LC51024MV-75F484C | 1024 | 3.3 | 7.5 | fpBGA | 484 | 317 | C |
| | LC51024MV-52F672C | 1024 | 3.3 | 5.2 | fpBGA | 672 | 381 | C |
| | LC51024MV-75F672C | 1024 | 3.3 | 7.5 | fpBGA | 672 | 381 | C |

ispXPLD 5000MV (3.3V) Industrial Devices

| Device | Part Number | Macrocells | Voltage (V) | t _{PD} (ns) | Package | Pin/Ball Count | I/O | Grade |
|-----------|-------------------|------------|-------------|----------------------|---------|----------------|-----|-------|
| LC5256MV | LC5256MV-5F256I | 256 | 3.3 | 5.0 | fpBGA | 256 | 141 | I |
| | LC5256MV-75F256I | 256 | 3.3 | 7.5 | fpBGA | 256 | 141 | I |
| LC5512MV | LC5512MV-75Q208I | 512 | 3.3 | 7.5 | PQFP | 208 | 149 | I |
| | LC5512MV-75F256I | 512 | 3.3 | 7.5 | fpBGA | 256 | 193 | I |
| | LC5512MV-75F484I | 512 | 3.3 | 7.5 | fpBGA | 484 | 253 | I |
| LC5768MV | LC5768MV-75F256I | 768 | 3.3 | 7.5 | fpBGA | 256 | 193 | I |
| | LC5768MV-75F484I | 768 | 3.3 | 7.5 | fpBGA | 484 | 317 | I |
| LC51024MV | LC51024MV-75F484I | 1024 | 3.3 | 7.5 | fpBGA | 484 | 317 | I |
| | LC51024MV-75F672I | 1024 | 3.3 | 7.5 | fpBGA | 672 | 381 | I |

Lead-Free Packaging

ispXPLD 5000MC (1.8V) Lead-Free Commercial Devices

| Device | Part Number | Macrocells | Voltage (V) | t _{PD} (ns) | Package | Pin/Ball Count | I/O | Grade |
|-----------|--------------------|------------|-------------|----------------------|-----------------|----------------|-----|-------|
| LC5256MC | LC5256MC-4FN256C | 256 | 1.8 | 4.0 | Lead-free fpBGA | 256 | 141 | C |
| | LC5256MC-5FN256C | 256 | 1.8 | 5.0 | Lead-free fpBGA | 256 | 141 | C |
| | LC5256MC-75FN256C | 256 | 1.8 | 7.5 | Lead-free fpBGA | 256 | 141 | C |
| LC5512MC | LC5512MC-45QN208C | 512 | 1.8 | 4.5 | Lead-free PQFP | 208 | 149 | C |
| | LC5512MC-75QN208C | 512 | 1.8 | 7.5 | Lead-free PQFP | 208 | 149 | C |
| | LC5512MC-45FN256C | 512 | 1.8 | 4.5 | Lead-free fpBGA | 256 | 193 | C |
| | LC5512MC-75FN256C | 512 | 1.8 | 7.5 | Lead-free fpBGA | 256 | 193 | C |
| | LC5512MC-45FN484C | 512 | 1.8 | 4.5 | Lead-free fpBGA | 484 | 253 | C |
| | LC5512MC-75FN484C | 512 | 1.8 | 7.5 | Lead-free fpBGA | 484 | 253 | C |
| LC5768MC | LC5768MC-5FN256C | 768 | 1.8 | 5.0 | Lead-free fpBGA | 256 | 193 | C |
| | LC5768MC-75FN256C | 768 | 1.8 | 7.5 | Lead-free fpBGA | 256 | 193 | C |
| | LC5768MC-5FN484C | 768 | 1.8 | 5.0 | Lead-free fpBGA | 484 | 317 | C |
| | LC5768MC-75FN484C | 768 | 1.8 | 7.5 | Lead-free fpBGA | 484 | 317 | C |
| LC51024MC | LC51024MC-52FN484C | 1024 | 1.8 | 5.2 | Lead-free fpBGA | 484 | 317 | C |
| | LC51024MC-75FN484C | 1024 | 1.8 | 7.5 | Lead-free fpBGA | 484 | 317 | C |
| | LC51024MC-52FN672C | 1024 | 1.8 | 5.2 | Lead-free fpBGA | 672 | 381 | C |
| | LC51024MC-75FN672C | 1024 | 1.8 | 7.5 | Lead-free fpBGA | 672 | 381 | C |

ispXPLD 5000MC (1.8V) Lead-Free Industrial Devices

| Device | Part Number | Macrocells | Voltage (V) | t _{PD} (ns) | Package | Pin/Ball Count | I/O | Grade |
|-----------|--------------------|------------|-------------|----------------------|-----------------|----------------|-----|-------|
| LC5256MC | LC5256MC-5FN256I | 256 | 1.8 | 5.0 | Lead-free fpBGA | 256 | 141 | I |
| | LC5256MC-75FN256I | 256 | 1.8 | 7.5 | Lead-free fpBGA | 256 | 141 | I |
| LC5512MC | LC5512MC-75QN208I | 512 | 1.8 | 7.5 | Lead-free PQFP | 208 | 149 | I |
| | LC5512MC-75FN256I | 512 | 1.8 | 7.5 | Lead-free fpBGA | 256 | 193 | I |
| | LC5512MC-75FN484I | 512 | 1.8 | 7.5 | Lead-free fpBGA | 484 | 253 | I |
| LC5768MC | LC5768MC-75FN256I | 768 | 1.8 | 7.5 | Lead-free fpBGA | 256 | 193 | I |
| | LC5768MC-75FN484I | 768 | 1.8 | 7.5 | Lead-free fpBGA | 484 | 317 | I |
| LC51024MC | LC51024MC-75FN484I | 1024 | 1.8 | 7.5 | Lead-free fpBGA | 484 | 317 | I |
| | LC51024MC-75FN672I | 1024 | 1.8 | 7.5 | Lead-free fpBGA | 672 | 381 | I |

**ispXPLD 5000MB (2.5V) Lead-Free Commercial
Devices**

| Device | Part Number | Macrocells | Voltage (V) | t _{PD} (ns) | Package | Pin/Ball Count | I/O | Grade |
|-----------|--------------------|------------|-------------|----------------------|-----------------|----------------|-----|-------|
| LC5256MB | LC5256MB-4FN256C | 256 | 2.5 | 4.0 | Lead-free fpBGA | 256 | 141 | C |
| | LC5256MB-5FN256C | 256 | 2.5 | 5.0 | Lead-free fpBGA | 256 | 141 | C |
| | LC5256MB-75FN256C | 256 | 2.5 | 7.5 | Lead-free fpBGA | 256 | 141 | C |
| LC5512MB | LC5512MB-45QN208C | 512 | 2.5 | 4.5 | Lead-free PQFP | 208 | 149 | C |
| | LC5512MB-75QN208C | 512 | 2.5 | 7.5 | Lead-free PQFP | 208 | 149 | C |
| | LC5512MB-45FN256C | 512 | 2.5 | 4.5 | Lead-free fpBGA | 256 | 193 | C |
| | LC5512MB-75FN256C | 512 | 2.5 | 7.5 | Lead-free fpBGA | 256 | 193 | C |
| | LC5512MB-45FN484C | 512 | 2.5 | 4.5 | Lead-free fpBGA | 484 | 253 | C |
| | LC5512MB-75FN484C | 512 | 2.5 | 7.5 | Lead-free fpBGA | 484 | 253 | C |
| LC5768MB | LC5768MB-5FN256C | 768 | 2.5 | 5.0 | Lead-free fpBGA | 256 | 193 | C |
| | LC5768MB-75FN256C | 768 | 2.5 | 7.5 | Lead-free fpBGA | 256 | 193 | C |
| | LC5768MB-5FN484C | 768 | 2.5 | 5.0 | Lead-free fpBGA | 484 | 317 | C |
| | LC5768MB-75FN484C | 768 | 2.5 | 7.5 | Lead-free fpBGA | 484 | 317 | C |
| LC51024MB | LC51024MB-52FN484C | 1024 | 2.5 | 5.2 | Lead-free fpBGA | 484 | 317 | C |
| | LC51024MB-75FN484C | 1024 | 2.5 | 7.5 | Lead-free fpBGA | 484 | 317 | C |
| | LC51024MB-52FN672C | 1024 | 2.5 | 5.2 | Lead-free fpBGA | 672 | 381 | C |
| | LC51024MB-75FN672C | 1024 | 2.5 | 7.5 | Lead-free fpBGA | 672 | 381 | C |

**ispXPLD 5000MB (2.5V) Lead-Free Industrial
Devices**

| Device | Part Number | Macrocells | Voltage (V) | t _{PD} (ns) | Package | Pin/Ball Count | I/O | Grade |
|-----------|--------------------|------------|-------------|----------------------|-----------------|----------------|-----|-------|
| LC5256MB | LC5256MB-5FN256I | 256 | 2.5 | 5.0 | Lead-free fpBGA | 256 | 141 | I |
| | LC5256MB-75FN256I | 256 | 2.5 | 7.5 | Lead-free fpBGA | 256 | 141 | I |
| LC5512MB | LC5512MB-75QN208I | 512 | 2.5 | 7.5 | Lead-free PQFP | 208 | 149 | I |
| | LC5512MB-75FN256I | 512 | 2.5 | 7.5 | Lead-free fpBGA | 256 | 193 | I |
| | LC5512MB-75FN484I | 512 | 2.5 | 7.5 | Lead-free fpBGA | 484 | 253 | I |
| LC5768MB | LC5768MB-75FN256I | 768 | 2.5 | 7.5 | Lead-free fpBGA | 256 | 193 | I |
| | LC5768MB-75FN484I | 768 | 2.5 | 7.5 | Lead-free fpBGA | 484 | 317 | I |
| LC51024MB | LC51024MB-75FN484I | 1024 | 2.5 | 7.5 | Lead-free fpBGA | 484 | 317 | I |
| | LC51024MB-75FN672I | 1024 | 2.5 | 7.5 | Lead-free fpBGA | 672 | 381 | I |

ispXPLD 5000MV (3.3V) Lead-Free Commercial Devices

| Device | Part Number | Macrocells | Voltage (V) | t _{PD} (ns) | Package | Pin/Ball Count | I/O | Grade |
|----------|-------------------|------------|-------------|----------------------|-----------------|----------------|-----|-------|
| LC5256MV | LC5256MV-4FN256C | 256 | 3.3 | 4.0 | Lead-free fpBGA | 256 | 141 | C |
| | LC5256MV-5FN256C | 256 | 3.3 | 5.0 | Lead-free fpBGA | 256 | 141 | C |
| | LC5256MV-75FN256C | 256 | 3.3 | 7.5 | Lead-free fpBGA | 256 | 141 | C |

ispXPLD 5000MV (3.3V) Lead-Free Commercial Devices (Continued)

| Device | Part Number | Macrocells | Voltage (V) | t _{PD} (ns) | Package | Pin/Ball Count | I/O | Grade |
|-----------|--------------------|------------|-------------|----------------------|-----------------|----------------|-----|-------|
| LC5512MV | LC5512MV-45QN208C | 512 | 3.3 | 4.5 | Lead-free PQFP | 208 | 149 | C |
| | LC5512MV-75QN208C | 512 | 3.3 | 7.5 | Lead-free PQFP | 208 | 149 | C |
| | LC5512MV-45FN256C | 512 | 3.3 | 4.5 | Lead-free fpBGA | 256 | 193 | C |
| | LC5512MV-75FN256C | 512 | 3.3 | 7.5 | Lead-free fpBGA | 256 | 193 | C |
| | LC5512MV-45FN484C | 512 | 3.3 | 4.5 | Lead-free fpBGA | 484 | 253 | C |
| | LC5512MV-75FN484C | 512 | 3.3 | 7.5 | Lead-free fpBGA | 484 | 253 | C |
| LC5768MV | LC5768MV-5FN256C | 768 | 3.3 | 5.0 | Lead-free fpBGA | 256 | 193 | C |
| | LC5768MV-75FN256C | 768 | 3.3 | 7.5 | Lead-free fpBGA | 256 | 193 | C |
| | LC5768MV-5FN484C | 768 | 3.3 | 5.0 | Lead-free fpBGA | 484 | 317 | C |
| | LC5768MV-75FN484C | 768 | 3.3 | 7.5 | Lead-free fpBGA | 484 | 317 | C |
| LC51024MV | LC51024MV-52FN484C | 1024 | 3.3 | 5.2 | Lead-free fpBGA | 484 | 317 | C |
| | LC51024MV-75FN484C | 1024 | 3.3 | 7.5 | Lead-free fpBGA | 484 | 317 | C |
| | LC51024MV-52FN672C | 1024 | 3.3 | 5.2 | Lead-free fpBGA | 672 | 381 | C |
| | LC51024MV-75FN672C | 1024 | 3.3 | 7.5 | Lead-free fpBGA | 672 | 381 | C |

ispXPLD 5000MV (3.3V) Lead-Free Industrial Devices

| Device | Part Number | Macrocells | Voltage (V) | t _{PD} (ns) | Package | Pin/Ball Count | I/O | Grade |
|-----------|--------------------|------------|-------------|----------------------|-----------------|----------------|-----|-------|
| LC5256MV | LC5256MV-5FN256I | 256 | 3.3 | 5.0 | Lead-free fpBGA | 256 | 141 | I |
| | LC5256MV-75FN256I | 256 | 3.3 | 7.5 | Lead-free fpBGA | 256 | 141 | I |
| LC5512MV | LC5512MV-75QN208I | 512 | 3.3 | 7.5 | Lead-free PQFP | 208 | 149 | I |
| | LC5512MV-75FN256I | 512 | 3.3 | 7.5 | Lead-free fpBGA | 256 | 193 | I |
| | LC5512MV-75FN484I | 512 | 3.3 | 7.5 | Lead-free fpBGA | 484 | 253 | I |
| LC5768MV | LC5768MV-75FN256I | 768 | 3.3 | 7.5 | Lead-free fpBGA | 256 | 193 | I |
| | LC5768MV-75FN484I | 768 | 3.3 | 7.5 | Lead-free fpBGA | 484 | 317 | I |
| LC51024MV | LC51024MV-75FN484I | 1024 | 3.3 | 7.5 | Lead-free fpBGA | 484 | 317 | I |
| | LC51024MV-75FN672I | 1024 | 3.3 | 7.5 | Lead-free fpBGA | 672 | 381 | I |

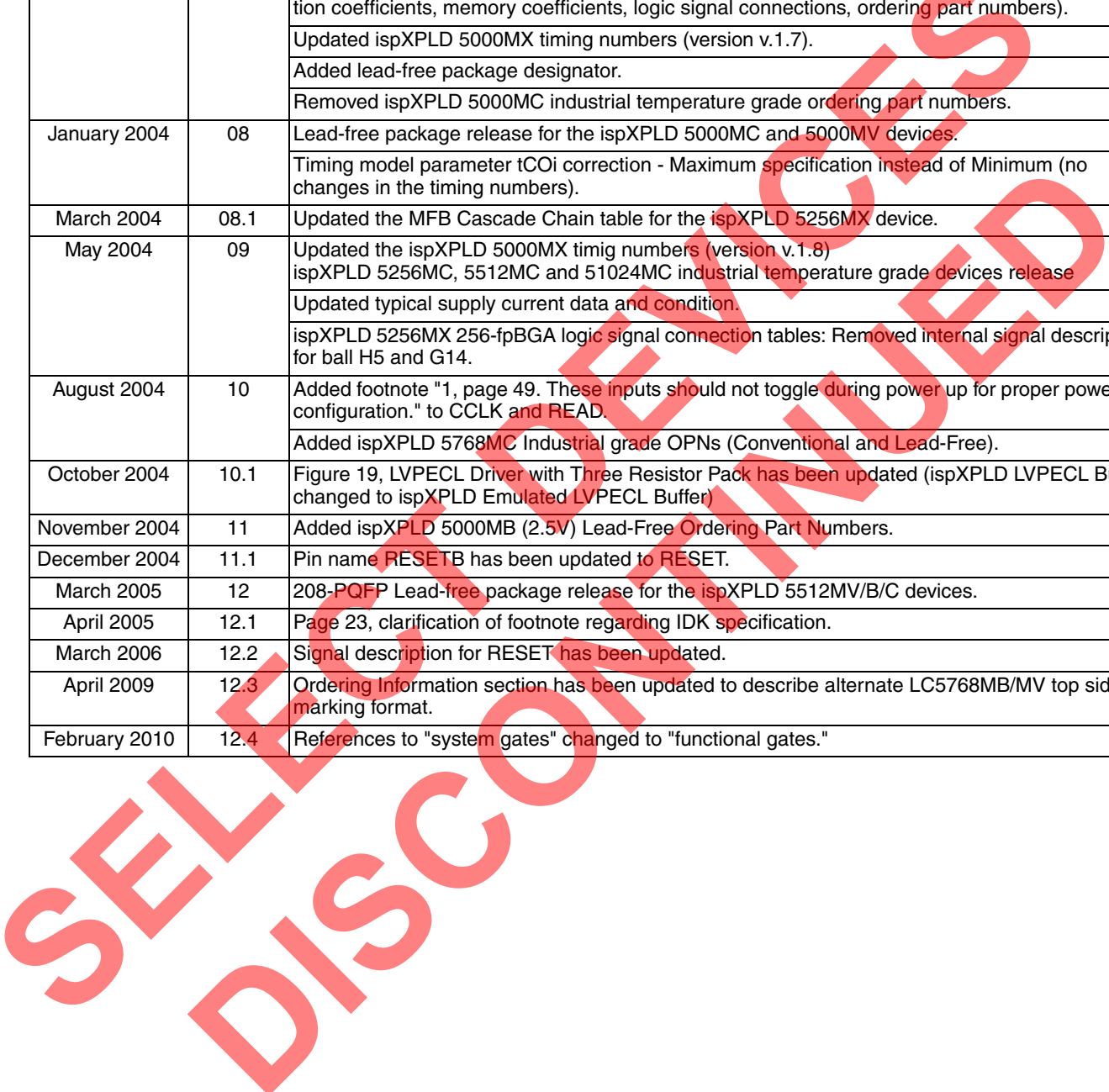
For Further Information

In addition to this data sheet, the following technical notes may be helpful when designing with the ispXPLD 5000MX family:

- TN1000 – [sysIO Usage Guidelines for Lattice Devices](#)
- TN1003 – [sysCLOCK PLL Usage Guide for ispXPGA, ispGDX2, ispXPLD and ispMACH 5000VG Devices](#)
- TN1031 – [Power Estimation in ispXPLD 5000MX Devices](#)
- TN1030 – [Using Memory in ispXPLD 5000MX Devices](#)
- TN1026 – [ispXP Configuration Usage Guidelines](#)

Revision History

| Date | Version | Change Summary |
|---------------|---------|---|
| — | — | Previous Lattice releases. |
| December 2003 | 07 | Added ispXPLD 5768MX information (supply current, timings, power consumption, power estimation coefficients, memory coefficients, logic signal connections, ordering part numbers). |
| | | Updated ispXPLD 5000MX timing numbers (version v.1.7). |
| | | Added lead-free package designator. |
| | | Removed ispXPLD 5000MC industrial temperature grade ordering part numbers. |
| January 2004 | 08 | Lead-free package release for the ispXPLD 5000MC and 5000MV devices. |
| | | Timing model parameter tCOi correction - Maximum specification instead of Minimum (no changes in the timing numbers). |
| March 2004 | 08.1 | Updated the MFB Cascade Chain table for the ispXPLD 5256MX device. |
| May 2004 | 09 | Updated the ispXPLD 5000MX timing numbers (version v.1.8) |
| | | ispXPLD 5256MC, 5512MC and 51024MC industrial temperature grade devices release |
| | | Updated typical supply current data and condition. |
| August 2004 | 10 | ispXPLD 5256MX 256-fpBGA logic signal connection tables: Removed internal signal description for ball H5 and G14. |
| | | Added footnote "1, page 49. These inputs should not toggle during power up for proper power-up configuration." to CCLK and READ. |
| October 2004 | 10.1 | Added ispXPLD 5768MC Industrial grade OPNs (Conventional and Lead-Free). |
| | | Figure 19, LVPECL Driver with Three Resistor Pack has been updated (ispXPLD LVPECL Buffer changed to ispXPLD Emulated LVPECL Buffer) |
| November 2004 | 11 | Added ispXPLD 5000MB (2.5V) Lead-Free Ordering Part Numbers. |
| December 2004 | 11.1 | Pin name RESETB has been updated to RESET. |
| March 2005 | 12 | 208-PQFP Lead-free package release for the ispXPLD 5512MV/B/C devices. |
| April 2005 | 12.1 | Page 23, clarification of footnote regarding IDK specification. |
| March 2006 | 12.2 | Signal description for RESET has been updated. |
| April 2009 | 12.3 | Ordering Information section has been updated to describe alternate LC5768MB/MV top side marking format. |
| February 2010 | 12.4 | References to "system gates" changed to "functional gates." |



X-ON Electronics

Largest Supplier of Electrical and Electronic Components

Click to view similar products for [CPLD - Complex Programmable Logic Devices](#) category:

Click to view products by [Lattice](#) manufacturer:

Other Similar products are found below :

[ISPLSI 1032-90LJ](#) [5962-9759901QZC](#) [EPM7064LC68-7](#) [XC95288XL-10CS280I](#) [LC5512MV-45F256C](#) [ISPLSI2096A-80LT128I](#) [M4A3-512/160-14YI](#) [M4A5-192/96-10VC](#) [M4A5-256/128-7YC](#) [M5-320/160-12YC](#) [CY37032VP44-100AXC](#) [CY37064P44-154JI](#) [CY37064VP100-143AXC](#) [CY37128P84-100JXC](#) [ISPLSI 2032A-135LJ44I](#) [LC4032ZC-5M56C](#) [LC4128V-27T128C](#) [LC4256C-5FT256BC](#) [LC4256ZC-75MN132C](#) [CY37512P208-125NXC](#) [EPM1270T144C5N](#) [M5LV-256/68-7YC](#) [M5LV-256/104-10VI](#) [M5-384/160-7YC](#) [M4A5-64/32-12VI](#) [M4A3-64/32-10VNC48](#) [M4A3-512/160-7YC](#) [M4A3-512/160-10YC](#) [M4A5-192/96-7VC](#) [M4A3-64/32-7VI48](#) [M4A3-64/32-55VC](#) [M4A3-32/32-7VC](#) [M4A3-32/32-10VI48](#) [M4A3-256/160-10YC](#) [M4A3-256/128-7FAC](#) [M4A3-256/128-10YI](#) [M4-128N/64-12JC](#) [LC4032ZC-75M56C](#) [LC4128B-5TN128I](#) [LC4128V-5T128C](#) [LC4128ZC-75M132C](#) [LC4128ZC-75M132I](#) [LC4256B-5TN176C](#) [LC4256B-75FT256AC](#) [LC4256B-75TN176C](#) [LC4256C-5FT256AI](#) [LC4256C-75FTN256BC](#) [LC4256V-5FT256AC](#) [LC4256V-5FT256BI](#) [LC4256V-75FT256BC](#)