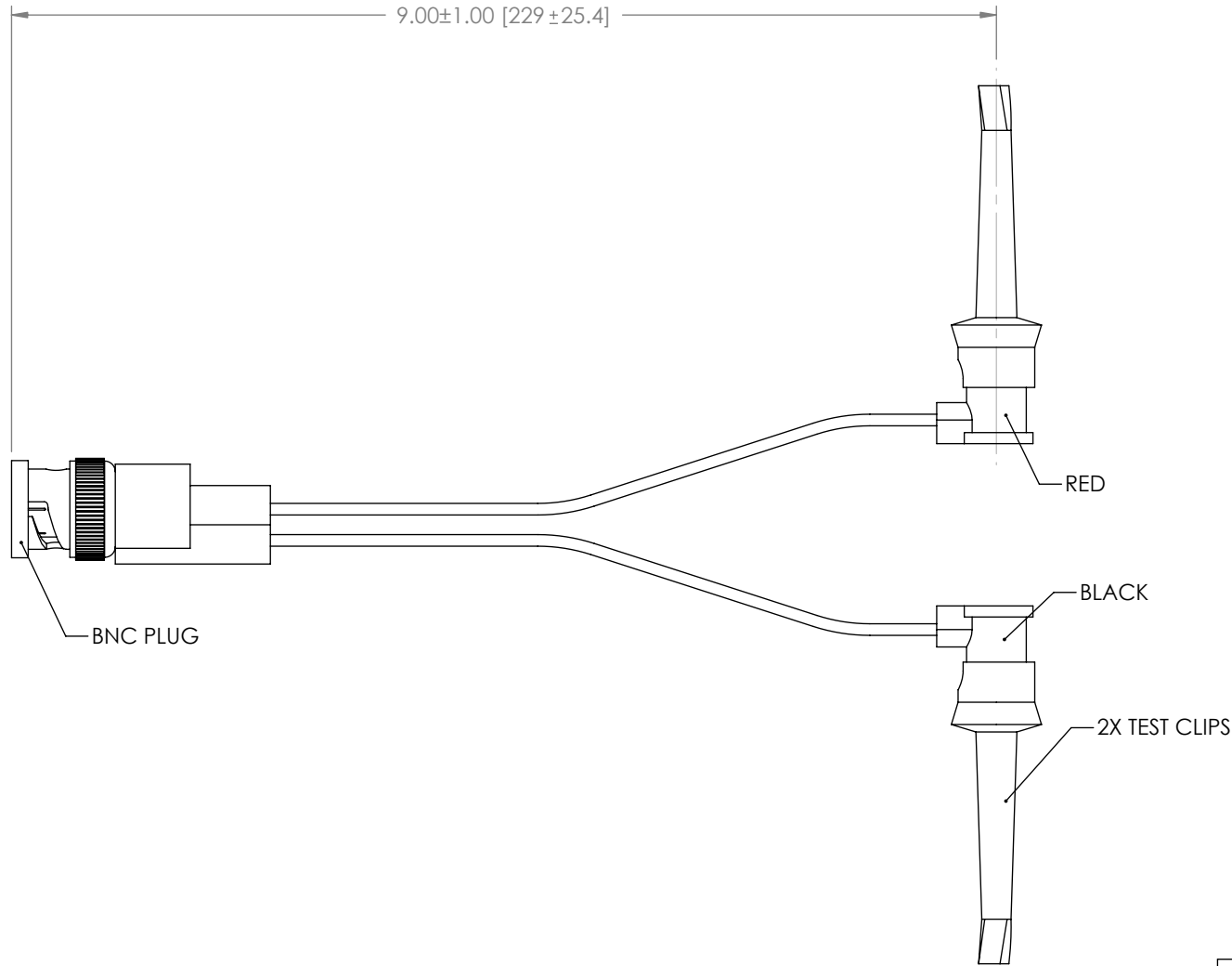


THE INFORMATION CONTAINED IN THIS DRAWING IS THE SOLE PROPERTY OF L-COM, INC. ANY REPRODUCTION IN PART OR WHOLE WITHOUT THE WRITTEN PERMISSION OF L-COM, INC. IS PROHIBITED.

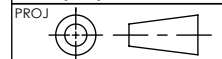
REVISIONS			
REV	DESCRIPTION	DATE	CHANGED BY
A	INITIAL RELEASE	05/28/03	MCCORMICK
B	ECN 3177: UPDATE DWG FORMAT	1/29/08	D.GRIFFIN



NOTES:

CABLE ASSEMBLY SHALL BE TESTED FOR CONTINUITY  
 CABLE ASSEMBLY SHALL BE INDIVIDUALLY PACKAGED IN POLYBAG

UNLESS OTHERWISE SPECIFIED,  
 DIMENSIONS ARE IN INCHES [mm]  
 TOLERANCES TO BE:  
 .X ±.1 [2.5] ANGLES ±2°  
 .XX ±.01 [.25]  
 .XXX ±.005 [.13]  
 OVERALL CABLE LENGTH TOL:  
 ≤ 60 [1524] +3 [76.2] / -0  
 > 60 [1524] +5% / -0%



APPROVALS	DATE
DRAWN BY C.MCCORMICK	05/28/2003
CHECKED BY D.PARHAM	05/28/2003
APPROVED BY R.CARRICK	05/28/2003

CONFIGURATION DETAILS OF  
 UNDIMENSIONED FEATURES  
 MAY VARY

<b>L-com</b> CONNECTIVITY PRODUCTS		45 BEECHWOOD DRIVE NORTH ANDOVER, MA 01845	
CATEGORY		COAXIAL	
PRODUCT DESCRIPTION		TEST CABLE;BNC PLUG/DUAL TEST CLIPS	
SIZE <b>A</b>	FSCM NO. <b>43321</b>	DWG. NO. <b>BC40</b>	REV. <b>B</b>
SCALE: NONE		CAD FILE: BC40.SLDDRW	SHEET 1 OF 1

## X-ON Electronics

Largest Supplier of Electrical and Electronic Components

*Click to view similar products for [L-Com manufacturer](#):*

Other Similar products are found below :

[27-500-010](#) [AL-ECF504-AB](#) [ANM-1406](#) [AOCQP28100-007](#) [AOCQSP40-010](#) [AOCSP10-002](#) [BA35FF](#) [BAK400](#) [BC030B](#) [BC030R](#) [BC25](#)  
[BC40](#) [BC50](#) [BC55](#) [BTB5MD](#) [CA3A-90DA-05M](#) [CA3A-90LA-1M](#) [CA3A-90RA-05M](#) [CA3A-90RMICB-05M](#) [CA3N030](#) [CA3N050](#)  
[CA90DA-90DB-03M](#) [CAPUSB-A](#) [CAPUSB-B](#) [CAP-WPRJ](#) [CA-RSPNMB010](#) [CASATAL-18](#) [CASATARL-12](#) [CAUALAL-1M](#)  
[CAUALAL-2M](#) [CAUALAL-3M](#) [CAUALB-1M](#) [CAUBLKAA-2M](#) [CAUBLKAB-05M](#) [CAUBLKAB-1M](#) [CAUBLKAB-3M](#) [CAUBLKAB-](#)  
[4M](#) [CAUBLKAB-5M](#) [CC58C-10](#) [CC58C-12](#) [CC58C-2](#) [CC58C-5](#) [CC59A-25](#) [CG-C6A-MF](#) [CG-C6-MF](#) [CGDVIMM-10](#) [CGSVGAMM-10](#)  
[CIB24-05M](#) [CIB24-1M](#) [CIB24-2M](#)