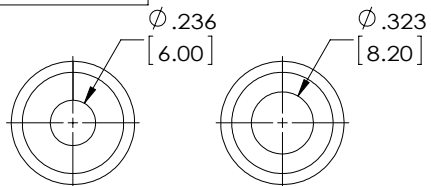


THE INFORMATION CONTAINED IN THIS DRAWING IS THE SOLE PROPERTY OF L-COM, INC. ANY REPRODUCTION IN PART OR WHOLE WITHOUT THE WRITTEN PERMISSION OF L-COM, INC. IS PROHIBITED.

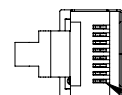
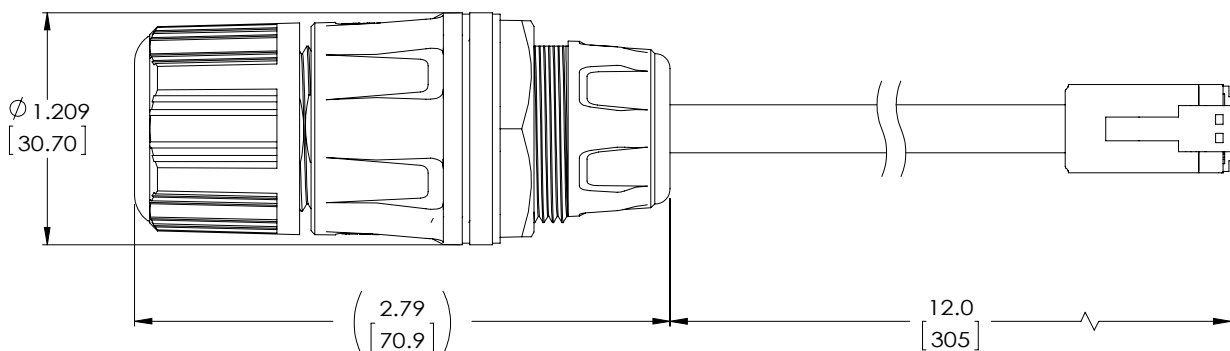
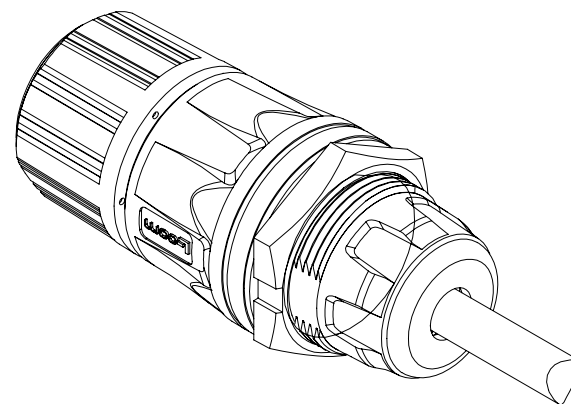
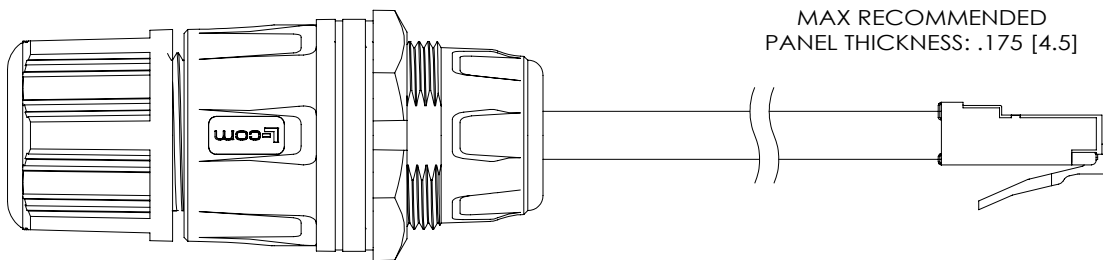
PART NUMBER	RATING
CG-C5E-MF	CAT 5E
CG-C6-MF	CAT 6
CG-C6A-MF	CAT 6A



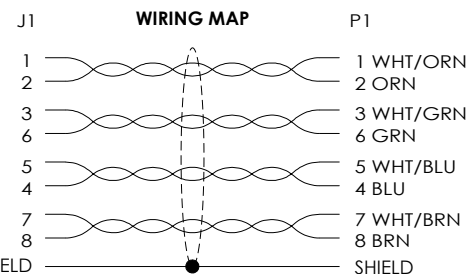
"SMALL ID" "LARGE ID"
 (1X) SMALL ID GROMMET (COMES INSTALLED IN ASSEMBLY)
 (1X) LARGE ID GROMMET (INCLUDED LOOSE IN PACKAGING)

RECOMMENDED
 PANEL CUTOUT
 MAX RECOMMENDED
 PANEL THICKNESS: .175 [4.5]

REVISIONS			
REV	DESCRIPTION	DATE	APPROVED
A	INITIAL RELEASE	11/5/15	D.GRIFFIN
B	ECN8678:NOTES ADD LTP-011, OPERATING TEMP.CHANGE TO -10 TO +75°C	04/14/17	D.CUI



POSITION 1



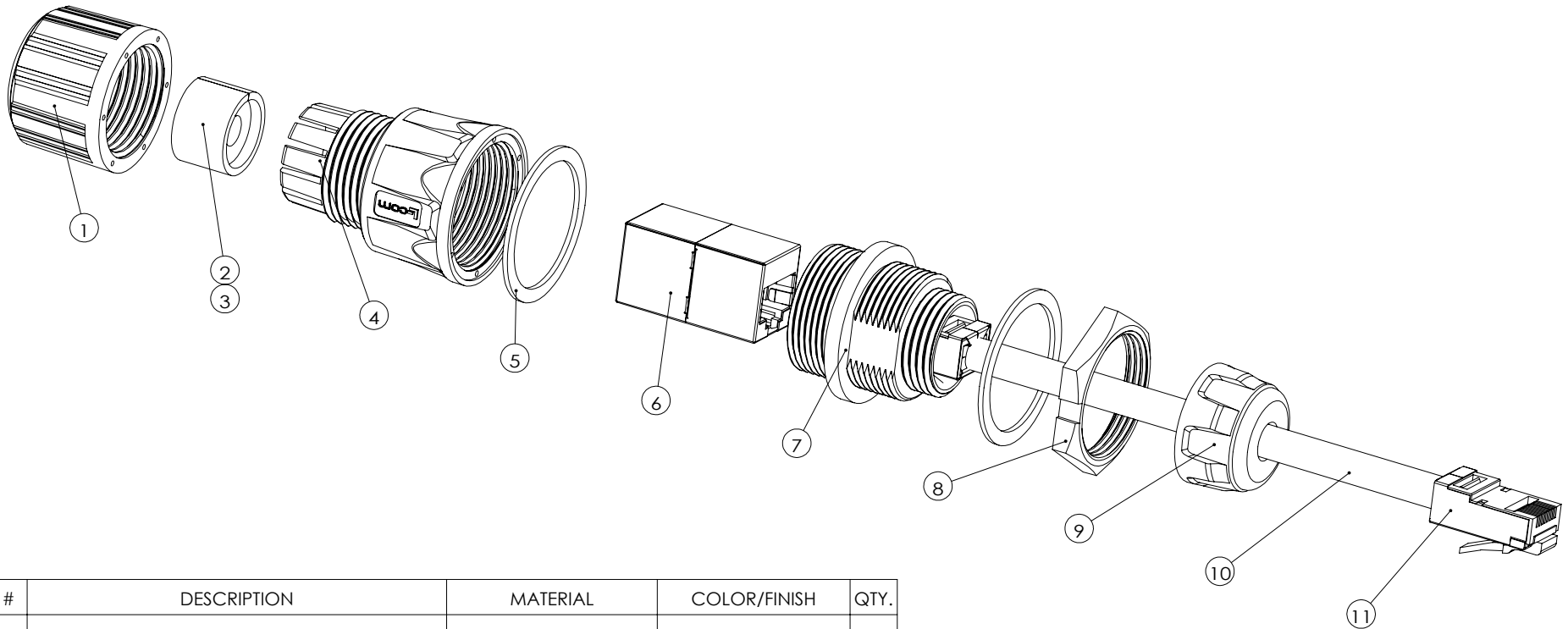
NOTES:

- INGRESS PROTECTION RATING IS IP68 WHEN FULLY ASSEMBLED TO CABLE.
- TEST SPECIMEN TESTED PER L-COM SPECIFICATION LTP-009. IMMERSED IN 1 METER OF WATER FOR 24 HOURS.
- COUPLER SHALL BE TESTED IN ACCORDANCE WITH L-COM SPEC. LTP-011
- OPERATING TEMPERATURE: -10°C TO +75°C
- ASSEMBLY SHALL BE INDIVIDUALLY PACKAGED FULLY ASSEMBLED WITH SMALL ID GROMMET INSTALLED IN ACCORDANCE WITH L-COM SPECIFICATION PS-0031.

REGULATORY COMPLIANCE:
 CE2011/65/EU(RoHS DIRECTIVE)

UNLESS OTHERWISE SPECIFIED, DIMENSIONS ARE IN INCHES [mm] OVERALL CABLE LENGTH TOLERANCE: ≤12 [305] = +1 [25] / -0 >12 [305] ≤60 [1524] = +2 [51] / -0 >60 [1524] ≤120 [3048] = +4 [102] / -0 >120 [3048] ≤300 [7620] = +6 [152] / -0 >300 [7620] = +3% / -0%	APPROVALS	DATE		45 BEECHWOOD DRIVE NORTH ANDOVER, MA 01845		
	DRAWN BY D. DESJARDIN	6/15/15				
ALL OTHER DIMENSIONAL TOLERANCES: .X = ± .2 [5.08] .XX = ± .02 [1.51] .XXX = ± .005 [1.3]	CHECKED BY D. PARHAM	11/5/15	CATEGORY TELECOM/MODULAR			
	APPROVED BY D. GALLAGHER	11/5/15	PRODUCT DESCRIPTION CBL Cxx SHLD RJ45 IP68 M/F			
PROJECTION 	CONFIGURATION DETAILS OF UNDIMENSIONED FEATURES MAY VARY	COLOR VARIATIONS MAY OCCUR	SIZE A	FSCM NO. 43321	DWG. NO. CG-Cxx-MF	REV. B
			SCALE: NONE	CAD FILE: CG-Cxx-MF.SLDDRW	SHEET 1 OF 2	

THE INFORMATION CONTAINED IN THIS DRAWING IS THE SOLE PROPERTY OF L-COM, INC. ANY REPRODUCTION IN PART OR WHOLE WITHOUT THE WRITTEN PERMISSION OF L-COM, INC. IS PROHIBITED.



#	DESCRIPTION	MATERIAL	COLOR/FINISH	QTY.
1	CG-CXX CABLE GLAND	PA66 (FR370), UL94V-0	BLACK	1
2	CG-CXX SMALL GROMMET	SILICONE	BLACK	1
3	CG-CXX LARGE GROMMET	SILICONE	BLACK	1
4	CG-CXX HOUSING COLLET	PA66 (FR370), UL94V-0	BLACK	1
5	CG-CXX GASKET	SILICONE	BLACK	2
6	CATEGORY XX RJ45 8P8C SHLD COUPLER	PLASTIC: PC, UL94V-0 SHIELD: BRASS	PLASTIC: BLACK SHIELD: NICKEL PLATE	1
7	CG-CXX HOUSING	PA66 (FR370), UL94V-0	BLACK	1
8	CG-CXX HEX NUT	PA66 (FR370), UL94V-0	BLACK	1
9	CG-CXX CABLE STRAIN RELIEF	PA66 (FR370), UL94V-0	BLACK	1
10	CATEGORY XX F/UTP 26 AWG 4-PAIR STRANDED WITH ALUM/POLY SHIELD AND DRAIN WIRE	PVC	BLACK	1
11	CATEGORY XX RJ45 8P8C MODULAR PLUG	PLASTIC: PC SHIELD: BRASS	PLASTIC: CLEAR SHIELD: NICKEL PLATE	2

		45 BEECHWOOD DRIVE NORTH ANDOVER, MA 01845	
CATEGORY			
TELECOM/MODULAR			
PRODUCT DESCRIPTION			
CBL Cxx SHLD RJ45 IP68 M/F			
SIZE	FSCM NO.	DWG. NO.	REV.
A	43321	CG-Cxx-MF	B
SCALE: NONE		CAD FILE: CG-Cxx-MF.SLDDRW	
			SHEET 2 OF 2

X-ON Electronics

Largest Supplier of Electrical and Electronic Components

Click to view similar products for [L-Com manufacturer](#):

Other Similar products are found below :

[27-500-010](#) [AL-ECF504-AB](#) [ANM-1406](#) [AOCQP28100-007](#) [AOCQSP40-010](#) [AOCSP10-002](#) [BA35FF](#) [BAK400](#) [BC030B](#) [BC030R](#) [BC25](#)
[BC40](#) [BC50](#) [BC55](#) [BTB5MD](#) [CA3A-90DA-05M](#) [CA3A-90LA-1M](#) [CA3A-90RA-05M](#) [CA3A-90RMICB-05M](#) [CA3N030](#) [CA3N050](#)
[CA90DA-90DB-03M](#) [CAPUSB-A](#) [CAPUSB-B](#) [CAP-WPRJ](#) [CA-RSPNMB010](#) [CASATAL-18](#) [CASATARL-12](#) [CAUALAL-1M](#)
[CAUALAL-2M](#) [CAUALAL-3M](#) [CAUALB-1M](#) [CAUBLKAA-2M](#) [CAUBLKAB-05M](#) [CAUBLKAB-1M](#) [CAUBLKAB-3M](#) [CAUBLKAB-](#)
[4M](#) [CAUBLKAB-5M](#) [CC58C-10](#) [CC58C-12](#) [CC58C-2](#) [CC58C-5](#) [CC59A-25](#) [CG-C6A-MF](#) [CG-C6-MF](#) [CGDVIMM-10](#) [CGSVGAMM-10](#)
[CIB24-05M](#) [CIB24-1M](#) [CIB24-2M](#)