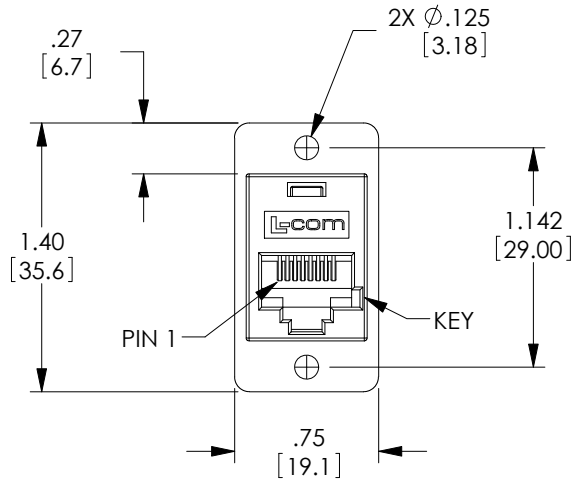
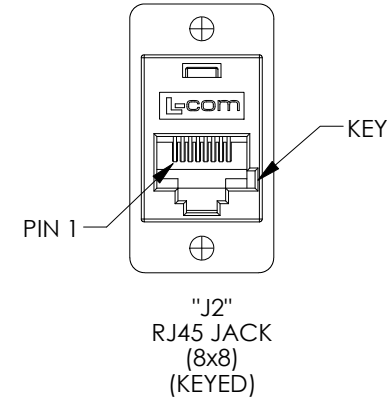
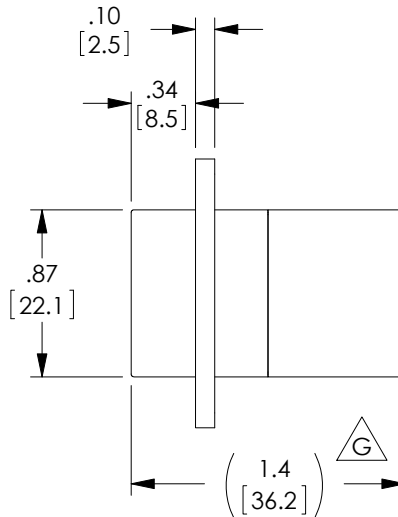


THE INFORMATION CONTAINED IN THIS DRAWING IS THE SOLE PROPERTY OF L-COM, INC. ANY REPRODUCTION IN PART OR WHOLE WITHOUT THE WRITTEN PERMISSION OF L-COM, INC. IS PROHIBITED.

REVISIONS			
REV	DESCRIPTION	DATE	APPROVED
E	ECN 5720: REVISED GOLD PLATE TO 30u, ALL NOTES, NEW FORMAT	9/20/11	D.FRISIELLO
F	ECN 6114: CN RELEASE	5/31/12	D.FRISIELLO
G	ECN 6554: REVISED DIM TO [1.4], ROHS, FORMAT, REMOVE FINISH, MAT'L PC TO ABS	2/12/14	D.FRISIELLO

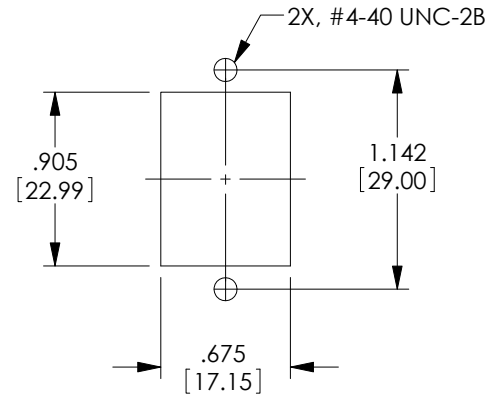


"J1"
RJ45 JACK
(8X8)
(KEYED)



"J2"
RJ45 JACK
(8X8)
(KEYED)

WIRING MAP	
"J1"	"J2"
1	1
2	2
3	3
4	4
5	5
6	6
7	7
8	8



RECOMMENDED
PANEL CUTOUT

NOTES:

MATERIAL:

HOUSING: ABS, UL94V-0, COLOR: BLACK
CONTACTS: PHOSPHOR BRONZE
CONTACT PLATING: GOLD, 30 μ INCHES OVER NICKEL PLATING.

ELECTRICAL:

CURRENT RATING: 2 AMPS (MAX.)
VOLTAGE RATING: 140 VDC

MISCELLANEOUS:

ALL DIMENSIONS SHOWN ARE FOR REFERENCE ONLY.
OPERATING TEMPERATURE RANGE: -20 °C TO +80 °C.
RATING APPLICATION: CATEGORY 3

COMPONENT SHALL BE INDIVIDUALLY PACKAGED IN ACCORDANCE WITH L-COM SPECIFICATION PS-0031.

REGULATORY COMPLIANCE:

CE2011/65/EU(RoHS DIRECTIVE)

UNLESS OTHERWISE SPECIFIED, DIMENSIONS ARE IN INCHES [mm] OVERALL CABLE LENGTH TOLERANCE: ≤12 [305] = +1 [25] / -0 >12 [305] ≤60 [1524] = +2 [51] / -0 >60 [1524] ≤120 [3048] = +4 [102] / -0 >120 [3048] ≤300 [7620] = +6 [152] / -0 >300 [7620] = +5% / -0%	APPROVALS	DATE		45 BEECHWOOD DRIVE NORTH ANDOVER, MA 01845		
	DRAWN BY D.FRISIELLO	4/23/12		CATEGORY	TELECOM/MODULAR	
ALL OTHER DIMENSIONAL TOLERANCES: .X = ± .2 [5.08] .XX = ± .02 [1.51] .XXX = ±.005 [1.13]	CHECKED BY D.DESJARDIN	4/23/12		PRODUCT DESCRIPTION RJ45 (8x8) KEYED STRAIGHT WIRED COUPLER		
	APPROVED BY D.GALLAGHER	4/23/12			<table border="1"> <tr> <td>SIZE A</td> <td>FSCM NO. 43321</td> <td>DWG. NO. ECF504B-8SK</td> <td>REV. G</td> </tr> </table>	SIZE A
SIZE A	FSCM NO. 43321	DWG. NO. ECF504B-8SK	REV. G			
PROJECTION 	COLOR VARIATIONS MAY OCCUR	SCALE: NONE	CAD FILE: ECF504B-8SK.SLDDRW	SHEET 1 OF 1		

X-ON Electronics

Largest Supplier of Electrical and Electronic Components

Click to view similar products for [Modular Connectors](#) / [Ethernet Connectors](#) category:

Click to view products by [L-Com](#) manufacturer:

Other Similar products are found below :

[RJE231881317T](#) [MP1010RX-1000](#) [MP44RX-1000](#) [GAX-3-66](#) [GAX-8-62](#) [93606-0253](#) [GD-A-44](#) [GDCX-PA-66-50](#) [GDCX-PN-64](#) [GDCX-PN-66](#) [GDCX-PN-66-50](#) [GDLX-A-66](#) [GDLX-A-88](#) [GDLX-N-66](#) [GDLX-S-88K](#) [GDTX-S-88-50](#) [GDX-PA-1010](#) [GLX-N-1010M-BLK](#) [GLX-N-44M](#) [GLX-S-88M-BLK](#) [GMX-N-1010](#) [GMX-S-1010](#) [GMX-S-66](#) [GMX-SMT2-N-1010](#) [GMX-SMT2-N-64-50](#) [GMX-SMT2-S6-88](#) [GMX-SMT4-N-88](#) [GPX-2-64](#) [GRT1-BT1-5](#) [GSGX-N-2-88](#) [GSX-NS2-88-3.05](#) [GSX-NS2-88-3.05-50](#) [GSX-NS-88-3.05-30](#) [GSX-NS-88-3.05-50](#) [GSX-NS-88-3.68](#) [1-1775629-2](#) [GWLX-S-88-GR](#) [GWLX-S9-88-YG](#) [1300500326](#) [1300500227](#) [1300530003](#) [1300570002](#) [1324640-4](#) [RJ11FTVC2G](#) [RJ11FTVC2N](#) [RJFTVX2SA1G](#) [132764-001](#) [1400000](#) [1413176](#) [1413235](#)