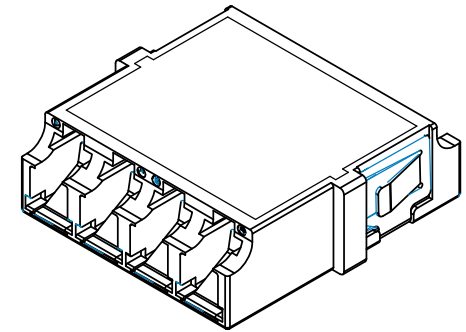
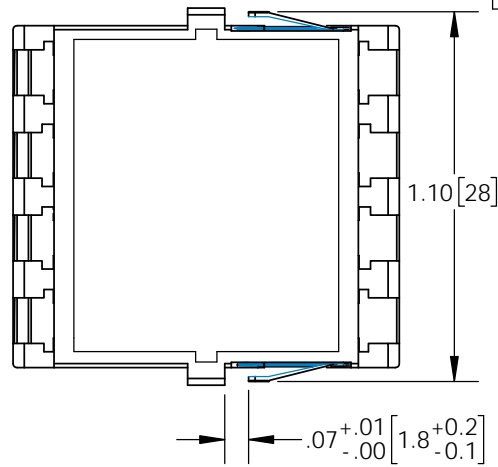
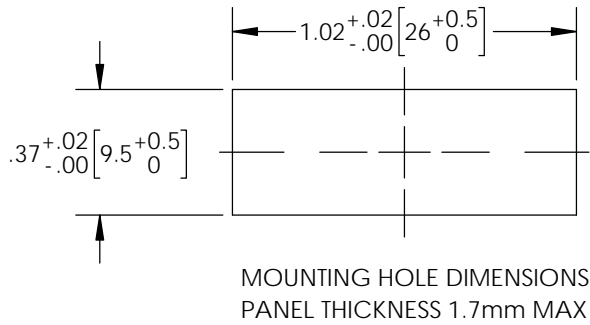
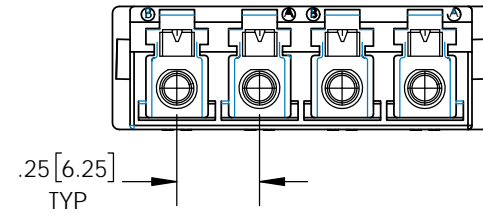
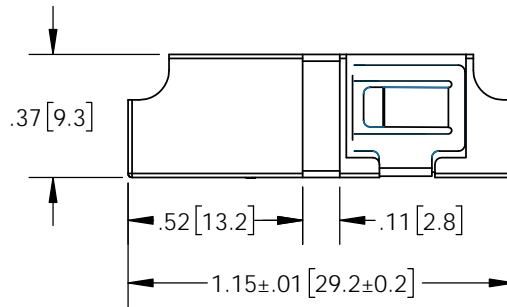
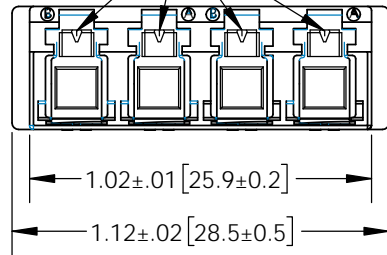


THE INFORMATION CONTAINED IN THIS DRAWING IS THE SOLE PROPERTY OF L-COM, INC. ANY REPRODUCTION IN PART OR WHOLE WITHOUT THE WRITTEN PERMISSION OF L-COM, INC. IS PROHIBITED.

REVISIONS			
REV	DESCRIPTION	DATE	APPROVED
A	REV A DRAWING RELEASED	10/05/2018	BPUCHASKI



AUTOMATIC SHUTTER MECHANISM



**NOTES:**

**MATERIALS:**  
 BODY: PBT (COLOR:BLUE)  
 SLEEVE: ZR  
 DUST CAP (4X): TPE (NOT SHOWN)

**PACKAGING:**  
 COMPONENT SHALL BE PACKAGED IN ACCORDANCE WITH L-COM SPEC PS-0031

- ALL DIMENSIONS FOR REFERENCE -

**REGULATORY COMPLIANCE:**  
 CE2011/65/EU(RoHS DIRECTIVE)

UNLESS OTHERWISE SPECIFIED, DIMENSIONS ARE IN INCHES [mm]  DIMENSIONAL TOLERANCES: .X = ±.1 [2.54] .XX = ±.01 [25] .XXX = ±.005 [13]  ANGULAR TOLERANCES: ALL = ± 1°	APPROVALS	DATE		50 HIGH STREET NORTH ANDOVER, MA 01845
	DRAWN BY BPUCHASKI	10/03/2018		
	CHECKED BY DFRISIELLO	10/03/2018	CATEGORY	FIBER OPTICS
	APPROVED BY DGUTTADAURO	10/03/2018	PRODUCT DESCRIPTION	LC CPLR QUAD SHUTTERED, ZR SLEEVE
PROJECTION 	COLOR VARIATIONS MAY OCCUR	SIZE <b>A</b>	FSCM NO. <b>43321</b>	DWG. NO. <b>FOA-807-BLU</b>
		SCALE: NONE	CAD FILE: FOA-807-BLU.SLDDRW	SHEET 1 OF 1

## X-ON Electronics

Largest Supplier of Electrical and Electronic Components

*Click to view similar products for [L-Com](#) manufacturer:*

Other Similar products are found below :

[27-500-010](#) [AL-ECF504-AB](#) [ANM-1406](#) [AOCQP28100-007](#) [AOCQSP40-010](#) [AOCSP10-002](#) [BA35FF](#) [BAK400](#) [BC030B](#) [BC030R](#) [BC25](#)  
[BC40](#) [BC50](#) [BC55](#) [BTB5MD](#) [CA3A-90DA-05M](#) [CA3A-90LA-1M](#) [CA3A-90RA-05M](#) [CA3A-90RMICB-05M](#) [CA3N030](#) [CA3N050](#)  
[CA90DA-90DB-03M](#) [CAPUSB-A](#) [CAPUSB-B](#) [CAP-WPRJ](#) [CA-RSPNMB010](#) [CASATAL-18](#) [CASATARL-12](#) [CAUALAL-1M](#)  
[CAUALAL-2M](#) [CAUALAL-3M](#) [CAUALB-1M](#) [CAUBLKAA-2M](#) [CAUBLKAB-05M](#) [CAUBLKAB-1M](#) [CAUBLKAB-3M](#) [CAUBLKAB-](#)  
[4M](#) [CAUBLKAB-5M](#) [CC58C-10](#) [CC58C-12](#) [CC58C-2](#) [CC58C-5](#) [CC59A-25](#) [CG-C6A-MF](#) [CG-C6-MF](#) [CGDVIMM-10](#) [CGSVGAMM-10](#)  
[CIB24-05M](#) [CIB24-1M](#) [CIB24-2M](#)