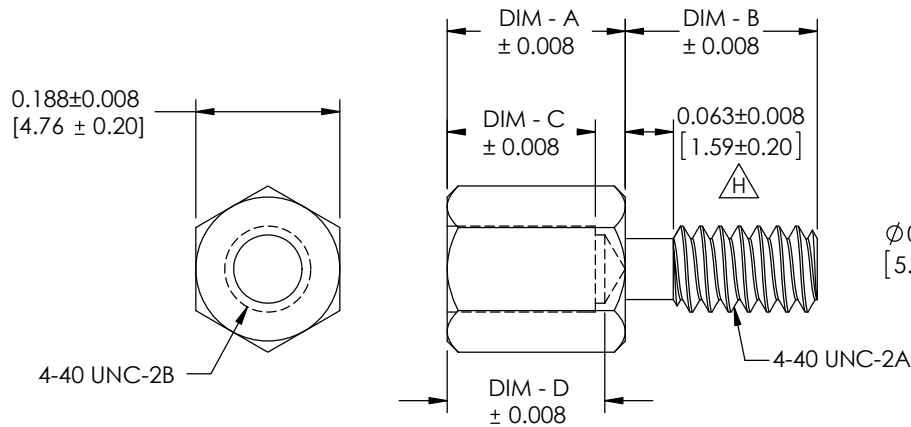


THE INFORMATION CONTAINED IN THIS DRAWING IS THE SOLE PROPERTY OF L-COM, INC. ANY REPRODUCTION IN PART OR WHOLE WITHOUT THE WRITTEN PERMISSION OF L-COM, INC. IS PROHIBITED.

REVISIONS			
REV	DESCRIPTION	DATE	APPROVED
F	ECN 4523: CHANGED HEX NUT MATERIAL FROM BRASS TO STEEL.	1/28/10	D.FRISIELLO
G	ECN 7890: UPDATED FORMAT, PACKAGING, ROHS	4/2/15	D. DESJARDIN
H	ECN 8584: REVISED SCREW THREAD PER ACTUAL PART. 1/16" NON-THREADED PORTION	12/15/16	D. DESJARDIN

P/N	DIM - A	DIM - B	DIM - C	DIM - D
SDG250	.232 [5.89]	.250 [6.35]	.193 [4.90]	.205 [5.21]
SDG300	.232 [5.89]	.300 [7.62]	.193 [4.90]	.205 [5.21]
SDG400	.232 [5.89]	.400 [10.16]	.193 [4.90]	.205 [5.21]
SDG400S	.197 [5.00]	.400 [10.16]	.154 [3.91]	.166 [4.22]
SDG400XS	.160 [4.06]	.400 [10.16]	.094 [2.39]	.128 [3.25]
SDG450XS	.160 [4.06]	.450 [11.43]	.094 [2.39]	.128 [3.25]
SDG500	.232 [5.89]	.500 [12.70]	.193 [4.90]	.205 [5.21]



**NOTE:**

**MATERIAL:**

JACKSCREW: BRASS  
 HEX NUT: STEEL  
 LOCK WASHER: STEEL

**FINISH:**

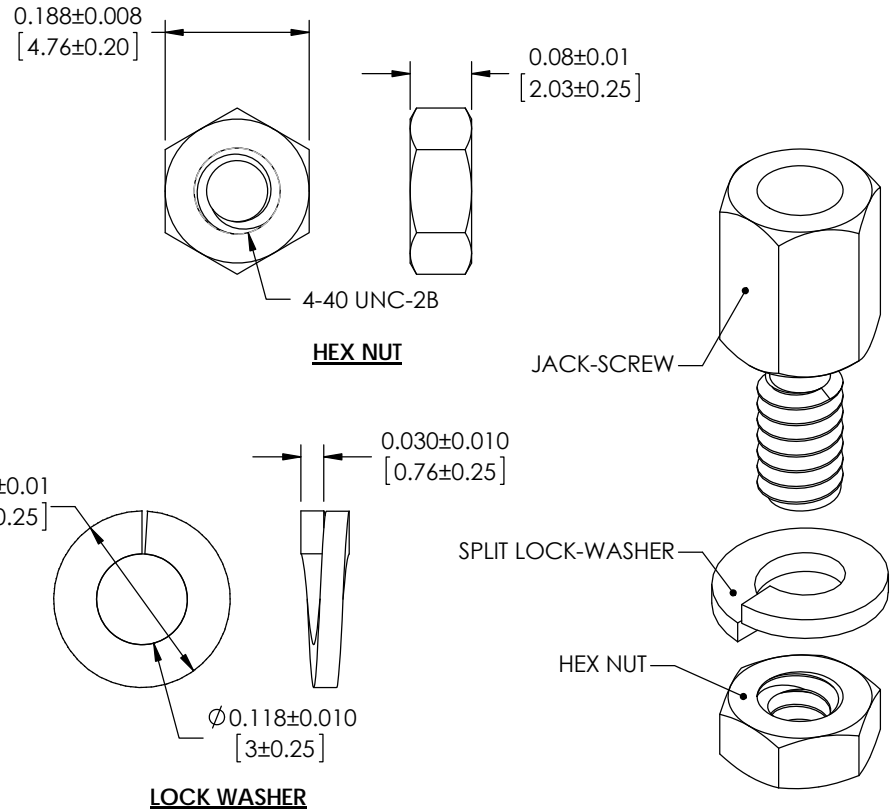
JACKSCREW: NICKEL PLATED  
 HEX NUT: NICKEL PLATED  
 LOCK WASHER: NICKEL PLATED

**MISCELLANEOUS:**

PACKAGING: SEAL 50 JACK-SCREWS, 50 LOCK-WASHERS, AND 50 HEX NUTS IN ACCORDANCE WITH L-COM SPECIFICATION PS-0031.

**REGULATORY COMPLIANCE:**

CE2011/65/EU (RoHS DIRECTIVE)



UNLESS OTHERWISE SPECIFIED, DIMENSIONS ARE IN INCHES [mm] OVERALL CABLE LENGTH TOLERANCE: ≤12 [305] = +1 [25] / -0 >12 [305] ≤60 [1524] = +2 [51] / -0 >60 [1524] ≤120 [3048] = +4 [102] / -0 >120 [3048] ≤300 [7620] = +6 [152] / -0 >300 [7620] = +5% / -0%	APPROVALS	DATE			50 HIGH STREET NORTH ANDOVER, MA 01845
	DRAWN BY B.MAZEJKA	02/12/2004			CHECKED BY D.PARHAM
ALL OTHER DIMENSIONAL TOLERANCES: .X = ± .2 [5.08] .XX = ± .02 [51] .XXX = ±.005 [1.27]	CONFIGURATION DETAILS OF UNDIMENSIONED FEATURES MAY VARY		CATEGORY D-SUBMINIATURE		
PROJECTION	COLOR VARIATIONS MAY OCCUR		PRODUCT DESCRIPTION SDG 4-40 HEX JACK-SCREW KIT		
	SIZE <b>A</b>	FSCM NO. <b>43321</b>	DWG. NO. <b>SDG250</b>	REV. <b>H</b>	SCALE: NONE   CAD FILE: SDG250.SLDDRW   SHEET 1 OF 1

## X-ON Electronics

Largest Supplier of Electrical and Electronic Components

*Click to view similar products for [l-com manufacturer](#):*

Other Similar products are found below :

[FOA-550A](#) [SDRA15AG](#) [UMC-201](#) [CSMN50MF-5](#) [CSMNB15MF-15](#) [TRD815RA2BL-5](#) [CA3N050](#) [CA3A-90DA-1M](#) [U3A00003-03M](#)  
[CTLF3VGAMM-20](#) [HDCAMM-3](#) [U3A00014-03M](#) [ECF-SK-25](#) [CSMT15MF-10](#) [CSMT15MM-15](#) [CSMT15MM-25](#) [CSPL15MF-50](#)  
[CSPL25MF-25](#) [CSPL9MF-10](#) [CSPL9MF-5](#) [CSPL25MF-5](#) [CSPL25MF-2.5](#) [AL-IPEPS](#) [NB201611-10F-1](#) [TDG1026KC5-MNL](#) [NB121005-](#)  
[10F](#) [TRD855SRA6DBL-05M](#) [TRD855SRA6DBL-10M](#) [TRD855SRA7DBL-1M](#) [TRD855SRA7DBL-10M](#) [PR175SCDLCQ24](#) [TRG508-T4T-](#)  
[3M](#) [TRA5261-15F](#) [TRA5261S-1F](#) [TRA6261-1F](#) [TRA6261-10F](#) [USBBFT](#) [DGB25M](#) [CASATAL-18](#) [CSM25MM-10](#) [CSM37MF-10](#)  
[CSUSB-100](#) [CA3A-90RA-1M](#) [CA3A-90RMICB-1M](#) [U2A00003-3M](#) [U3A00003-05M](#) [U2A00008-12I](#) [U3A00056-03M](#) [U3A00007-075M](#)  
[U3A00007-1M](#)