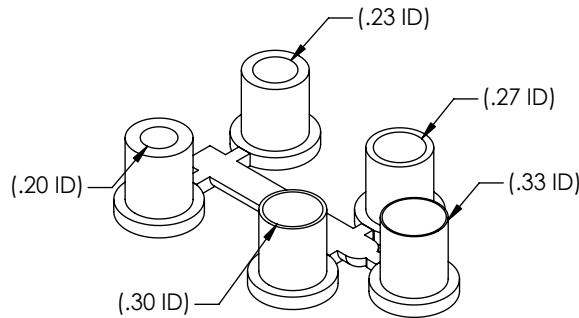
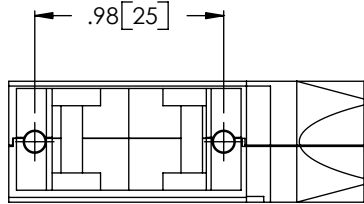
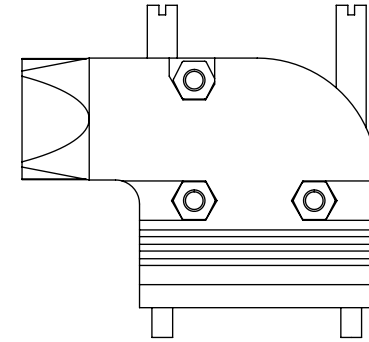
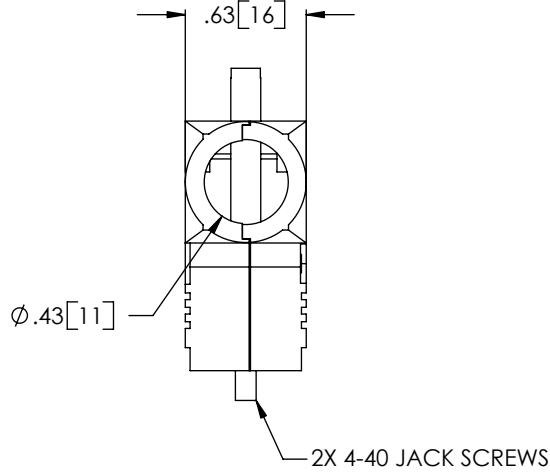
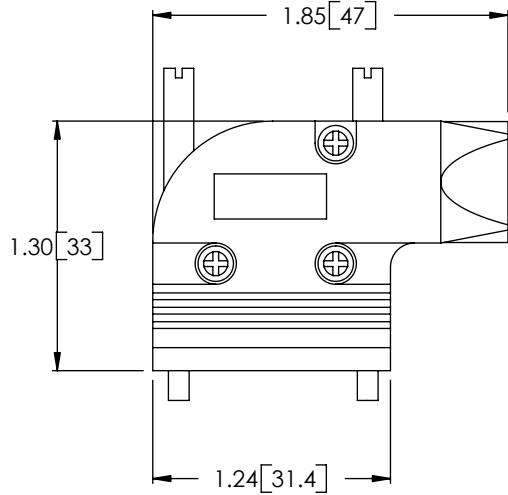


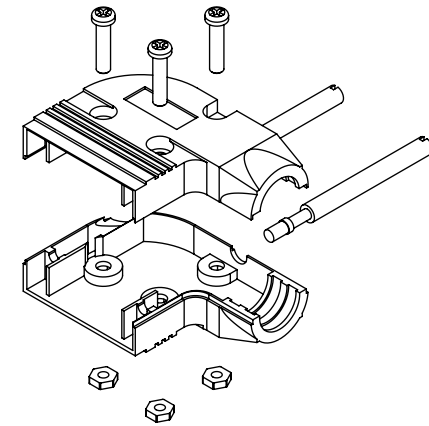
THE INFORMATION CONTAINED IN THIS DRAWING IS THE SOLE PROPERTY OF L-COM, INC. ANY REPRODUCTION IN PART OR WHOLE WITHOUT THE WRITTEN PERMISSION OF L-COM, INC. IS PROHIBITED.

**RoHS Compliant** ✓

REVISIONS			
REV	DESCRIPTION	DATE	CHANGED BY
A	RELEASED FOR PRODUCTION	03/04/02	MCCORMICK
B	ECN# 2731 - ADDED ROHS STAMP	10/23/07	D.GRIFFIN
.	.	.	.
.	.	.	.



GROMMETS AS SUPPLIED



- NOTES:**
1. MATERIAL: ZINC ALLOY  
GROMMET: SYNTHETIC RUBBER (BLACK)
  2. FINISH: NICKEL PLATED

UNLESS OTHERWISE SPECIFIED, DIMENSIONS ARE IN INCHES [mm]

TOLERANCES TO BE:

.X ±.1 [2.5]	ANGLES ±2°
.XX ±.01 [.25]	
.XXX ±.005 [.13]	

OVERALL CABLE LENGTH TOL:

≤ 60 [1524]	+3 [76.2] / -0
> 60 [1524]	+5% / -0%

PROJ

APPROVALS	DATE
DRAWN BY MCCORMICK	02/27/02
CHECKED BY D.PARHAM	02/27/02
APPROVED BY R.CARRICK	02/27/02

CONFIGURATION DETAILS OF UNDIMENSIONED FEATURES MAY VARY

**L-com** 45 BEECHWOOD DRIVE  
CONNECTIVITY PRODUCTS NORTH ANDOVER, MA 01845

CATEGORY DATA CABLING

PRODUCT DESCRIPTION  
HOOD CAST ALLOY  
DB9 & HD15 D-SUB RIGHT ANGLE

SIZE <b>A</b>	FSCM NO. <b>43321</b>	DWG. NO. <b>SDRA9AG</b>	REV. <b>B</b>
SCALE: NONE		CAD FILE: SDRA9AG.SLDDRW	
			SHEET 1 OF 1

## X-ON Electronics

Largest Supplier of Electrical and Electronic Components

*Click to view similar products for [l-com manufacturer](#):*

Other Similar products are found below :

[FOA-550A](#) [SDRA15AG](#) [UMC-201](#) [CSMN50MF-5](#) [CSMNB15MF-15](#) [TRD815RA2BL-5](#) [CA3N050](#) [CA3A-90DA-1M](#) [U3A00003-03M](#)  
[CTLF3VGAMM-20](#) [HDCAMM-3](#) [U3A00014-03M](#) [ECF-SK-25](#) [CSMT15MF-10](#) [CSMT15MM-15](#) [CSMT15MM-25](#) [CSPL15MF-50](#)  
[CSPL25MF-25](#) [CSPL9MF-10](#) [CSPL9MF-5](#) [CSPL25MF-5](#) [CSPL25MF-2.5](#) [AL-IPEPS](#) [NB201611-10F-1](#) [TDG1026KC5-MNL](#) [NB121005-](#)  
[10F](#) [TRD855SRA6DBL-05M](#) [TRD855SRA6DBL-10M](#) [TRD855SRA7DBL-1M](#) [TRD855SRA7DBL-10M](#) [PR175SCDLCQ24](#) [TRG508-T4T-](#)  
[3M](#) [TRA5261-15F](#) [TRA5261S-1F](#) [TRA6261-1F](#) [TRA6261-10F](#) [USBBFT](#) [DGB25M](#) [CASATAL-18](#) [CSM25MM-10](#) [CSM37MF-10](#)  
[CSUSB-100](#) [CA3A-90RA-1M](#) [CA3A-90RMICB-1M](#) [U2A00003-3M](#) [U3A00003-05M](#) [U2A00008-12I](#) [U3A00056-03M](#) [U3A00007-075M](#)  
[U3A00007-1M](#)