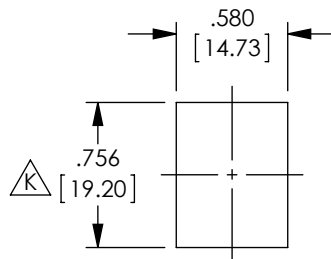
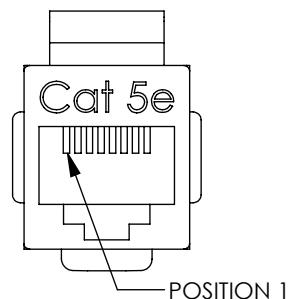
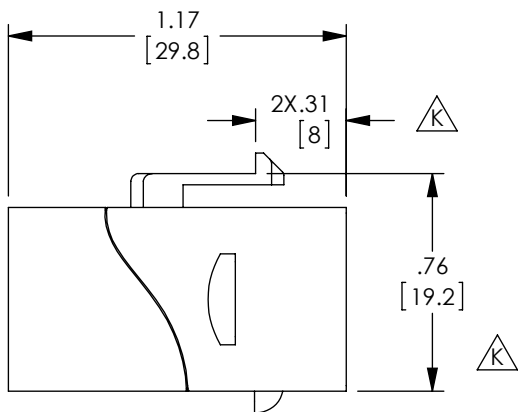
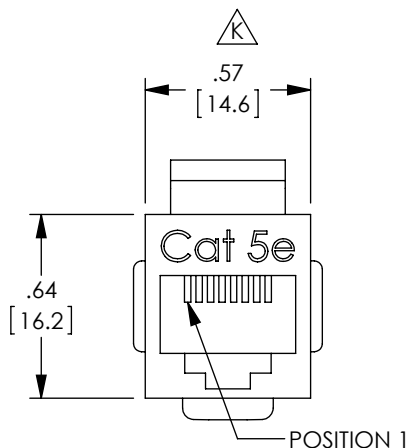


THE INFORMATION CONTAINED IN THIS DRAWING IS THE SOLE PROPERTY OF L-COM, INC. ANY REPRODUCTION IN PART OR WHOLE WITHOUT THE WRITTEN PERMISSION OF L-COM, INC. IS PROHIBITED.

REVISIONS			
REV	DESCRIPTION	DATE	APPROVED
G	ECN 4471: REVISED PRODUCT AND NEW FORMAT	8/19/10	D.FRISIELLO
H	ECN 6561: CHANGED THERMOPLASTIC FROM WHITE TO BLACK. ADDED ROHS	12/4/12	D.DESJARDIN
J	ECN 6881: REVISED PANEL OPENING. UPD DIMENSIONS. ADDED COMPLIANCE	6/14/13	D.DESJARDIN
K	ECN 7409: UPDATED TO MATCH NEW SUPPLIER SPEC	5/19/14	D.CASTRO



RECOMMENDED
PANEL OPENING

NOTES:

MATERIAL:
HOUSING: PC UL94V-0
COLOR: BLACK.
CONTACTS: PHOSPHOR BRONZE, 50 μINCHES GOLD PLATE

ELECTRICAL:
DC CURRENT RATING: 1.5 AMP
DIELECTRIC WITHSTANDING VOLTAGE: 1000 VOLTS AC.

MISCELLANEOUS:
WIRING: STRAIGHT THROUGH
OPERATING TEMPERATURE RANGE: -10°C TO +60°C.
APPLICATION: CATEGORY 5e
PANEL THICKNESS: .06" [1.6mm] MAX.

COMPONENT SHALL BE INDIVIDUALLY PACKAGED IN ACCORDANCE WITH L-COM SPECIFICATION PS-0031.

ALL DIMENSIONS ARE FOR REFERENCE ONLY.

REGULATORY COMPLIANCE:
CE2011/65/EU (RoHS DIRECTIVE)

UNLESS OTHERWISE SPECIFIED, DIMENSIONS ARE IN INCHES [mm] OVERALL CABLE LENGTH TOLERANCE: ≤12 [305] = +1 [25] / -0 >12 [305] ≤60 [1524] = +2 [51] / -0 >60 [1524] ≤120 [3048] = +4 [102] / -0 >120 [3048] ≤300 [7620] = +6 [152] / -0 >300 [7620] = +5% / -0%	APPROVALS	DATE	45 BEECHWOOD DRIVE NORTH ANDOVER, MA 01845
	DRAWN BY TJC	3/28/01	
ALL OTHER DIMENSIONAL TOLERANCES: .X = ± .2 [5.08] .XX = ± .02 [5.1] .XXX = ±.005 [1.3]	CHECKED BY DFP	3/28/01	CATEGORY TELECOM/MODULAR
	APPROVED BY ZW	3/29/01	PRODUCT DESCRIPTION CAT 5E KEYSTONE FEED-THRU CPLR
PROJECTION 	CONFIGURATION DETAILS OF UNDIMENSIONED FEATURES MAY VARY	COLOR VARIATIONS MAY OCCUR	SIZE A
			FSCM NO. 43321
			DWG. NO. TDG1026KC5
			REV. K
			SCALE: NONE
			CAD FILE: TDG1026KC5.SLDDRW
			SHEET 1 OF 1

X-ON Electronics

Largest Supplier of Electrical and Electronic Components

Click to view similar products for [Modular Connectors / Ethernet Connectors](#) category:

Click to view products by [L-Com](#) manufacturer:

Other Similar products are found below :

[RJE231881317T](#) [MP1010RX-1000](#) [MP44RX-1000](#) [GAX-3-66](#) [GAX-8-62](#) [93606-0253](#) [GD-A-44](#) [GDCX-PA-66-50](#) [GDCX-PN-64](#) [GDCX-PN-66](#) [GDCX-PN-66-50](#) [GDLX-A-66](#) [GDLX-A-88](#) [GDLX-N-66](#) [GDLX-S-88K](#) [GDTX-S-88-50](#) [GDX-PA-1010](#) [GLX-N-1010M-BLK](#) [GLX-N-44M](#) [GLX-S-88M-BLK](#) [GMX-N-1010](#) [GMX-S-1010](#) [GMX-S-66](#) [GMX-SMT2-N-1010](#) [GMX-SMT2-N-64-50](#) [GMX-SMT2-S6-88](#) [GMX-SMT4-N-88](#) [GPX-2-64](#) [GRT1-BT1-5](#) [GSGX-N-2-88](#) [GSX-NS2-88-3.05](#) [GSX-NS2-88-3.05-50](#) [GSX-NS-88-3.05-30](#) [GSX-NS-88-3.05-50](#) [GSX-NS-88-3.68](#) [1-1775629-2](#) [GWLX-S-88-GR](#) [GWLX-S9-88-YG](#) [1300500326](#) [1300500227](#) [1300530003](#) [1300570002](#) [1324640-4](#) [RJ11FTVC2G](#) [RJ11FTVC2N](#) [RJFTVX2SA1G](#) [132764-001](#) [1400000](#) [1413176](#) [1413235](#)