

THE INFORMATION CONTAINED IN THIS DRAWING IS THE SOLE PROPERTY OF L-COM, INC. ANY REPRODUCTION IN PART OR WHOLE WITHOUT THE WRITTEN PERMISSION OF L-COM, INC. IS PROHIBITED.

REVISIONS			
REV	DESCRIPTION	DATE	APPROVED
A	INITIAL RELEASE	12/07/16	D. DESJARDIN

D

D

C

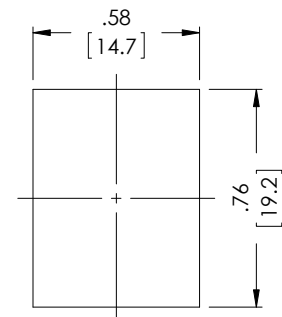
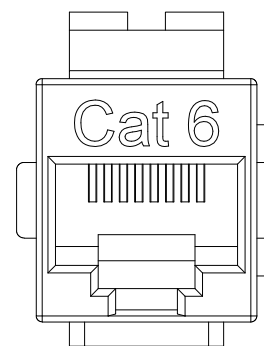
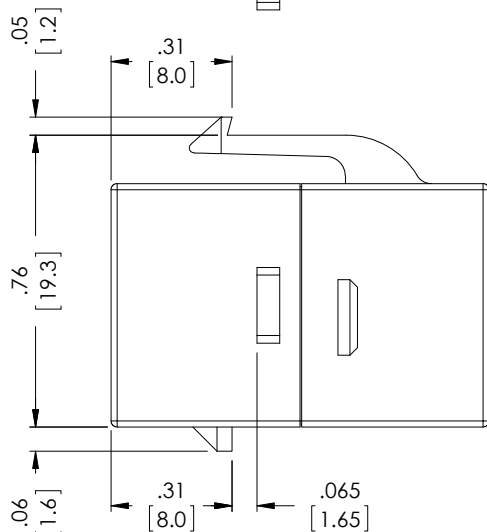
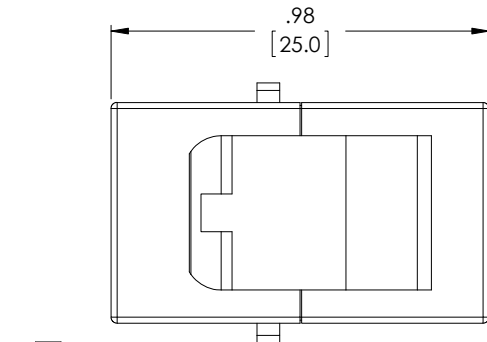
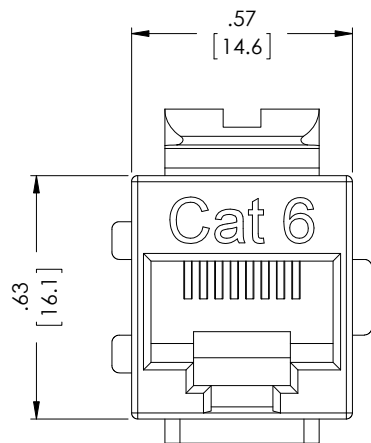
C

B

B

A

A



RECOMMENDED
PANEL OPENING

NOTES:

MATERIAL:
COUPLER HOUSING: PC, UL94V-0. COLOR: WHITE
CONTACTS: PHOSPHOR BRONZE, 50 μINCHES GOLD PLATE OVER 100 μINCHES NICKEL PLATE.

PHYSICAL CHARACTERISTICS:
INSERTION LIFE: 750 MATING CYCLES WITH FCC COMPLIANT 8P PLUG.
CONTACT FORCE: 100 GRAMS WITH FCC COMPLIANT 8P PLUG
PLUG RETENTION FORCE: 11LBF MIN.
OPERATING TEMPERATURE RANGE: -10°C TO 60°C
STORAGE TEMPERATURE RANGE: -40°C TO 68°C
HUMIDITY: 10%~90%RH

ELECTRICAL:
INSULATION RESISTANCE: 500 MΩ
DIELECTRIC WITHSTANDING VOLTAGE: 1000 VAC
DC CURRENT RATING: 1.5 AMPS
DC RESISTANCE: 0.1Ω
CONTACT RESISTANCE: 20mΩ.

MISCELLANEOUS:
APPLICATION: CATEGORY 6.
WIRING: STRAIGHT THROUGH.
PANEL THICKNESS: .065" [1.65mm] MAX.
ALL DIMENSIONS ARE FOR REFERENCE ONLY.

PACKAGING:
COMPONENT SHALL BE INDIVIDUALLY PACKAGED IN ACCORDANCE WITH L-COM SPECIFICATION PS-0031.

REGULATORY COMPLIANCE:
CE2011/65/EU(RoHS DIRECTIVE)

UNLESS OTHERWISE SPECIFIED, DIMENSIONS ARE IN INCHES [mm] OVERALL CABLE LENGTH TOLERANCE: ≤12 [305] = +1 [25] / -0 >12 [305] ≤60 [1524] = +2 [51] / -0 >60 [1524] ≤120 [3048] = +4 [102] / -0 >120 [3048] ≤300 [7620] = +6 [152] / -0 >300 [7620] = +5% / -0%	APPROVALS	DATE		50 HIGH STREET NORTH ANDOVER, MA 01845		
	DRAWN BY D. DESJARDIN	12/05/16				
ALL OTHER DIMENSIONAL TOLERANCES: .X = ± .2 [5.08] .XX = ± .02 [51] .XXX = ±.005 [1.3]	CHECKED BY D. FRISIELLO	12/06/16	CATEGORY TELECOM/MODULAR	PRODUCT DESCRIPTION CAT 6 RJ45 MINI CPLR KEYSTONE STYLE W/ LATCH		
	APPROVED BY D. GUITADAURO	12/07/16				
PROJECTION 	CONFIGURATION DETAILS OF UNDIMENSIONED FEATURES MAY VARY	COLOR VARIATIONS MAY OCCUR	SIZE A	FSCM NO. 43321	DWG. NO. TDG1026KC6-MINI	REV. A
SCALE: NONE			CAD FILE: TDG1026KC6-MINI.SLDDRW		SHEET 1 OF 1	

X-ON Electronics

Largest Supplier of Electrical and Electronic Components

Click to view similar products for [L-Com](#) manufacturer:

Other Similar products are found below :

[27-500-010](#) [AL-ECF504-AB](#) [ANM-1406](#) [AOCQP28100-007](#) [AOCQSP40-010](#) [AOCSP10-002](#) [BA35FF](#) [BAK400](#) [BC030B](#) [BC030R](#) [BC25](#)
[BC40](#) [BC50](#) [BC55](#) [BTB5MD](#) [CA3A-90DA-05M](#) [CA3A-90LA-1M](#) [CA3A-90RA-05M](#) [CA3A-90RMICB-05M](#) [CA3N030](#) [CA3N050](#)
[CA90DA-90DB-03M](#) [CAPUSB-A](#) [CAPUSB-B](#) [CAP-WPRJ](#) [CA-RSPNMB010](#) [CASATAL-18](#) [CASATARL-12](#) [CAUALAL-1M](#)
[CAUALAL-2M](#) [CAUALAL-3M](#) [CAUALB-1M](#) [CAUBLKAA-2M](#) [CAUBLKAB-05M](#) [CAUBLKAB-1M](#) [CAUBLKAB-3M](#) [CAUBLKAB-](#)
[4M](#) [CAUBLKAB-5M](#) [CC58C-10](#) [CC58C-12](#) [CC58C-2](#) [CC58C-5](#) [CC59A-25](#) [CG-C6A-MF](#) [CG-C6-MF](#) [CGDVIMM-10](#) [CGSVGAMM-10](#)
[CIB24-05M](#) [CIB24-1M](#) [CIB24-2M](#)