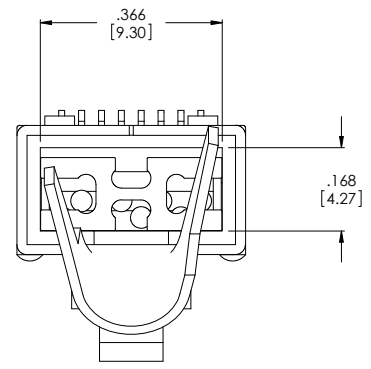
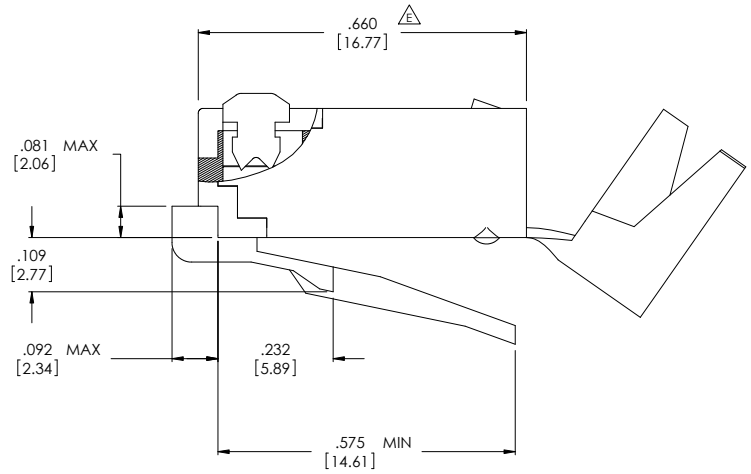
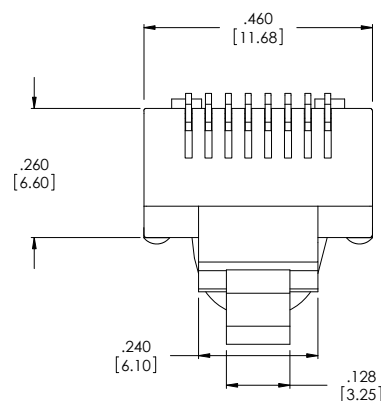
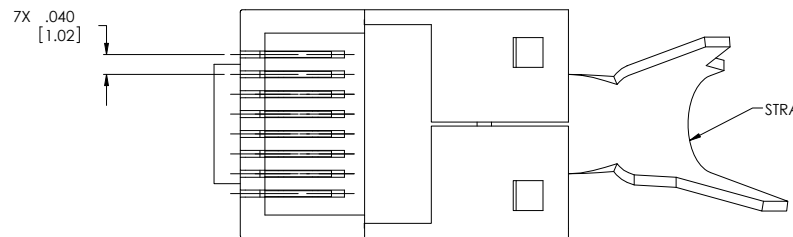


THE INFORMATION CONTAINED IN THIS DRAWING IS THE SOLE PROPERTY OF L-COM, INC. ANY REPRODUCTIONS IN PART OR WHOLE WITHOUT THE WRITTEN PERMISSION OF L-COM, INC. IS PROHIBITED.

REVISIONS			
REV	DESCRIPTION	DATE	CHANGED BY
B	ECN#2347: CONDUCTOR MAX OD WAS .037"	03/24/06	D. PARHAM
C	ECN 2587: REDIMENSION AND REFORMAT	10/30/2006	J. KIEZULAS
D	ECN3213: ADDED PACKAGING SPECIFICATION NOTE	03/03/08	D. PARHAM
E	ECN#3611: 660 WAS 418	08/27/12	D. PARHAM



**NOTES:**

**MATERIAL:**  
HOUSING, LOAD BAR, PAIR SEPARATOR: POLYCARBONATE, CLEAR, UL94V-0  
CONTACTS: PHOSPHOR BRONZE  
SHIELD/STRAIN RELIEF: BRASS

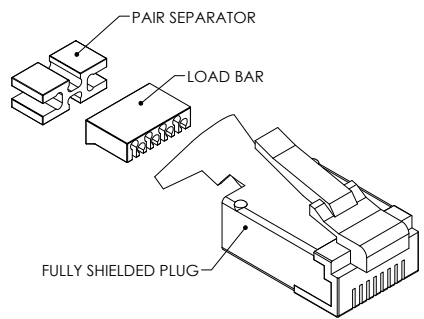
**FINISH:**  
CONTACTS: 50 MICROINCHES [1.27 MICRON] MIN. GOLD IN CONTACT AREA  
OVER 100 MICROINCHES [2.54 MICRON] MIN. NICKEL PLATE OVERALL.  
CONTACT MATING SURFACE TO BE ELECTROPOLISHED  
SHIELD/STRAIN RELIEF: 100 MICROINCHES [2.54 MICRON] NICKEL

**ELECTRICAL:**  
VOLTAGE: 125 VAC. MAX.  
CURRENT: 1.5 AMPS MAX.

**MECHANICAL:**  
CONTACT STYLE: 2 PRONG  
COMPATIBLE WITH STRANDED AND SOLID CONDUCTORS  
CONDUCTOR RANGE: 24 - 26 AWG  
MAX. CONDUCTOR INSULATION DIAMETER: .042 [1.07]  
PARTS SHALL CONFORM TO TIA-1096

**MISCELLANEOUS:**  
OPERATING TEMPERATURE RANGE: -40°C TO +125°C  
TERMINATED CONTACT HEIGHT: .237±.005 [6.02±.13]  
FOR TERMINATION OR TOOLING INFORMATION PLEASE VISIT  
THE APPROPRIATE PRODUCT PAGE AT WWW.L-COM.COM  
PARTS SHALL BE ROHS COMPLIANT

PACKAGE PER PS-0027



UNLESS OTHERWISE SPECIFIED,  
DIMENSIONS ARE IN INCHES (mm)

OVERALL CABLE LENGTH TOLERANCES:  
≤12 [305] ≤60 [1524] = +.011 / -0  
>12 [305] ≤120 [3048] = +.012 / -0  
>120 [3048] ≤300 [7620] = +.0152 / -0  
>300 [7620] = +.015 / -.015

ALL OTHER DIMENSIONAL TOLERANCES:  
X = ±.2  
XX = ±.02  
XXX = ±.005

PROJECTION

APPROVALS	DATE
DRAWN BY D. PARHAM	03/09/2006
CHECKED BY J. KIEZULAS	03/22/2006
APPROVED BY C. MCCORMICK	03/22/2006

**L-com** Global Connectivity 45 BEECHWOOD DRIVE NORTH ANDOVER, MA 01845

CATEGORY: TELECOM/MODULAR

PRODUCT DESCRIPTION: RJ45 CAT6 SHLD PLUG W/ STRN RL

SIZE	PSCM NO.	DWG. NO.	REV.
<b>B</b>	<b>43321</b>	TDS8PC6	<b>E</b>

SCALE: 4:1 CAD FILE: TDS8PC6.SLDDRW SHEET 1 OF 1

## X-ON Electronics

Largest Supplier of Electrical and Electronic Components

*Click to view similar products for [Modular Connectors / Ethernet Connectors](#) category:*

*Click to view products by [L-Com](#) manufacturer:*

Other Similar products are found below :

[RJE231881317T](#) [MP1010RX-1000](#) [MP44RX-1000](#) [GAX-3-66](#) [GAX-8-62](#) [93606-0253](#) [GD-A-44](#) [GDCX-PA-66-50](#) [GDCX-PN-64](#) [GDCX-PN-66](#) [GDCX-PN-66-50](#) [GDLX-A-66](#) [GDLX-A-88](#) [GDLX-N-66](#) [GDLX-S-88K](#) [GDTX-S-88-50](#) [GDX-PA-1010](#) [GLX-N-1010M-BLK](#) [GLX-N-44M](#) [GLX-S-88M-BLK](#) [GMX-N-1010](#) [GMX-S-1010](#) [GMX-S-66](#) [GMX-SMT2-N-1010](#) [GMX-SMT2-N-64-50](#) [GMX-SMT2-S6-88](#) [GMX-SMT4-N-88](#) [GPX-2-64](#) [GRT1-BT1-5](#) [GSGX-N-2-88](#) [GSX-NS2-88-3.05](#) [GSX-NS2-88-3.05-50](#) [GSX-NS-88-3.05-30](#) [GSX-NS-88-3.05-50](#) [GSX-NS-88-3.68](#) [1-1775629-2](#) [GWLX-S-88-GR](#) [GWLX-S9-88-YG](#) [1300500326](#) [1300500227](#) [1300530003](#) [1300570002](#) [1324640-4](#) [RJ11FTVC2G](#) [RJ11FTVC2N](#) [RJFTVX2SA1G](#) [132764-001](#) [1400000](#) [1413176](#) [1413235](#)