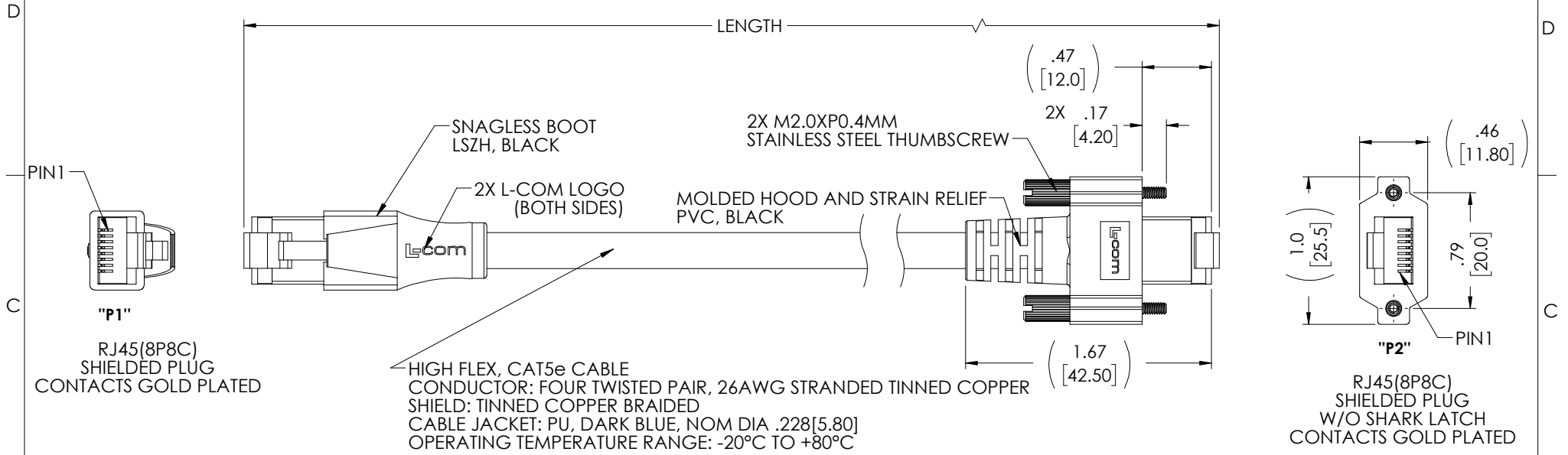


THE INFORMATION CONTAINED IN THIS DRAWING IS THE SOLE PROPERTY OF L-COM, INC. ANY REPRODUCTION IN PART OR WHOLE WITHOUT THE WRITTEN PERMISSION OF L-COM, INC. IS PROHIBITED.

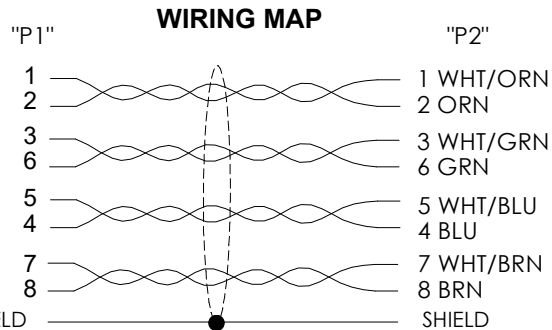
REVISIONS			
REV	DESCRIPTION	DATE	APPROVED
A	REV A DRAWING RELEASED	02/28/18	JLABOY



"P1"
RJ45(8P8C)
SHIELDED PLUG
CONTACTS GOLD PLATED

HIGH FLEX, CAT5e CABLE
CONDUCTOR: FOUR TWISTED PAIR, 26AWG STRANDED TINNED COPPER
SHIELD: TINNED COPPER BRAIDED
CABLE JACKET: PU, DARK BLUE, NOM DIA .228[5.80]
OPERATING TEMPERATURE RANGE: -20°C TO +80°C

"P2"
RJ45(8P8C)
SHIELDED PLUG
W/O SHARK LATCH
CONTACTS GOLD PLATED



PART NUMBER	LENGTH	
	FEET	METERS
TRG515-P6D-1M	3.28	1.0
TRG515-P6D-2M	6.56	2.0
TRG515-P6D-3M	9.84	3.0
TRG515-P6D-4M	13.12	4.0
TRG515-P6D-5M	16.41	5.0
TRG515-P6D-10M	32.82	10.0

NOTES:

1. PLUG CONFORMS TO TIA-1096
2. CABLE ASSEMBLY SHALL BE TESTED FOR CONTINUITY.
3. CABLE ASSEMBLY SHALL BE INDIVIDUALLY PACKAGED IN ACCORDANCE WITH L-COM SPECIFICATION PS-0031.

REGULATORY COMPLIANCE:
CE2011/65/EU(RoHS DIRECTIVE)

UNLESS OTHERWISE SPECIFIED, DIMENSIONS ARE IN INCHES [mm] OVERALL CABLE LENGTH TOLERANCE: ≤12 [305] = +1 [25] / -0 >12 [305] ≤60 [1524] = +2 [51] / -0 >60 [1524] ≤120 [3048] = +4 [102] / -0 >120 [3048] ≤300 [7620] = +6 [152] / -0 >300 [7620] = +3% / -0% ALL OTHER DIMENSIONAL TOLERANCES: .X = ±.2 [5.08] .XX = ±.02 [1.51] .XXX = ±.005 [1.13]	APPROVALS DRAWN BY D.CUI CHECKED BY W.LI APPROVED BY S.PAN	DATE 02/03/18 02/03/18 02/03/18	50 HIGH STREET NORTH ANDOVER, MA 01845	
	CONFIGURATION DETAILS OF UNDIMENSIONED FEATURES MAY VARY			CATEGORY TELECOM/MODULAR
	PROJECTION 	COLOR VARIATIONS MAY OCCUR	SIZE A	PRODUCT DESCRIPTION C5e RJ45/GigE S/UTP 26STR PUR HIFLX DBLU
	REF	SCALE: NONE	CAD FILE: TRG515-P6D.SLDDRW	DWG. NO. TRG515-P6D REV. A

X-ON Electronics

Largest Supplier of Electrical and Electronic Components

Click to view similar products for [Ethernet Cables / Networking Cables](#) category:

Click to view products by [L-Com](#) manufacturer:

Other Similar products are found below :

[MCJB2-10P6Q7-120](#) [84909-0204](#) [1200700174](#) [1200860368](#) [1410147](#) [E16A06002M030](#) [E200102-009-S1](#) [AX105346-EW](#) [MT14-187L](#)
[MWDM2L-51GS-6J1-2.82B](#) [190-038045-01](#) [NK5EPC1GRY](#) [NK5EPC4Y](#) [NK5EPC8BLY](#) [NK5EPC9YLY](#) [1969343-6](#) [ICD056GVP163D-C0](#)
[C5UMB3FBG](#) [2142758-2](#) [2168427-2](#) [21949-1](#) [2J1866A](#) [RJF SFTP 5E 0500](#) [AX100351](#) [C601106004](#) [CA21106004](#) [CA21106010](#)
[CA21109007](#) [CA21109010](#) [UTPCH14GYG](#) [45-5684](#) [09459711142](#) [100345-1301](#) [MWDM2L-25P-8K1-.500B](#) [MWDM6L-31S-6C4-.375H](#)
[73-7793-1](#) [74764-1101](#) [WHU18-3636-048](#) [RJF2SA2G05100BTX](#) [1R4000A39M030](#) [190-038045-00-SP328](#) [UTPSP6GYG](#) [UTPSP2GYG](#)
[UTPSP10GYG](#) [UTPCH5GYG](#) [UTP28SP15M](#) [UTP28CH100OR](#) [74764-2301](#) [E11A06004M300](#) [E66A06002M020](#)