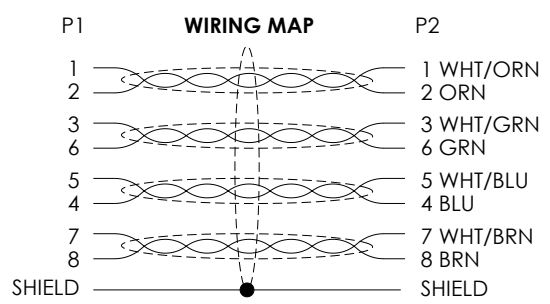
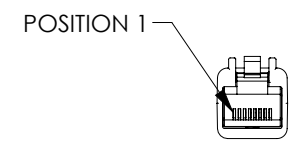
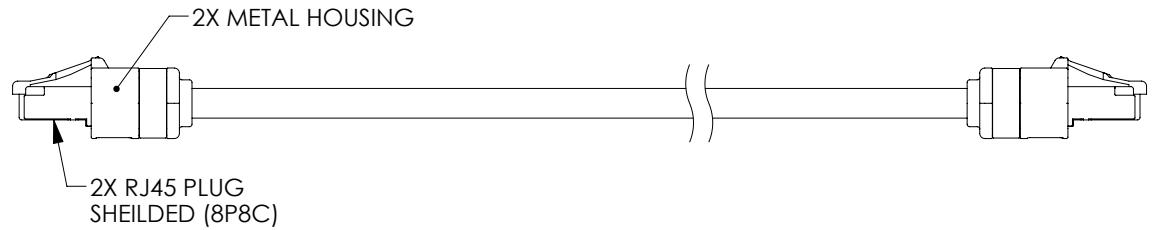
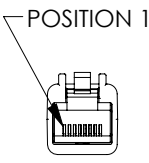
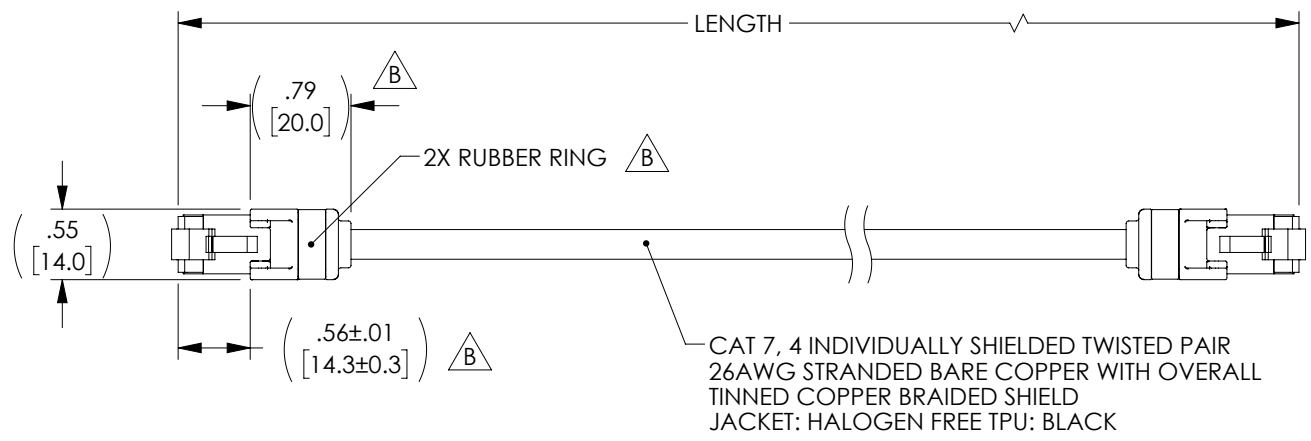


THE INFORMATION CONTAINED IN THIS DRAWING IS THE SOLE PROPERTY OF L-COM, INC. ANY REPRODUCTION IN PART OR WHOLE WITHOUT THE WRITTEN PERMISSION OF L-COM, INC. IS PROHIBITED.

REVISIONS			
REV	DESCRIPTION	DATE	APPROVED
A	REV A DRAWING RELEASED	11/29/2018	DFRISIELLO
B	ECN 9706: REVISED REAR HOUSING AND DIMENSIONS	02/21/2019	DFRISIELLO



MODEL NUMBER	LENGTH METERS [FEET]
TRG795MZ-01	1.0 [3.28]
TRG795MZ-02	2.0 [6.56]
TRG795MZ-03	3.0 [9.84]
TRG795MZ-05	5.0 [16.41]
TRG795MZ-10	10.0 [32.81]

NOTES:

1. CABLE ASSEMBLY SHALL BE TESTED FOR CONTINUITY.
2. CABLE IS UV & OIL RESISTANT WITH UL AWM 20622 FLAME RESISTANCE.
3. CABLE ASSEMBLY SHALL BE INDIVIDUALLY PACKAGED.

UNLESS OTHERWISE SPECIFIED, DIMENSIONS ARE IN INCHES [mm]

OVERALL CABLE LENGTH TOLERANCE:
 ≤ 12 [305] = +1 [25] / -0
 >12 [305] ≤ 60 [1524] = +2 [51] / -0
 >60 [1524] ≤ 120 [3048] = +4 [102] / -0
 >120 [3048] ≤ 300 [7620] = +6 [152] / -0
 >300 [7620] = +5% / -0%

ALL OTHER DIMENSIONAL TOLERANCES:
.X = ± .2 [5.08]
.XX = ± .02 [5.1]
.XXX = ± .005 [1.3]

PROJECTION

APPROVALS	DATE
DRAWN BY DFRISIELLO	11/28/2018
CHECKED BY DGUTTADAUR	11/28/2018
APPROVED BY DGUTTADAUR	11/28/2018

L-com Global Connectivity
50 HIGH STREET
NORTH ANDOVER, MA 01845

CATEGORY: TELECOM/MODULAR

PRODUCT DESCRIPTION: Cat 7 GigE-RJ45 S/FTP LSZH TPU BLK

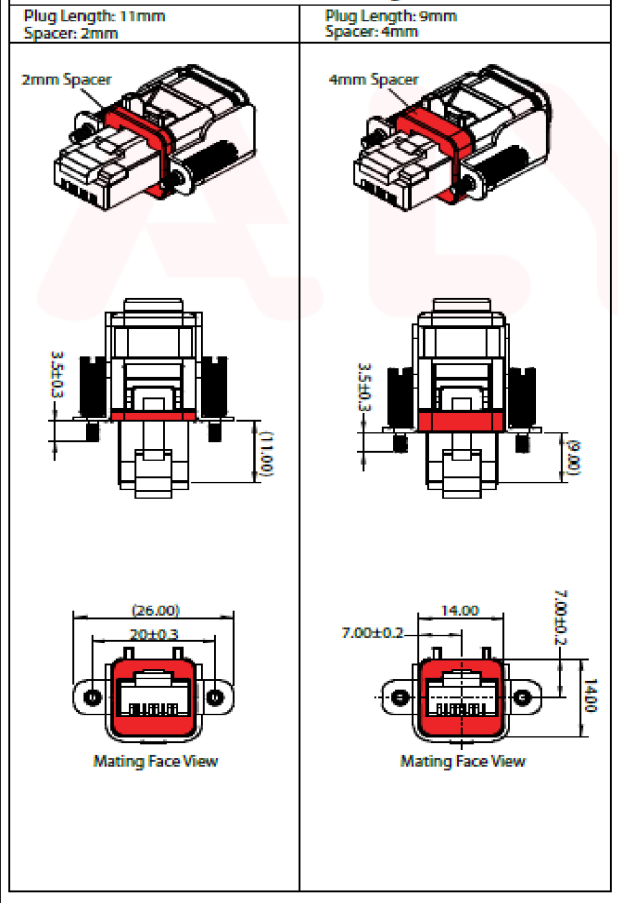
SIZE A	FSCM NO. 43321	DWG. NO. TRG795MZ	REV. B
------------------	--------------------------	----------------------	------------------

SCALE: NONE | CAD FILE: TRG795MZ.SLDDRW | SHEET 1 OF 2

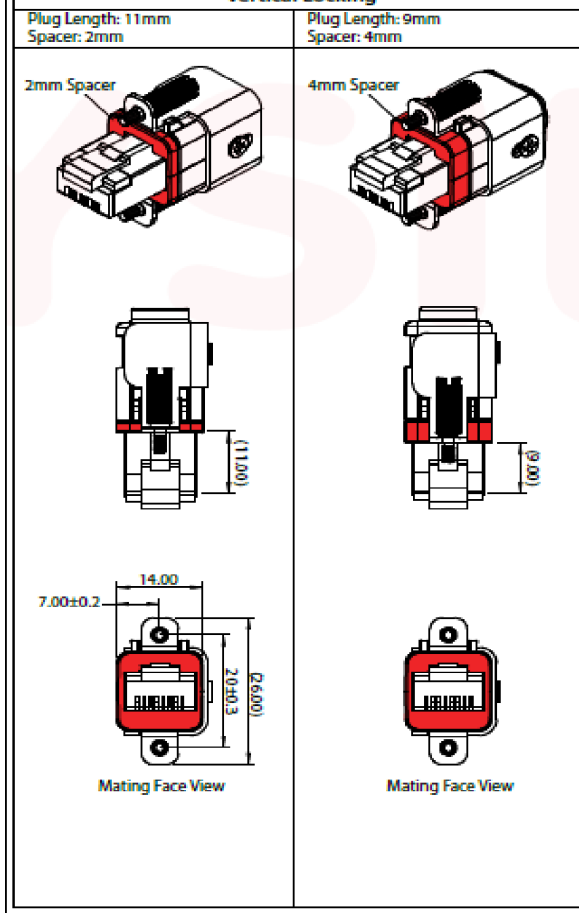
THE INFORMATION CONTAINED IN THIS DRAWING IS THE SOLE PROPERTY OF L-COM, INC. ANY REPRODUCTION IN PART OR WHOLE WITHOUT THE WRITTEN PERMISSION OF L-COM, INC. IS PROHIBITED.

PLUG LENGTH & LOCKING BRACKET CUSTOMIZATION:

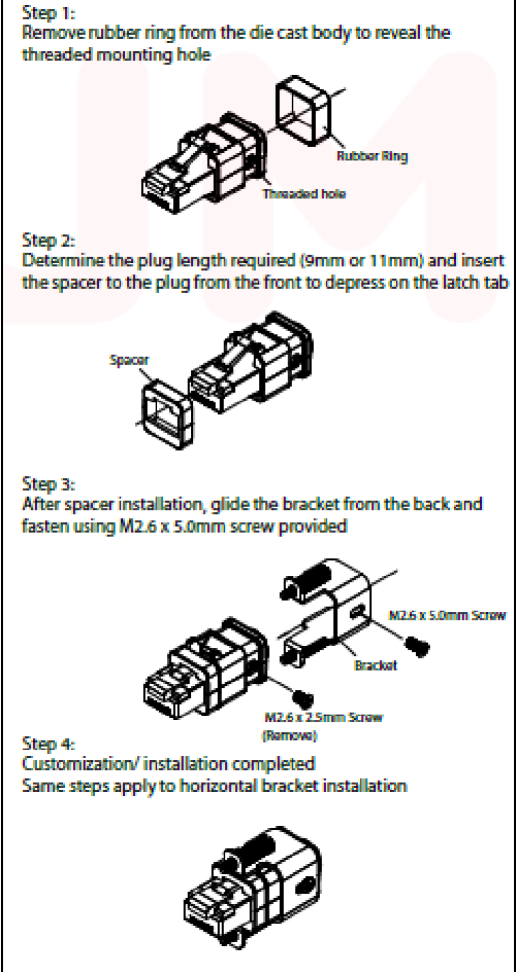
Horizontal Locking



Vertical Locking

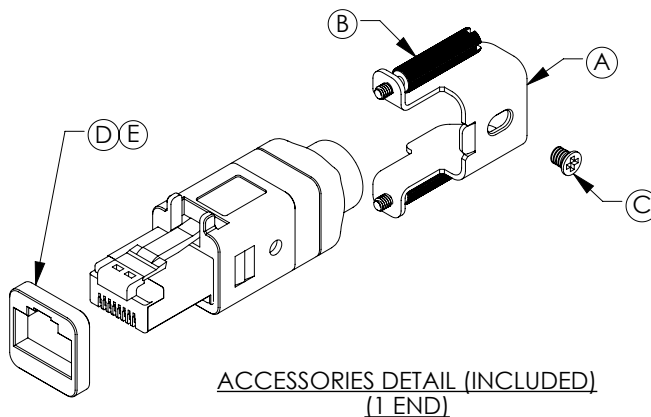


Bracket Installation Guide line



ITEM LETTER	SEPARATE ACCESSORIES	QTY
A	SHEET METAL BRACKET	1
B	M2 THUMBSCREW	2
C	M2.6x5.0mm FLAT HD SCREW	1
D	SPACER 2mm	1
E	SPACER 4mm	1

NOTE:
ALL DIMENSIONS ARE IN MILLIMETERS.



L-com Global Connectivity		50 HIGH STREET NORTH ANDOVER, MA 01845	
CATEGORY			
TELECOM/MODULAR			
PRODUCT DESCRIPTION			
Cat 7 GigE-RJ45 S/STP LSZH TPU BLK			
SIZE	CAGE CODE	DWG. NO.	REV.
A	43321	TRG795MZ	B
SCALE: NONE		CAD FILE: TRG795MZ.SLDDRW	SHEET 2 OF 2

X-ON Electronics

Largest Supplier of Electrical and Electronic Components

Click to view similar products for [L-Com](#) manufacturer:

Other Similar products are found below :

[27-500-010](#) [AL-ECF504-AB](#) [ANM-1406](#) [AOCQP28100-007](#) [AOCQSP40-010](#) [AOCSP10-002](#) [BA35FF](#) [BAK400](#) [BC030B](#) [BC030R](#) [BC25](#)
[BC40](#) [BC50](#) [BC55](#) [BTB5MD](#) [CA3A-90DA-05M](#) [CA3A-90LA-1M](#) [CA3A-90RA-05M](#) [CA3A-90RMICB-05M](#) [CA3N030](#) [CA3N050](#)
[CA90DA-90DB-03M](#) [CAPUSB-A](#) [CAPUSB-B](#) [CAP-WPRJ](#) [CA-RSPNMB010](#) [CASATAL-18](#) [CASATARL-12](#) [CAUALAL-1M](#)
[CAUALAL-2M](#) [CAUALAL-3M](#) [CAUALB-1M](#) [CAUBLKAA-2M](#) [CAUBLKAB-05M](#) [CAUBLKAB-1M](#) [CAUBLKAB-3M](#) [CAUBLKAB-](#)
[4M](#) [CAUBLKAB-5M](#) [CC58C-10](#) [CC58C-12](#) [CC58C-2](#) [CC58C-5](#) [CC59A-25](#) [CG-C6A-MF](#) [CG-C6-MF](#) [CGDVIMM-10](#) [CGSVGAMM-10](#)
[CIB24-05M](#) [CIB24-1M](#) [CIB24-2M](#)