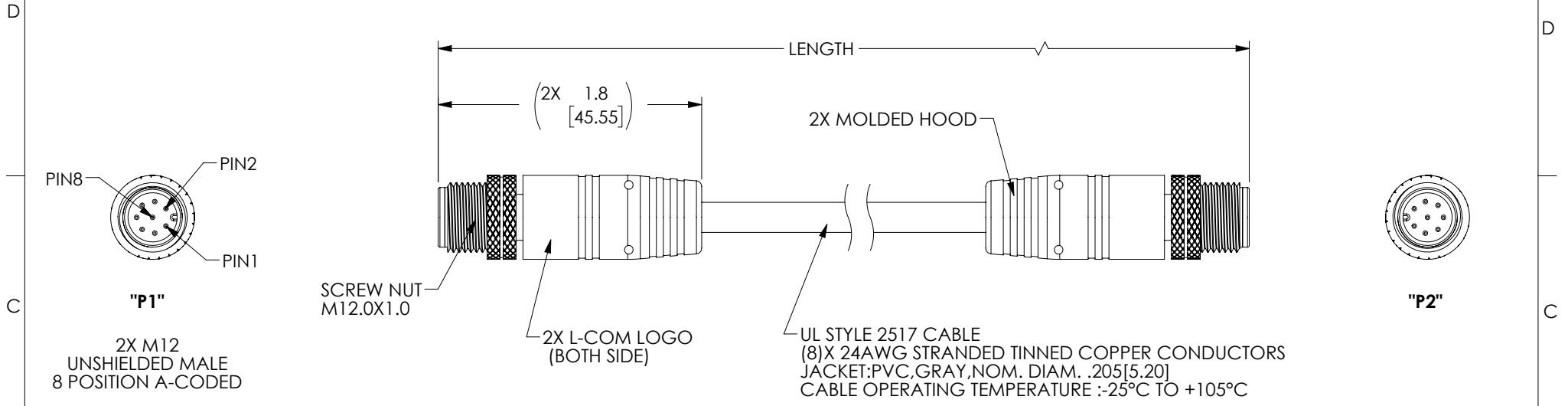


THE INFORMATION CONTAINED IN THIS DRAWING IS THE SOLE PROPERTY OF L-COM, INC. ANY REPRODUCTION IN PART OR WHOLE WITHOUT THE WRITTEN PERMISSION OF L-COM, INC. IS PROHIBITED.

REVISIONS			
REV	DESCRIPTION	DATE	APPROVED
A	REV A DRAWING RELEASED	04/18/2018	DGUTTADAUR



**NOTES**

**MATERIAL:**  
 MOLDED HOOD:PVC,BLACK,UL94 V-0,UV RESISTANCE  
 INSULATOR: TPU,BLACK  
 SCREW NUT: BRASS, NICKEL PLATE  
 CONTACTS: PHOSPHOR BRONZE, 15µ" MIN. GOLD PLATE

**ELECTRICAL:**  
 NOMINAL VOLTAGE RATING: 30 V AC/DC  
 MAX CURRENT: 2A

**APPLICATION:**  
 INGRESS PROTECTION RATING IS IP67 (MATED).

**ENVIRONMENTAL:**  
 OPERATING TEMPERATURE RANGE: -25°C TO +80°C  
 CABLE JACKET RESISTANCE: SUNLIGHT ,MOISTURE  
 CABLE JACKET FLAME RATING:VW-1

**MISCELLANEOUS**  
 CABLE ASSEMBLIES TO BE TESTED FOR CONTINUITY  
 CABLE ASSEMBLY SHALL BE INDIVIDUALLY PACKAGED IN ACCORDANCE WITH L-COM SPECIFICATION PS-0031.

**WIRING MAP**

"P1"	"P2"
1	1 WHITE
2	2 BROWN
3	3 GREEN
4	4 YELLOW
5	5 GRAY
6	6 PINK
7	7 BLUE
8	8 RED

PART NUMBER	LENGTH	
	FEET	METERS
TRG881-C4G-05M	1.64	0.5
TRG881-C4G-1M	3.28	1.0
TRG881-C4G-2M	6.56	2.0
TRG881-C4G-3M	9.84	3.0
TRG881-C4G-5M	16.41	5.0
TRG881-C4G-10M	32.82	10.0

UNLESS OTHERWISE SPECIFIED, DIMENSIONS ARE IN INCHES [mm] OVERALL CABLE LENGTH TOLERANCE: ≤12 [305] = +1 [25] / -0 >12 [305] ≤60 [1524] = +2 [51] / -0 >60 [1524] ≤120 [3048] = +4 [102] / -0 >120 [3048] ≤300 [7620] = +6 [152] / -0 >300 [7620] = +5% / -0% ALL OTHER DIMENSIONAL TOLERANCES: .X = ± .2 [5.08] .XX = ± .02 [51] .XXX = ±.005 [13]	APPROVALS	DATE		50 HIGH STREET NORTH ANDOVER, MA 01845
	DRAWN BY DCUI	12/04/2018		
PROJECTION	APPROVED BY DGUTTADAUR	12/04/2018	CATEGORY	
	CONFIGURATION DETAILS OF UNDIMENSIONED FEATURES MAY VARY		TELECOM/MODULAR	
	COLOR VARIATIONS MAY OCCUR		PRODUCT DESCRIPTION	
REF			M12 8P A-CODE MALE/MALE UNSHIELDED 24AWG PVC JACKET GRAY	
			SIZE <b>A</b>	FSCM NO. <b>43321</b>
			DWG. NO. <b>TRG881-C4G</b>	REV. <b>A</b>
			SCALE: NONE	CAD FILE: TRG881-C4G.SLDDRW
				SHEET 1 OF 1

## X-ON Electronics

Largest Supplier of Electrical and Electronic Components

*Click to view similar products for [Sensor Cables / Actuator Cables](#) category:*

*Click to view products by [L-Com](#) manufacturer:*

Other Similar products are found below :

[60963](#) [60964](#) [703000D02F2002](#) [703001D02F0602](#) [703001D02F1201](#) [703001D02F300](#) [704000D02F120](#) [MDM21SH001F](#) [773032K02F030](#)  
[802027107404-1](#) [802027213811-1](#) [804001A09M150](#) [805001A09M0502](#) [84914-0235](#) [84914-0237](#) [885030A09M010](#) [8R4006A18M010](#)  
[8R4J30E03C3003](#) [1200651713](#) [1200660844](#) [1200660845](#) [1200661173](#) [1200680071](#) [1200720053](#) [1200720081](#) [1200720094](#) [1200720099](#)  
[1200720217](#) [1200800231](#) [1200860125](#) [1200870123](#) [1200660183](#) [1200660782](#) [1200660849](#) [1200661295](#) [1200661297](#) [1200661342](#)  
[1200661343](#) [1200670080](#) [1200680331](#) [1200720252](#) [1200720255](#) [1200720597](#) [1200730184](#) [1200860344](#) [1200870359](#) [1200870643](#)  
[1200980008](#) [1200980031](#) [1210502211](#)