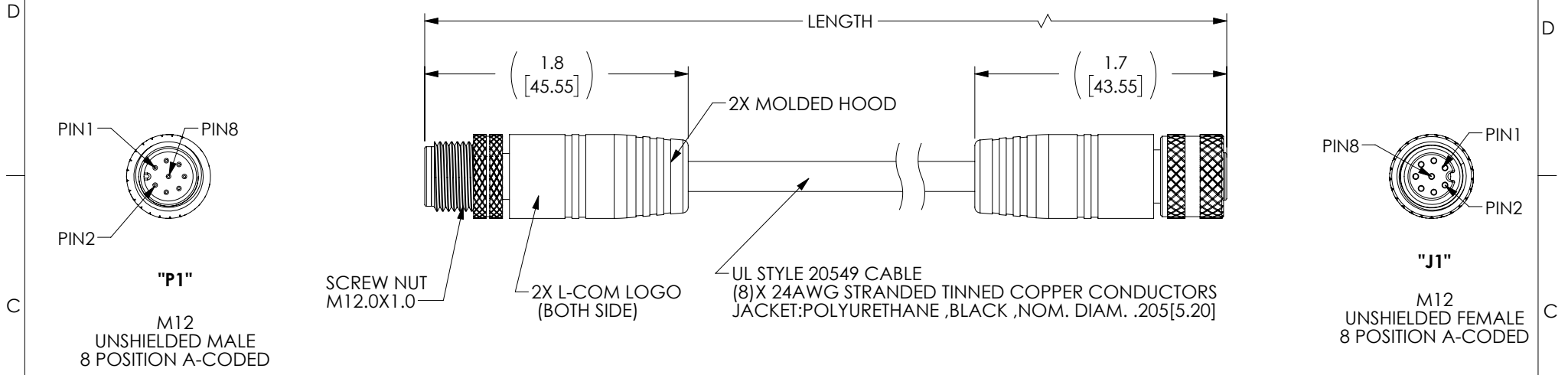


THE INFORMATION CONTAINED IN THIS DRAWING IS THE SOLE PROPERTY OF L-COM, INC. ANY REPRODUCTION IN PART OR WHOLE WITHOUT THE WRITTEN PERMISSION OF L-COM, INC. IS PROHIBITED.

REVISIONS			
REV	DESCRIPTION	DATE	APPROVED
A	REV A DRAWING RELEASED	04/18/2019	DGUTTADAUR



NOTES

MATERIAL:
 MOLDED HOOD:THERMOPLASTIC POLYURETHANE,BLACK
 INSULATOR:TPU,BLACK
 SCREW NUT:BRASS, NICKEL PLATE
 CONTACTS:PHOSPHOR BRONZE, 15μ" MIN. GOLD PLATE

ELECTRICAL:
 NOMINAL VOLTAGE RATING:30 V AC/DC
 MAX CURRENT:2A

APPLICATION:
 INGRESS PROTECTION RATING IS IP67 (MATED).

ENVIRONMENTAL:
 OPERATING TEMPERATURE RANGE: -25°C TO +80°C
 CABLE JACKET RESISTANCE: OIL, SUNLIGHT, AND CHEMICAL RESISTANT
 CABLE JACKET FLAME RATING:VW-1

MISCELLANEOUS
 CABLE ASSEMBLIES TO BE TESTED FOR CONTINUITY
 CABLE ASSEMBLY SHALL BE INDIVIDUALLY PACKAGED IN ACCORDANCE WITH L-COM SPECIFICATION PS-0031.

"P1" WIRING MAP "J1"		
1	_____	1 WHITE
2	_____	2 BROWN
3	_____	3 GREEN
4	_____	4 YELLOW
5	_____	5 GRAY
6	_____	6 PINK
7	_____	7 BLUE
8	_____	8 RED

PART NUMBER	LENGTH	
	FEET	METERS
TRG883-P4B-05M	1.64	0.5
TRG883-P4B-1M	3.28	1.0
TRG883-P4B-2M	6.56	2.0
TRG883-P4B-3M	9.84	3.0
TRG883-P4B-5M	16.41	5.0
TRG883-P4B-10M	32.82	10.0

UNLESS OTHERWISE SPECIFIED, DIMENSIONS ARE IN INCHES [mm] OVERALL CABLE LENGTH TOLERANCE: ≤12 [305] = +1 [25] / -0 >12 [305] ≤60 [1524] = +2 [51] / -0 >60 [1524] ≤120 [3048] = +4 [102] / -0 >120 [3048] ≤300 [7620] = +6 [152] / -0 >300 [7620] = +5% / -0% ALL OTHER DIMENSIONAL TOLERANCES: .X = ± .2 [5.08] .XX = ± .02 [51] .XXX = ±.005 [13]	APPROVALS DRAWN BY DCUI	DATE 12/04/2018		50 HIGH STREET NORTH ANDOVER, MA 01845	
	CHECKED BY SPAN	DATE 12/04/2018		CATEGORY TELECOM/MODULAR	
	APPROVED BY DGUTTADAUR	DATE 12/04/2018	PRODUCT DESCRIPTION M12 8P A-CODE MALE/FEMALE UNSHIELDED 24AWG PUR JACKET BLK	SIZE A	FSCM NO. 43321
	PROJECTION 	CONFIGURATION DETAILS OF UNDIMENSIONED FEATURES MAY VARY	DWG. NO. TRG883-P4B	REF	SCALE: NONE CAD FILE: TRG883-P4B.SLDDRW

X-ON Electronics

Largest Supplier of Electrical and Electronic Components

Click to view similar products for [Sensor Cables / Actuator Cables](#) category:

Click to view products by [L-Com](#) manufacturer:

Other Similar products are found below :

[60963](#) [60964](#) [703000D02F2002](#) [703001D02F0602](#) [703001D02F1201](#) [703001D02F300](#) [704000D02F120](#) [MDM21SH001F](#) [773032K02F030](#)
[802027107404-1](#) [802027213811-1](#) [804001A09M150](#) [805001A09M0502](#) [84914-0235](#) [84914-0237](#) [885030A09M010](#) [8R4006A18M010](#)
[8R4J30E03C3003](#) [1200651713](#) [1200660844](#) [1200660845](#) [1200661173](#) [1200680071](#) [1200720053](#) [1200720081](#) [1200720094](#) [1200720099](#)
[1200720217](#) [1200800231](#) [1200860125](#) [1200870123](#) [1200660183](#) [1200660782](#) [1200660849](#) [1200661295](#) [1200661297](#) [1200661342](#)
[1200661343](#) [1200670080](#) [1200680331](#) [1200720252](#) [1200720255](#) [1200720597](#) [1200730184](#) [1200860344](#) [1200870359](#) [1200870643](#)
[1200980008](#) [1200980031](#) [1210502211](#)