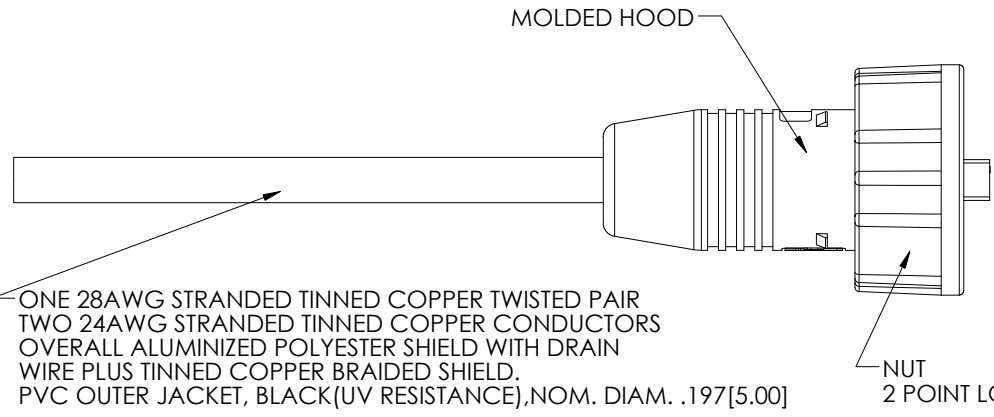
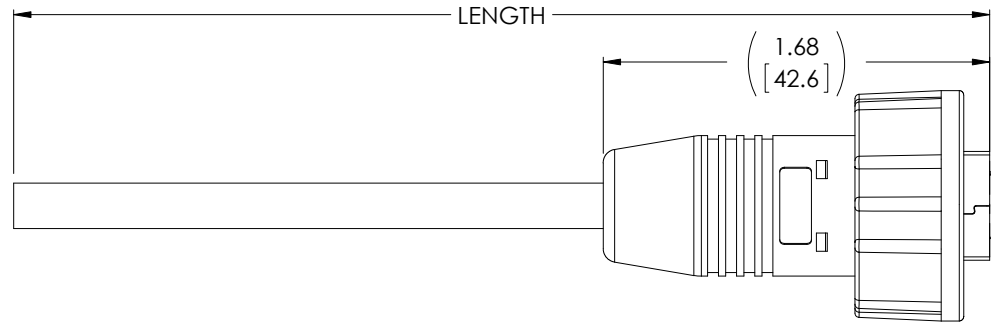
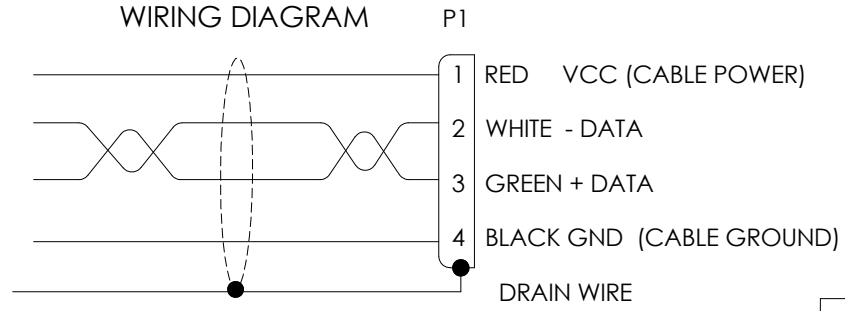
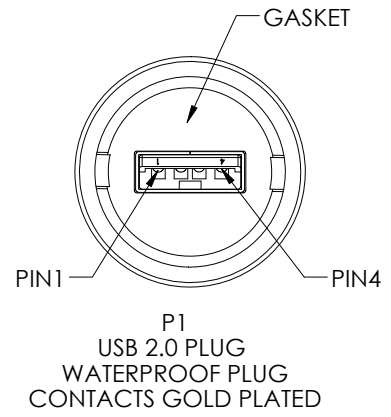


THE INFORMATION CONTAINED IN THIS DRAWING IS THE SOLE PROPERTY OF L-COM, INC. ANY REPRODUCTION IN PART OR WHOLE WITHOUT THE WRITTEN PERMISSION OF L-COM, INC. IS PROHIBITED.

REVISIONS			
REV	DESCRIPTION	DATE	APPROVED
A	INITIAL RELEASE	06/22/17	J.LABOY



ONE 28AWG STRANDED TINNED COPPER TWISTED PAIR  
TWO 24AWG STRANDED TINNED COPPER CONDUCTORS  
OVERALL ALUMINIZED POLYESTER SHIELD WITH DRAIN  
WIRE PLUS TINNED COPPER BRAIDED SHIELD.  
PVC OUTER JACKET, BLACK(UV RESISTANCE),NOM. DIAM. .197[5.00]



PART NUMBER	LENGTH	
	METERS	FEET
U2A00009-05M	0.5	1.64
U2A00009-1M	1.0	3.28
U2A00009-2M	2.0	6.56
U2A00009-3M	3.0	9.84
U2A00009-5M	5.0	16.4

**NOTES:**

1. CABLE ASSEMBLY SHALL BE TESTED FOR CONTINUITY
2. WATERPROOF RATE:IP67
3. CABLE ASSEMBLY SHALL BE INDIVIDUALLY PACKAGED IN ACCORDANCE WITH L-COM SPECIFICATION PS-0031.

**REGULATORY COMPLIANCE:**  
CE2011/65/EU(RoHS DIRECTIVE)

UNLESS OTHERWISE SPECIFIED,  
DIMENSIONS ARE IN INCHES [mm]

OVERALL CABLE LENGTH TOLERANCE:  
 $\leq 12$  [305] = +1 [25] / -0  
 $>12$  [305]  $\leq 60$  [1524] = +2 [51] / -0  
 $>60$  [1524]  $\leq 120$  [3048] = +4 [102] / -0  
 $>120$  [3048]  $\leq 300$  [7620] = +6 [152] / -0  
 $>300$  [7620] = +5% / -0%

ALL OTHER DIMENSIONAL TOLERANCES:  
 .X =  $\pm .2$  [5.08]  
 .XX =  $\pm .02$  [51]  
 .XXX =  $\pm .005$  [13]

PROJECTION

APPROVALS	DATE
DRAWN BY D.CUI	06/21/17
CHECKED BY B.ZHANG	06/21/17
APPROVED BY B.GATES	06/22/17

**L-com** Global Connectivity

50 HIGH STREET  
NORTH ANDOVER, MA  
01845

CATEGORY  
**USB 2.0**

PRODUCT DESCRIPTION  
**USB2.0 M/THREADED/F CBL**

SIZE <b>A</b>	FSCM NO. <b>43321</b>	DWG. NO. <b>U2A00009</b>	REV. <b>A</b>
------------------	--------------------------	-----------------------------	------------------

SCALE: NONE | CAD FILE: U2A00009.SLDDRW | SHEET 1 OF 1

## X-ON Electronics

Largest Supplier of Electrical and Electronic Components

*Click to view similar products for [USB Cables / IEEE 1394 Cables](#) category:*

*Click to view products by [L-Com](#) manufacturer:*

Other Similar products are found below :

[68768-0173](#) [88764-0800](#) [148700-1](#) [AC102012-1](#) [AC102012-2](#) [45-1345-15](#) [45-1358-15](#) [45-1363-15](#) [IP-USB1\(C10\)S-RW](#)  
[CABLE/RTP/USB/DT](#) [45-1351-15](#) [45-1357-15](#) [45-1433-1](#) [10115240-12200LF](#) [687680278](#) [MDM9PH004B](#) [MDM9PH004P](#) [FTP-629Y401](#)  
[FTP-628Y302](#) [FTP-628Y402](#) [FNY-W6022](#) [UA-30AMFM-SL7B02](#) [UA-30AMFM-SL7B01](#) [UA-30AMF-SD7B03](#) [UA-30AMFM-SL7B03](#)  
[UES-1001A160](#) [UES-1003A160](#) [USBFTV2PEMSA2N10OPEN](#) [FTP-629Y602](#) [USBCAMCM100](#) [USB A/F\\*2 to 2.54 2\\*5P-SH L=400mm](#)  
[68784-0075](#) [MINI-SCREW-USB-DATACABLE](#) [103-1020-BL-00100](#) [103-1030-BL-F0300](#) [103-1092-BL-F0200](#) [105-1092-BL-00300](#) [105-](#)  
[1092-BL-00200](#) [105-1031-BL-00200](#) [105-1032-RE-B0200](#) [103-1020-BL-00300](#) [103-1010-BL-00200](#) [103-1020-BL-00200](#) [9370-P](#) [9372-0-](#)  
[15-01-13-14-10-0](#) [USBFTV2SA2G10OPEN](#) [103-1030-BL-F0200](#) [105-1032-RE-B0100](#) [105-1032-RE-B0050](#) [105-1032-SV-B0200](#)