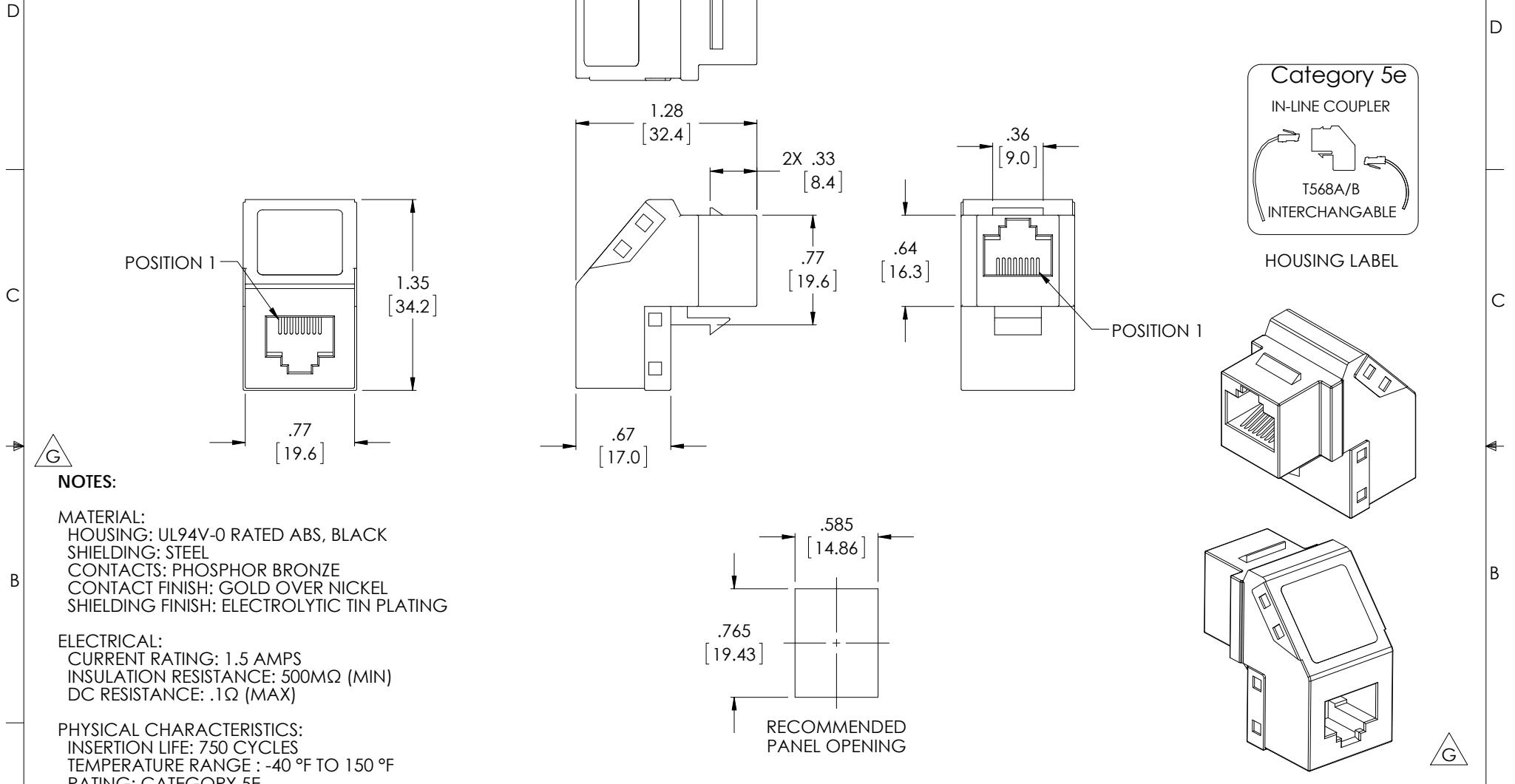


THE INFORMATION CONTAINED IN THIS DRAWING IS THE SOLE PROPERTY OF L-COM, INC. ANY REPRODUCTION IN PART OR WHOLE WITHOUT THE WRITTEN PERMISSION OF L-COM, INC. IS PROHIBITED.

REVISIONS			
REV	DESCRIPTION	DATE	APPROVED
G	ECN 6881: UPD DRAWING FORMAT, PKG. AND DIMENSIONS.	6/12/13	D. DESJARDIN



NOTES:

MATERIAL:
 HOUSING: UL94V-0 RATED ABS, BLACK
 SHIELDING: STEEL
 CONTACTS: PHOSPHOR BRONZE
 CONTACT FINISH: GOLD OVER NICKEL
 SHIELDING FINISH: ELECTROLYTIC TIN PLATING

ELECTRICAL:
 CURRENT RATING: 1.5 AMPS
 INSULATION RESISTANCE: 500MΩ (MIN)
 DC RESISTANCE: .1Ω (MAX)

PHYSICAL CHARACTERISTICS:
 INSERTION LIFE: 750 CYCLES
 TEMPERATURE RANGE : -40 °F TO 150 °F
 RATING: CATEGORY 5E
 WIRING: STRAIGHT THROUGH
 MAXIMUM PANEL THICKNESS: .07"

COMPONENT SHALL BE INDIVIDUALLY PACKAGED IN ACCORDANCE WITH L-COM SPECIFICATION PS-0031.

ALL DIMENSIONS ARE FOR REFERENCE ONLY.

REGULATORY COMPLIANCE:
 ROHS, CE

UNLESS OTHERWISE SPECIFIED, DIMENSIONS ARE IN INCHES [mm] OVERALL CABLE LENGTH TOLERANCE: ≤12 [305] = +1 [25] / -0 >12 [305] ≤60 [1524] = +2 [51] / -0 >60 [1524] ≤120 [3048] = +4 [102] / -0 >120 [3048] ≤300 [7620] = +6 [152] / -0 >300 [7620] = +5% / -0% ALL OTHER DIMENSIONAL TOLERANCES: .X = ±.2 [5.08] .XX = ±.02 [51] .XXX = ±.005 [1.27]	APPROVALS DRAWN BY RON CARRICK	DATE 12/7/2001	45 BEECHWOOD DRIVE NORTH ANDOVER, MA 01845		
	CHECKED BY C.MCCORMICK	DATE 12/7/2001		CATEGORY TELECOM/MODULAR	
	APPROVED BY DOUG PARHAM	DATE 12/7/2001	PRODUCT DESCRIPTION PNL CPLR 8X8 CAT5E KYSTNE SHLD		
	PROJECTION 	COLOR VARIATIONS MAY OCCUR	SIZE A	FSCM NO. 43321	DWG. NO. UJ5T568S

SCALE: NONE CAD FILE: UJ5T568S.SLDDRW SHEET 1 OF 1

X-ON Electronics

Largest Supplier of Electrical and Electronic Components

Click to view similar products for [Modular Connectors](#) / [Ethernet Connectors](#) category:

Click to view products by [L-Com](#) manufacturer:

Other Similar products are found below :

[RJE231881317T](#) [MP1010RX-1000](#) [MP44RX-1000](#) [GAX-3-66](#) [GAX-8-62](#) [93606-0253](#) [GD-A-44](#) [GDCX-PA-66-50](#) [GDCX-PN-64](#) [GDCX-PN-66](#) [GDCX-PN-66-50](#) [GDLX-A-66](#) [GDLX-A-88](#) [GDLX-N-66](#) [GDLX-S-88K](#) [GDTX-S-88-50](#) [GDX-PA-1010](#) [GLX-N-1010M-BLK](#) [GLX-N-44M](#) [GLX-S-88M-BLK](#) [GMX-N-1010](#) [GMX-S-1010](#) [GMX-S-66](#) [GMX-SMT2-N-1010](#) [GMX-SMT2-N-64-50](#) [GMX-SMT2-S6-88](#) [GMX-SMT4-N-88](#) [GPX-2-64](#) [GRT1-BT1-5](#) [GSGX-N-2-88](#) [GSX-NS2-88-3.05](#) [GSX-NS2-88-3.05-50](#) [GSX-NS-88-3.05-30](#) [GSX-NS-88-3.05-50](#) [GSX-NS-88-3.68](#) [1-1775629-2](#) [GWLX-S-88-GR](#) [GWLX-S9-88-YG](#) [1300500326](#) [1300500227](#) [1300530003](#) [1300570002](#) [1324640-4](#) [RJ11FTVC2G](#) [RJ11FTVC2N](#) [RJFTVX2SA1G](#) [132764-001](#) [1400000](#) [1413176](#) [1413235](#)