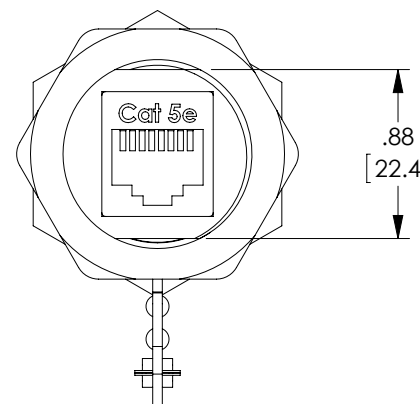
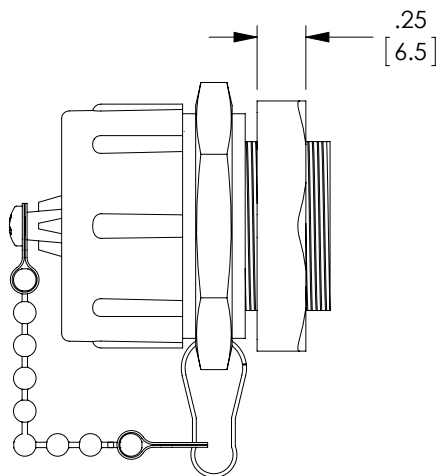
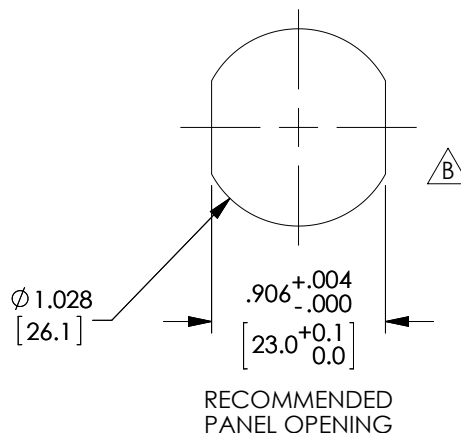
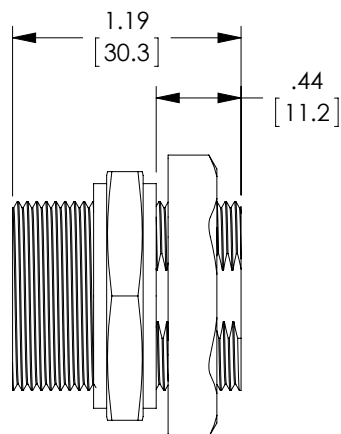


THE INFORMATION CONTAINED IN THIS DRAWING IS THE SOLE PROPERTY OF L-COM, INC. ANY REPRODUCTION IN PART OR WHOLE WITHOUT THE WRITTEN PERMISSION OF L-COM, INC. IS PROHIBITED.

REVISIONS			
REV	DESCRIPTION	DATE	APPROVED
A	INITIAL RELEASE	4/4/17	D.FRISIELLO
B	ECN 8793: ADD CUT-OUT MOUNTING HOLE DETAIL	5/31/17	R.CLARK

DUST CAP AND LANYARD NOT SHOWN



NOTES:

MATERIAL:

MAIN BODY: PBT + GF, UL94V-0
 SHIELDED CASE: BRASS, NICKEL PLATED
 COUPLER HOUSING: ABS, UL94V-0
 JACK CONTACTS: PHOSPHOR BRONZE, 50μ GOLD PLATED.

PHYSICAL CHARACTERISTICS:

INSERTION LIFE: 750 MATING CYCLES
 CONTACT FORCE: 100 GRAMS
 PLUG RETENTION FORCE: 11 LBF MIN.
 OPERATING TEMPERATURE RANGE: -10°C TO +60°C.
 STORAGE TEMPERATURE RANGE: -40°C TO +68°C.
 HUMIDITY: 10% ~ 90% RH
 IP RATING: IP67-WHEN DUST CAP IS ENGAGED.

ELECTRICAL:

INSULATION RESISTANCE: 500 MΩ
 DIELECTRIC WITHSTANDING VOLTAGE: 1000 V AC.
 DC CURRENT RATING: 1.5 AMPS.
 DC RESISTANCE: 0.1 Ω
 CONTACT RESISTANCE: 20mΩ

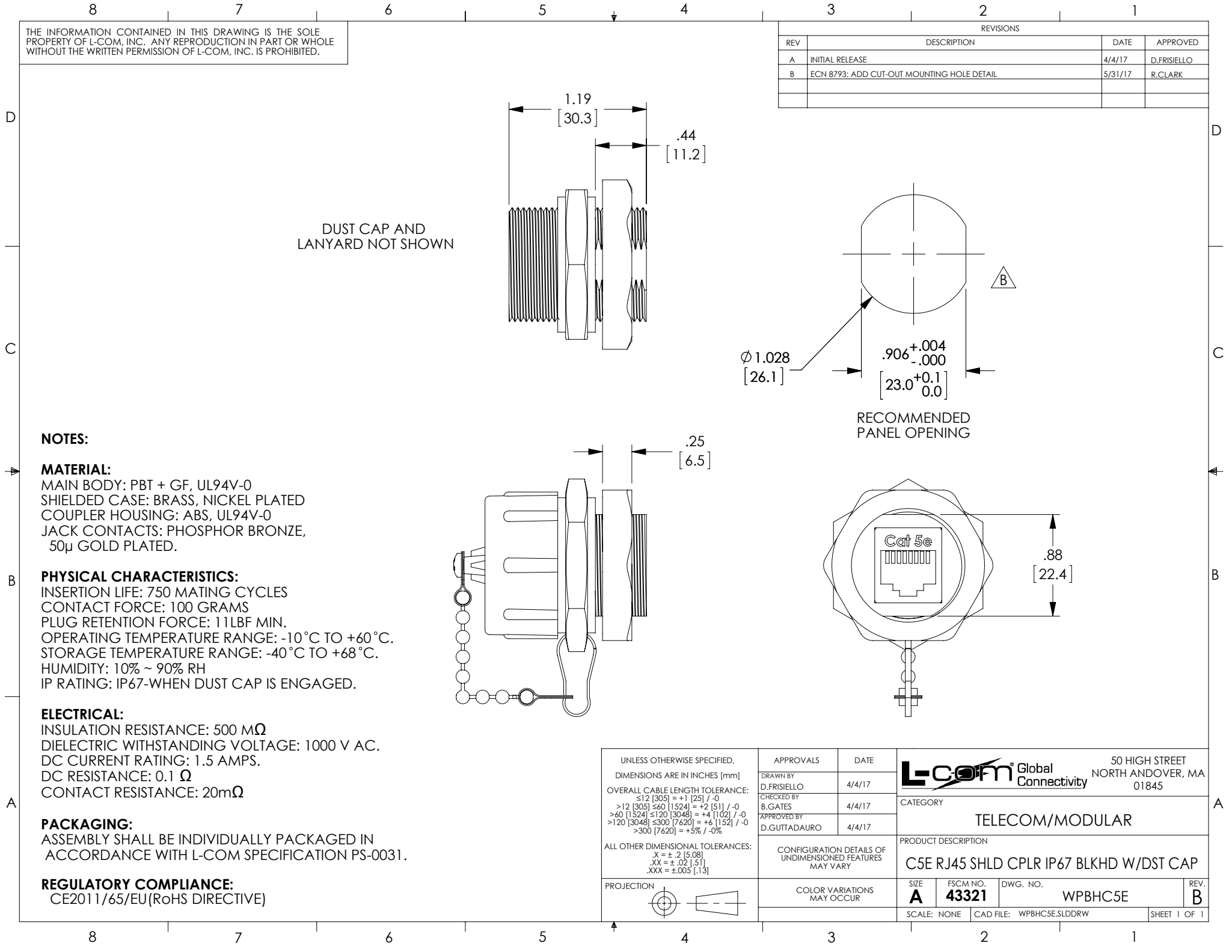
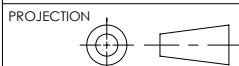
PACKAGING:

ASSEMBLY SHALL BE INDIVIDUALLY PACKAGED IN ACCORDANCE WITH L-COM SPECIFICATION PS-0031.

REGULATORY COMPLIANCE:

CE2011/65/EU (RoHS DIRECTIVE)

UNLESS OTHERWISE SPECIFIED, DIMENSIONS ARE IN INCHES [mm] OVERALL CABLE LENGTH TOLERANCE: ≤12 [305] = +1 [25] / -0 >12 [305] ≤60 [1524] = +2 [51] / -0 >60 [1524] ≤120 [3048] = +4 [102] / -0 >120 [3048] ≤300 [7620] = +6 [152] / -0 >300 [7620] = +5% / -0% ALL OTHER DIMENSIONAL TOLERANCES: .X = ± .2 [5.08] .XX = ± .02 [5.1] .XXX = ±.005 [1.3]	APPROVALS DRAWN BY D.FRISIELLO CHECKED BY B.GATES APPROVED BY D.GUITADAURO	DATE 4/4/17 4/4/17 4/4/17	L-com Global Connectivity 50 HIGH STREET NORTH ANDOVER, MA 01845 CATEGORY TELECOM/MODULAR PRODUCT DESCRIPTION C5E RJ45 SHLD CPLR IP67 BLKHD W/DST CAP
	CONFIGURATION DETAILS OF UNDIMENSIONED FEATURES MAY VARY COLOR VARIATIONS MAY OCCUR	SCALE: NONE CAD FILE: WPBHC5E.SLDDRW	



X-ON Electronics

Largest Supplier of Electrical and Electronic Components

Click to view similar products for [L-Com](#) manufacturer:

Other Similar products are found below :

[27-500-010](#) [AL-ECF504-AB](#) [ANM-1406](#) [AOCQP28100-007](#) [AOCQSP40-010](#) [AOCSP10-002](#) [BA35FF](#) [BAK400](#) [BC030B](#) [BC030R](#) [BC25](#)
[BC40](#) [BC50](#) [BC55](#) [BTB5MD](#) [CA3A-90DA-05M](#) [CA3A-90LA-1M](#) [CA3A-90RA-05M](#) [CA3A-90RMICB-05M](#) [CA3N030](#) [CA3N050](#)
[CA90DA-90DB-03M](#) [CAPUSB-A](#) [CAPUSB-B](#) [CAP-WPRJ](#) [CA-RSPNMB010](#) [CASATAL-18](#) [CASATARL-12](#) [CAUALAL-1M](#)
[CAUALAL-2M](#) [CAUALAL-3M](#) [CAUALB-1M](#) [CAUBLKAA-2M](#) [CAUBLKAB-05M](#) [CAUBLKAB-1M](#) [CAUBLKAB-3M](#) [CAUBLKAB-](#)
[4M](#) [CAUBLKAB-5M](#) [CC58C-10](#) [CC58C-12](#) [CC58C-2](#) [CC58C-5](#) [CC59A-25](#) [CG-C6A-MF](#) [CG-C6-MF](#) [CGDVIMM-10](#) [CGSVGAMM-10](#)
[CIB24-05M](#) [CIB24-1M](#) [CIB24-2M](#)