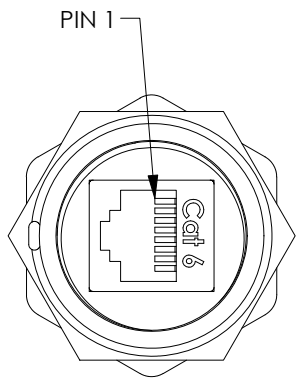
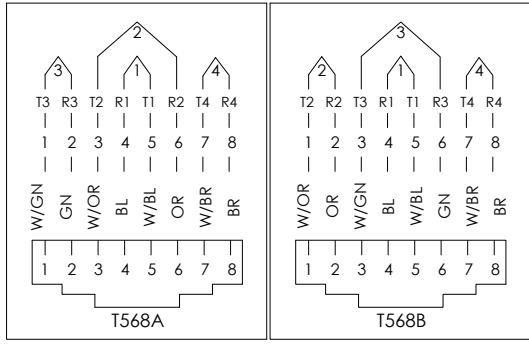
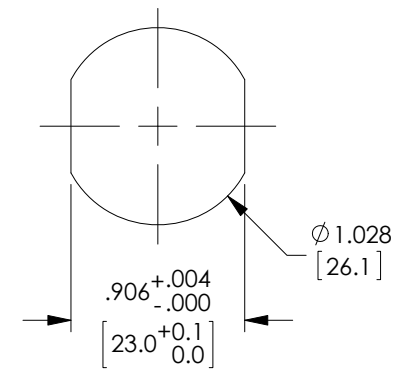
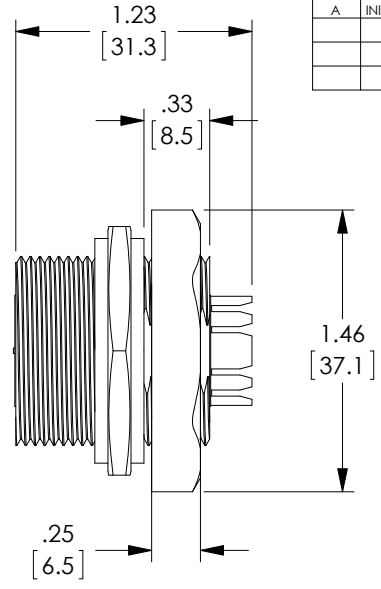


THE INFORMATION CONTAINED IN THIS DRAWING IS THE SOLE PROPERTY OF L-COM, INC. ANY REPRODUCTION IN PART OR WHOLE WITHOUT THE WRITTEN PERMISSION OF L-COM, INC. IS PROHIBITED.

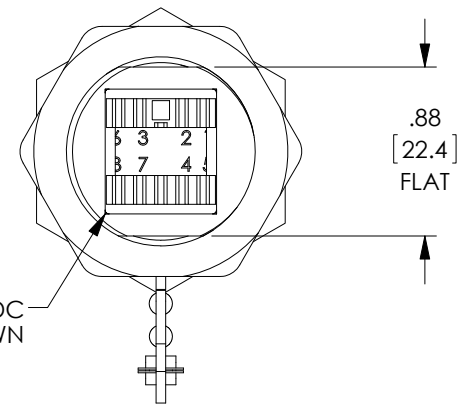
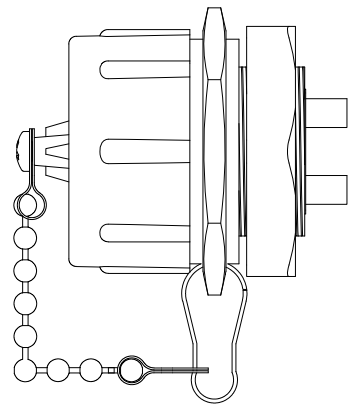
REVISIONS			
REV	DESCRIPTION	DATE	APPROVED
A	INITIAL RELEASE	11/21/17	D.FRISIELLO



DUST CAP AND LANYARD NOT SHOWN



RECOMMENDED PANEL OPENING



**NOTES:**

**MATERIAL:**  
 MAIN BODY: PBT + GF, UL94V-0  
 SHIELDED CASE: BRASS, NICKEL PLATED  
 JACK HOUSING: PC, UL94V-0  
 JACK CONTACTS: PHOSPHOR BRONZE, 50µ GOLD PLATED.  
 IDC PLASTIC: PC, UL94V-0  
 IDC TERMINALS: PHOSPHOR BRONZE, TIN OVER NICKEL UNDERCOAT.

**PHYSICAL CHARACTERISTICS:**  
 SUITABLE IMPACT TOOL: 110 STYLE PUNCH DOWN TOOL  
 110 PUNCH DOWN ACCOMMODATES: 22 TO 24 AWG SOLID  
 INSERTION LIFE: 750 MATING CYCLES  
 CONTACT FORCE: 100 GRAMS  
 PLUG RETENTION FORCE: 11 LBF MIN.  
 OPERATING TEMPERATURE RANGE: -10°C TO +60°C.  
 STORAGE TEMPERATURE RANGE: -40°C TO +68°C.  
 HUMIDITY: 10% ~ 90% RH  
 IP RATING: IP67-WHEN DUST CAP IS ENGAGED.

**ELECTRICAL:**  
 INSULATION RESISTANCE: 500 MΩ  
 DIELECTRIC WITHSTANDING VOLTAGE: 1000 V AC.  
 DC CURRENT RATING: 1.5 AMPS.  
 DC RESISTANCE: 0.1 Ω  
 CONTACT RESISTANCE: 20mΩ

**PACKAGING:**  
 ASSEMBLY SHALL BE INDIVIDUALLY PACKAGED IN ACCORDANCE WITH L-COM SPECIFICATION PS-0031.

**STANDARDS:**  
 FOR APPLICATIONS UP TO CATEGORY 6.  
 ACCORDING TO: ANSI/TIA-568-C.2; ISO/IEC 11801 (2nd EDITION); IEC 60603-7  
 COMPLIANT TO: IEEE 802.3 AT POWER OVER ETHERNET PLUS (PoE+) APPLICATION IEC 60512-99-001 MATING AND UN-MATING CONNECTORS UNDER ELECTRICAL LOAD.

**REGULATORY COMPLIANCE:**  
 CE2011/65/EU (RoHS DIRECTIVE)

UNLESS OTHERWISE SPECIFIED, DIMENSIONS ARE IN INCHES [mm] OVERALL CABLE LENGTH TOLERANCE: ≤12 [305] = +1 [25] / -0 >12 [305] ≤60 [1524] = +2 [51] / -0 >60 [1524] ≤120 [3048] = +4 [102] / -0 >120 [3048] ≤300 [7620] = +6 [152] / -0 >300 [7620] = +5% / -0% ALL OTHER DIMENSIONAL TOLERANCES: .X = ± .2 [5.08] .XX = ± .02 [51] .XXX = ±.005 [1.27]	APPROVALS DRAWN BY D.FRISIELLO CHECKED BY D.GUITADAURO APPROVED BY D.GUITADAURO	DATE 11/16/17 11/21/17 11/21/17	50 HIGH STREET NORTH ANDOVER, MA 01845			
	CATEGORY TELECOM/MODULAR			PRODUCT DESCRIPTION C6 RJ45/110 IP67 BLKHD PoE+ W/DST CAP SHLD		
	CONFIGURATION DETAILS OF UNDIMENSIONED FEATURES MAY VARY	COLOR VARIATIONS MAY OCCUR	SIZE <b>A</b>		FSCM NO. <b>43321</b>	DWG. NO. <b>WPBHC6110</b>
	PROJECTION 	SCALE: NONE		CAD FILE: WPBHC6110.SLDDRW	SHEET 1 OF 1	

## X-ON Electronics

Largest Supplier of Electrical and Electronic Components

*Click to view similar products for [L-Com](#) manufacturer:*

Other Similar products are found below :

[27-500-010](#) [AL-ECF504-AB](#) [ANM-1406](#) [AOCQP28100-007](#) [AOCQSP40-010](#) [AOCSP10-002](#) [BA35FF](#) [BAK400](#) [BC030B](#) [BC030R](#) [BC25](#)  
[BC40](#) [BC50](#) [BC55](#) [BTB5MD](#) [CA3A-90DA-05M](#) [CA3A-90LA-1M](#) [CA3A-90RA-05M](#) [CA3A-90RMICB-05M](#) [CA3N030](#) [CA3N050](#)  
[CA90DA-90DB-03M](#) [CAPUSB-A](#) [CAPUSB-B](#) [CAP-WPRJ](#) [CA-RSPNMB010](#) [CASATAL-18](#) [CASATARL-12](#) [CAUALAL-1M](#)  
[CAUALAL-2M](#) [CAUALAL-3M](#) [CAUALB-1M](#) [CAUBLKAA-2M](#) [CAUBLKAB-05M](#) [CAUBLKAB-1M](#) [CAUBLKAB-3M](#) [CAUBLKAB-](#)  
[4M](#) [CAUBLKAB-5M](#) [CC58C-10](#) [CC58C-12](#) [CC58C-2](#) [CC58C-5](#) [CC59A-25](#) [CG-C6A-MF](#) [CG-C6-MF](#) [CGDVIMM-10](#) [CGSVGAMM-10](#)  
[CIB24-05M](#) [CIB24-1M](#) [CIB24-2M](#)