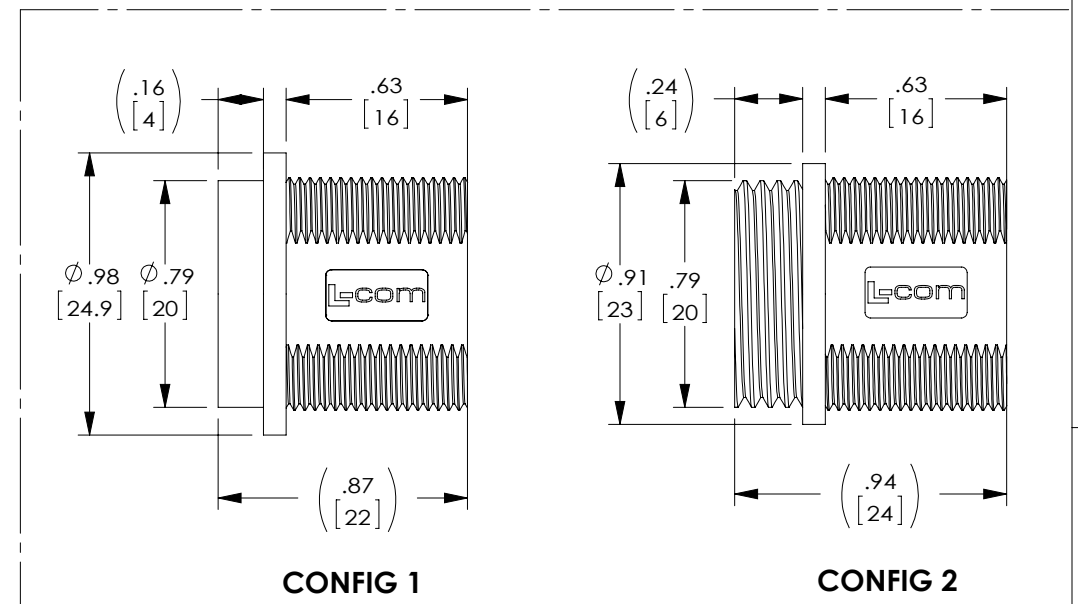
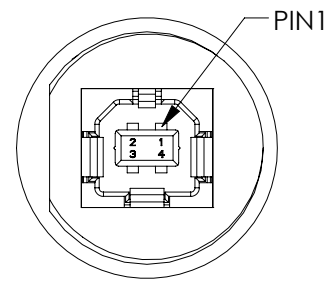
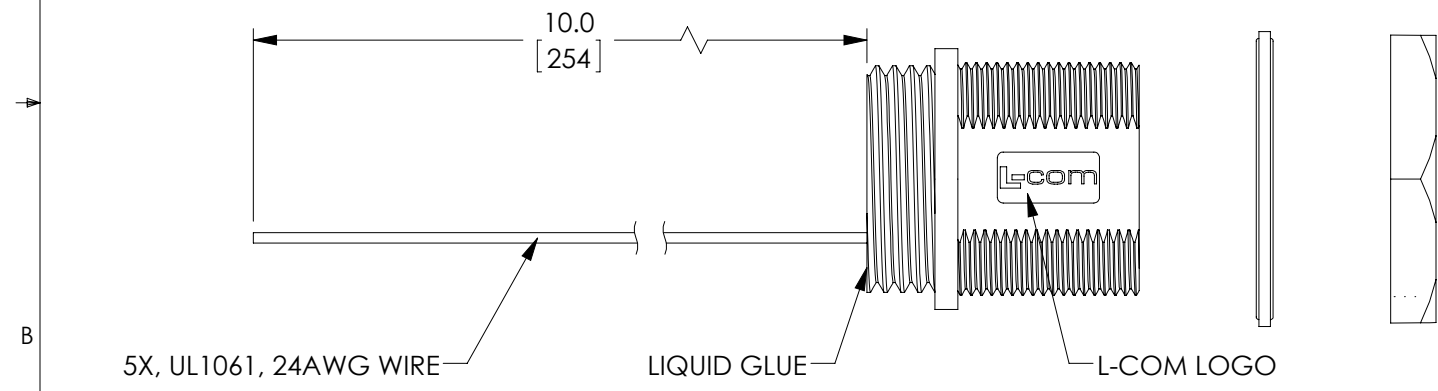
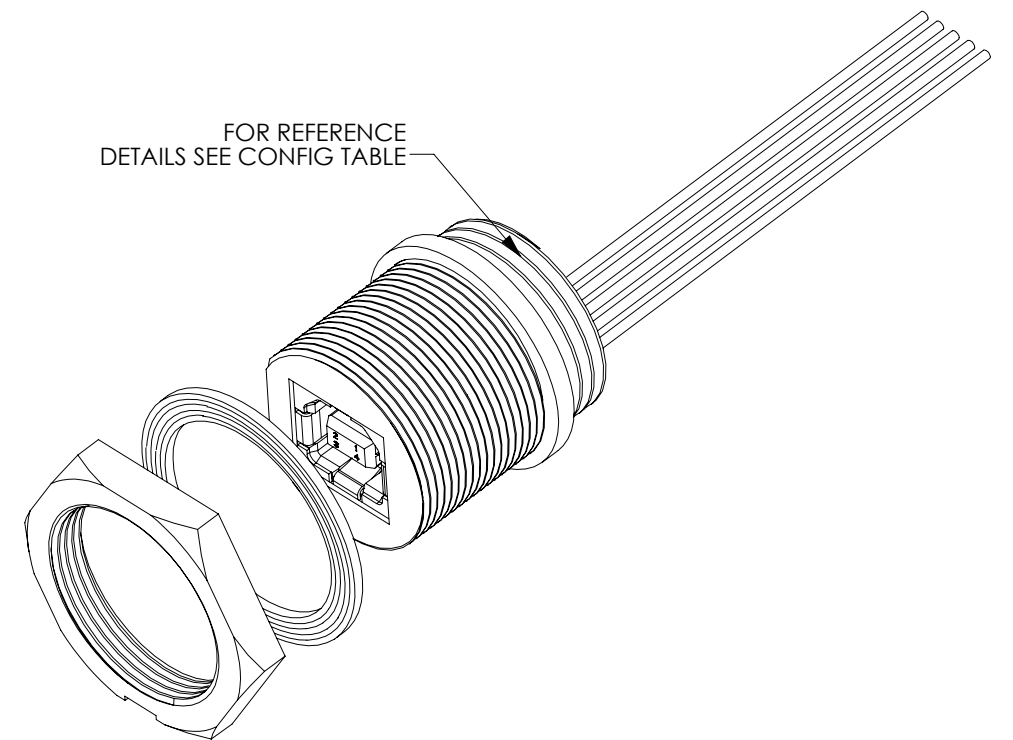
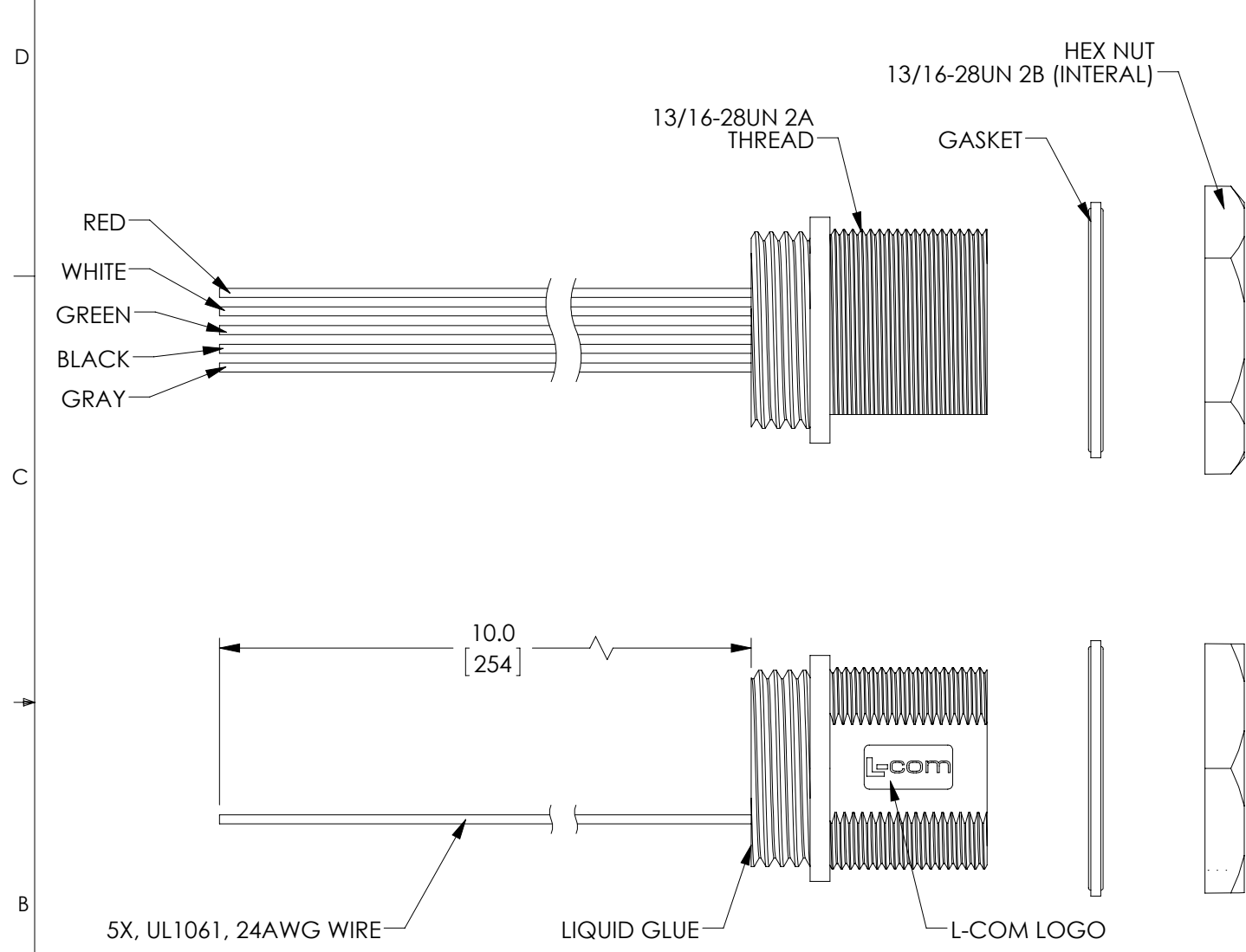


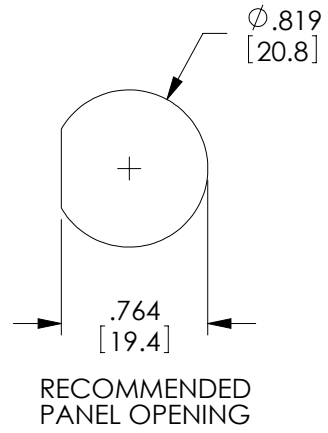
THE INFORMATION CONTAINED IN THIS DRAWING IS THE SOLE PROPERTY OF L-COM, INC. ANY REPRODUCTIONS IN PART OR WHOLE WITHOUT THE WRITTEN PERMISSION OF L-COM, INC. IS PROHIBITED.

REVISIONS			
REV	DESCRIPTION	DATE	CHANGED BY
D	ECN 8473 :UPD DWG TO MATCH NEW DESIGN, ADD NOTES 4 INFO	09/02/16	D.CUI
E	ECN 8516:UPD NOTES AND PIN-OUT, ADD A CONFIG TABLE	10/20/16	D.CUI



- NOTES:**
- 1.COMPONENT ASSEMBLY SHALL BE TESTED FOR CONTINUITY.
 - 2.L-COM LOGO STYLE MAY VARY PER L-COM SPECIFICATION
 - 3.CABLE MAY SUPPLIED WITH EITHER CONFIG 1 OR CONFIG 2 ON "J1" END
 - 4.INGRESS PROTECTION RATING IS IP67 (J1 ONLY ,MATED)
 - 5.COMPONENT ASSEMBLY SHALL BE INDIVIDUALLY PACKAGED IN ACCORDANCE WITH L-COM SPECIFICATION PS-0031.

WIRING MAP	
PIN#	COLOR
1	RED
2	WHITE
3	GREEN
4	BLACK
SHELL	GRAY



REGULATORY COMPLIANCE:
CE2011/65/EU(RoHS DIRECTIVE)

UNLESS OTHERWISE SPECIFIED, DIMENSIONS ARE IN INCHES [mm]		APPROVALS		DATE	 50 HIGH STREET NORTH ANDOVER, MA 01845								
OVERALL CABLE LENGTH TOLERANCE: ≤12 [305] = +1 [25] / -0 >12 [305] ≤60 [1524] = +2[51] / -0 >60 [1524] ≤120 [3048] = +4 [102] / -0 >120 [3048] ≤300 [7620] = +6 [152] / -0 >300 [7620] = +5% / -0%		DRAWN BY J. KIEZULAS		10/31/2005									
ALL OTHER DIMENSIONAL TOLERANCES: .X = ±.2 [5.08] .XX = ±.02 [5.1] .XXX = ±.005 [1.3]		CHECKED BY M. LAHEY		10/31/2005	CATEGORY USB								
PROJECTION		APPROVED BY R. CARRICK		10/31/2005	PRODUCT DESCRIPTION USB WATERPROOF SERIES B BULKHEAD TO BLUNT END								
		CONFIGURATION DETAILS OF UNDIMENSIONED FEATURES MAY VARY		COLOR VARIATIONS MAY OCCUR	<table border="1"> <tr> <th>SIZE</th> <th>FSCM NO.</th> <th>DWG. NO.</th> <th>REV.</th> </tr> <tr> <td>B</td> <td>43321</td> <td>WPUSBBF</td> <td>E</td> </tr> </table>	SIZE	FSCM NO.	DWG. NO.	REV.	B	43321	WPUSBBF	E
SIZE	FSCM NO.	DWG. NO.	REV.										
B	43321	WPUSBBF	E										
SCALE: 1:1		CAD FILE: WPUSBBF.SLDRW		SHEET 1 OF 1									

X-ON Electronics

Largest Supplier of Electrical and Electronic Components

Click to view similar products for [l-com](#) manufacturer:

Other Similar products are found below :

[FOA-550A](#) [SDRA15AG](#) [UMC-201](#) [CSMN50MF-5](#) [CSMNB15MF-15](#) [TRD815RA2BL-5](#) [CA3N050](#) [CA3A-90DA-1M](#) [U3A00003-03M](#)
[CTLF3VGAMM-20](#) [HDCAMM-3](#) [U3A00014-03M](#) [ECF-SK-25](#) [CSMT15MF-10](#) [CSMT15MM-15](#) [CSMT15MM-25](#) [CSPL15MF-50](#)
[CSPL25MF-25](#) [CSPL9MF-10](#) [CSPL9MF-5](#) [CSPL25MF-5](#) [CSPL25MF-2.5](#) [AL-IPEPS](#) [NB201611-10F-1](#) [TDG1026KC5-MNL](#) [NB121005-](#)
[10F](#) [TRD855SRA6DBL-05M](#) [TRD855SRA6DBL-10M](#) [TRD855SRA7DBL-1M](#) [TRD855SRA7DBL-10M](#) [PR175SCDLCQ24](#) [TRG508-T4T-](#)
[3M](#) [TRA5261-15F](#) [TRA5261S-1F](#) [TRA6261-1F](#) [TRA6261-10F](#) [USBBFT](#) [DGB25M](#) [UJ5T568S](#) [CASATAL-18](#) [CSM25MM-10](#) [CSM37MF-](#)
[10](#) [CSUSB-100](#) [CA3A-90RA-1M](#) [CA3A-90RMICB-1M](#) [U2A00003-3M](#) [U3A00003-05M](#) [U2A00008-12I](#) [U3A00056-03M](#) [U3A00007-075M](#)