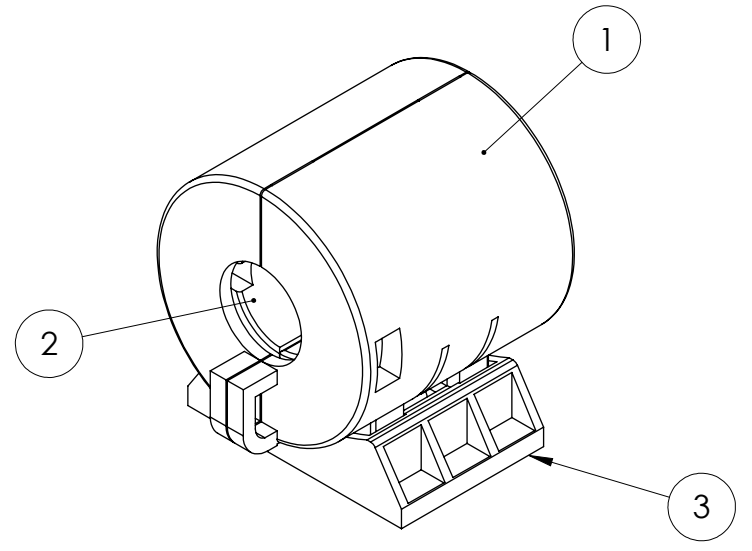
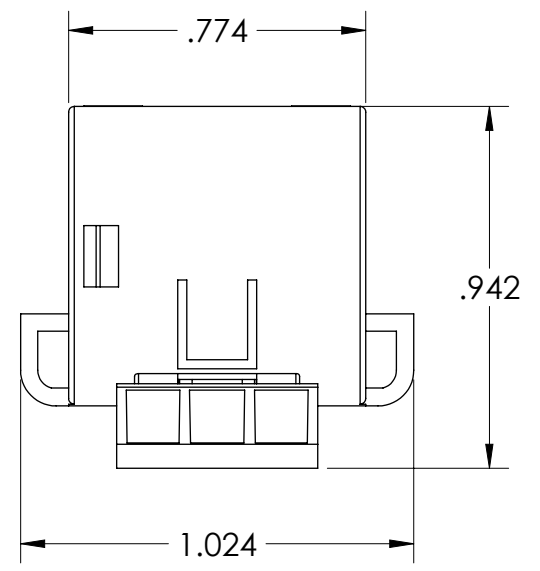
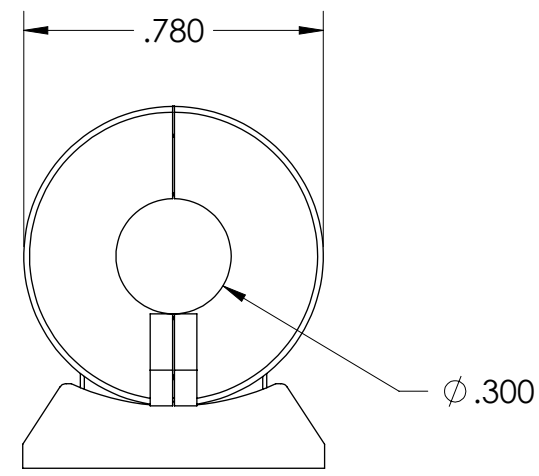


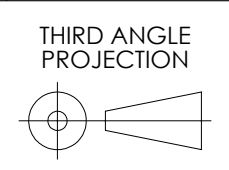
8 7 6 5 4 3 2 1

| REVISIONS |                    |            |             |
|-----------|--------------------|------------|-------------|
| REV.      | DESCRIPTION        | CHANGED BY | APPROVED BY |
| A         | PRODUCTION RELEASE | -          | -           |



| ITEM NO. | PART NUMBER | DESCRIPTION | MATERIAL          | QTY. |
|----------|-------------|-------------|-------------------|------|
| 1        | CS0642      | NYLON CASE  | NYLON             | 1    |
| 2        | 28B0642     | FERRITE     | 28 MATERIAL, NiZn | 2    |
| 3        | CW-BASE     | BASE        | NYLON             | 1    |

**UNLESS OTHERWISE SPECIFIED:**  
 - ALL DIMENSIONS ARE IN INCHES  
 - PART SHALL BE FREE OF BURRS AND SHARP EDGES  
 - ALL DIMENSIONS SHOWN APPLY AFTER PLATINGS AND COATINGS  
 - RoHS COMPLIANT PER EU DIRECTIVE 2011/65/EU  
 - POI = POINT OF INTERSECTION



.XXX +/- .005 .XX +/- .010 .X +/- .020 ANGLES +/- 2°

DRAWN BY: NB 2021-04-19 APPROVED BY:

TITLE: **CABLE SNAP WIDEBAND WITH SCREW MOUNT BASE**

FINISH: N/A  
 MATERIAL: SEE BOM

SIZE: B DWG. NO.: CW28B0642 REV: A  
 SCALE: 2:1 CAGE CODE: 4J674 SHEET: 1 OF 1

THIS DOCUMENT CONTAINS PROPRIETARY INFORMATION OWNED BY LEADERTECH, OR DEVELOPED AT ITS OWN PRIVATE EXPENSE, AND MAY NOT BE USED, DUPLICATED OR DISCLOSED IN WHOLE OR IN PART FOR ANY PURPOSE INCLUDING DESIGN, MANUFACTURE OR PROCUREMENT WITHOUT THE WRITTEN PERMISSION OF LEADERTECH. LEADERTECH DOES NOT GUARANTEE OR WARRANTY THE PERFORMANCE CHARACTERISTICS.

8 7 6 5 4 3 2 1

## X-ON Electronics

Largest Supplier of Electrical and Electronic Components

*Click to view similar products for [Ferrite Clamp On Cores](#) category:*

*Click to view products by [LeaderTech](#) manufacturer:*

Other Similar products are found below :

[CS28B0984](#) [CS28B1501](#) [CV28B1642](#) [AS20B2034](#) [IL25B0642K](#) [SA28B0121](#) [SS33B2033](#) [CF28B1642](#) [HI28B2039](#) [RA33B2480](#)  
[CS28B0642](#) [CS33B0984](#) [TC28B0805](#) [TC33B0984](#) [432703037561](#) [432202209491](#) [4327 018 21641](#) [CF28B0642](#) [SS33B2035](#) [TC28B2000](#)  
[CF28B1937](#) [SS20B2037](#) [TC28B0617](#) [SS33B2032](#) [TC20B1500](#) [SS25B2032](#) [SS20B2034](#) [RA25B2480](#) [PM28B0686](#) [CW28B0642](#)  
[CV28B1984](#) [RA20B1729](#) [CS33B4000](#) [SS33B2040](#) [TC28B1501](#) [AS33B2036](#) [AS25B2032](#) [SE28B4340](#) [TC28B0550](#) [74272591](#) [AS25B2036](#)  
[AS28B2027](#) [28A0592-0A2](#) [28A0593-0A2](#) [28A0640-0A2](#) [28A2025-0A2](#) [28A2026-0A2](#) [28A2029-0A2](#) [28A2432-0A2](#) [28A2736-0A2](#)