

LED LINEAR LIGHTS



LTP series

FEATURES

- _ High reliability LEDs - SAMSUNG (2835)
- _ High luminous efficiency - 110/150lm/W
- _ Color rendering index - Ra>80
- _ Power supply included Non flicker ~100Hz (ENEC certificate)
- _ Extremely strong aluminum body. Prismatic cover
- _ Waterproof rated - IP65
- _ Working temperatures: -20°C -- + 50°C
- _ Ik10
- _ Operation time: >50000h (L90B10)
- _ EMERGENCY battery ~2h internal
- _ Documents: CE, RoHS, EMC, LVD test report
- _ LM-79-08 Certificate
- _ 5 Years Warranty

CONTROL OPTIONS

- _ 1-10V
- _ Dali system

APPLICATIONS

- _ Garage lighting
- _ Factory lighting
- _ Gas station lighting
- _ Warehouse lighting
- _ Food industry lighting

VISUAL APPEARANCE



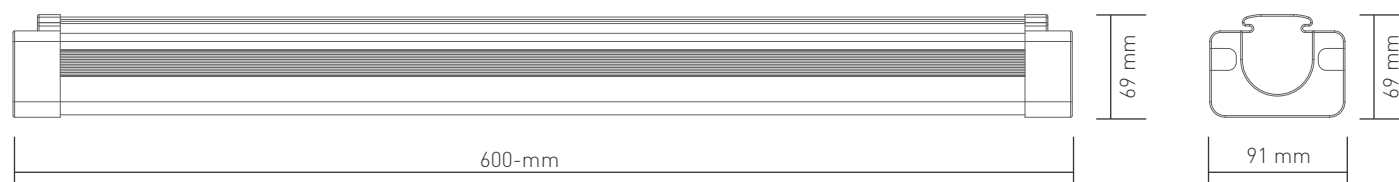
USAGE



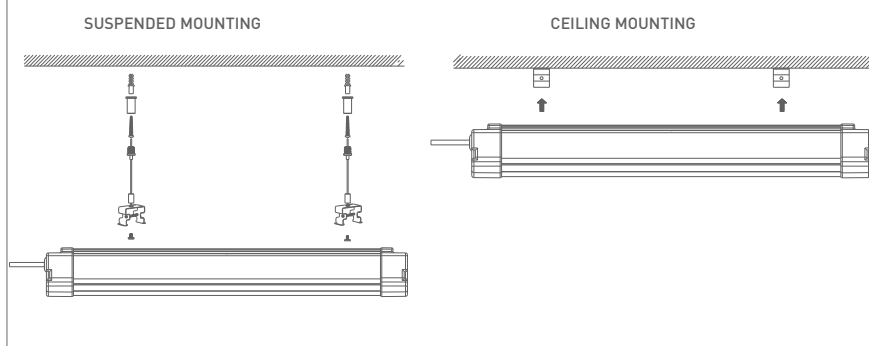
MAIN SPECIFICATIONS

Product code	LTP-20W-600-4000k
Color temperature, K	~4000K
Power, W	20W
Typical luminous flux, lm	2900 Lm
Protection class	Ip65
Optionable	Emergency power supply. Ni-Cd HT battery with autonomous time of 2 hours at 100 % lighting. Charging 24 h.

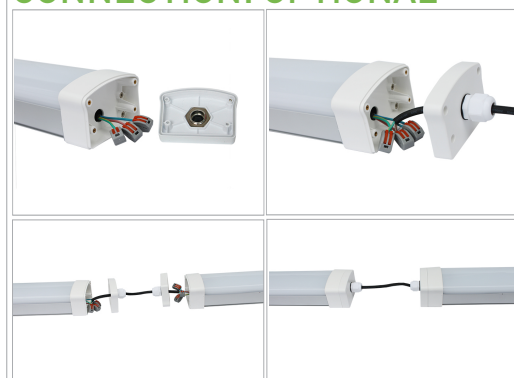
TECHNICAL DRAWING



MOUNTING OPTIONS



CONNECTION: OPTIONAL



X-ON Electronics

Largest Supplier of Electrical and Electronic Components

Click to view similar products for [Mounting Fixings](#) category:

Click to view products by [Leddex](#) manufacturer:

Other Similar products are found below :

[007310](#) [007541](#) [6-141-P](#) [620HA038NF09](#) [620HA038NF11](#) [71-074914-006](#) [71-146610-6H](#) [712HA170B23128-N](#) [71-441549-19S](#) [71-490451-4H](#) [75-69116-8S](#) [75-69211-3P](#) [75-69224-28P](#) [75-69224-5S](#) [770-006A109](#) [770-006A109R](#) [770-006A207](#) [770-006A208W1](#) [770-006A209](#) [770-006A306](#) [770-006A703W1](#) [770-006A704](#) [770-006A704W1](#) [770-006A705](#) [770-006A706](#) [770-006A706W1](#) [770-006A707](#) [770-006A709](#) [770-007A203](#) [770-007A203W1](#) [770-007A204W1](#) [770-007A207W1](#) [770-007A703](#) [770-007A704W1](#) [770-007A706](#) [770-007A707W1](#) [770-010Y208](#) [770-010Y308](#) [770-010Y705](#) [770-010Y706](#) [770-010Y707W1](#) [770-011T201](#) [770-011T203](#) [770-011T701W1](#) [770-011T702](#) [770-011T702W1](#) [770-011T703](#) [770-013210W1](#) [770-013311](#) [770-013312](#)