

Spot-black-2w-CRI95-4000k

FEATURES

- _ High reliability LEDs by CREE
- _ Power supply included
- _ High quality slim body
- _ Instant start
- _ Easy installation
- _ High power factor: over 0.95
- _ High CRI 85-95
- _ Adjustable: Continuous 350° rotation and 90° pivot
- _ TUV CE, RoHS approved, A+ Energy Efficiency Class

APPLICATIONS

- _ Rooms lighting
- _ Shop lighting
- _ Petrol stations shelf lighting
- _ Hallways lighting
- _ Offices lighting

TECHNICAL SPECIFICATIONS

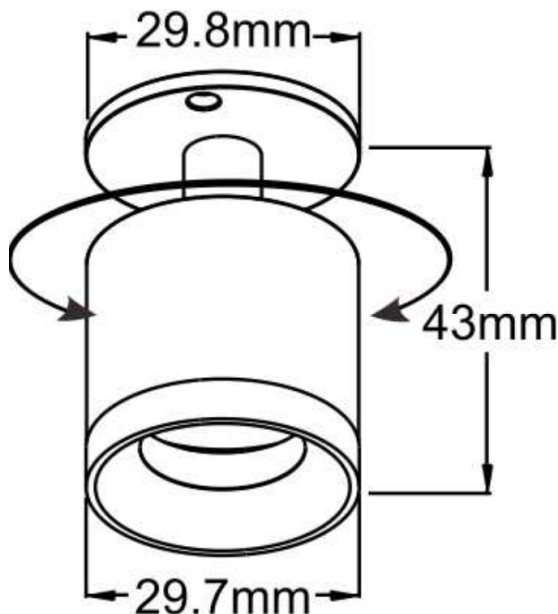
MAIN SPECIFICATIONS

VISUAL APPEARANCE



Product code	Spot-black-2w-CRI95-3000k	Spot-black-2w-CRI95-4000k	Spot-black-2w-CRI95-6000k
Available colors	warm white	neutral white	cool white
Color temperature, K	3000K ±200K	4000K ±200K	6000K ±200K
Power, W	2W	2W	2W
Typical luminous flux, lm	180 Lm	200 Lm	220 Lm
LED Type	CREE LED		
Dimensions	29,7x43mm		
Protection class	IP20		

TECHNICAL DRAWING



X-ON Electronics

Largest Supplier of Electrical and Electronic Components

Click to view similar products for [Mounting Fixings](#) category:

Click to view products by [Leddex](#) manufacturer:

Other Similar products are found below :

[007310](#) [007541](#) [6-141-P](#) [620HA038NF09](#) [620HA038NF11](#) [71-074914-006](#) [71-146610-6H](#) [712HA170B23128-N](#) [71-441549-19S](#) [71-490451-4H](#) [75-69116-8S](#) [75-69211-3P](#) [75-69224-28P](#) [75-69224-5S](#) [770-006A109](#) [770-006A109R](#) [770-006A207](#) [770-006A208W1](#) [770-006A209](#) [770-006A306](#) [770-006A703W1](#) [770-006A704](#) [770-006A704W1](#) [770-006A705](#) [770-006A706](#) [770-006A706W1](#) [770-006A707](#) [770-006A709](#) [770-007A203](#) [770-007A203W1](#) [770-007A204W1](#) [770-007A207W1](#) [770-007A703](#) [770-007A704W1](#) [770-007A706](#) [770-007A707W1](#) [770-010Y208](#) [770-010Y308](#) [770-010Y705](#) [770-010Y706](#) [770-010Y707W1](#) [770-011T201](#) [770-011T203](#) [770-011T701W1](#) [770-011T702](#) [770-011T702W1](#) [770-011T703](#) [770-013210W1](#) [770-013311](#) [770-013312](#)