

PRELIMINARY

Product Overview

The 7027 "BuckToot" LED Power Module is a true constant-current regulated driver for LEDs. Unlike standard power supplies, which deliver a fixed voltage to the output, the BuckToot LED driver is designed to reliably vary the output voltage as required to deliver a stable constant current to the LED(s). The BuckToot exhibits very high efficiency and does not require external current limiting resistors or additional heat sinking.

The extremely small form-factor of the 7027 BuckToot makes it the ideal choice for many MR-11 and MR-16 integration applications since it can easily be incorporated into the housing assembly. Fully potted and sealed from harsh environments, the BuckToot measures only 10mm diameter x 19mm long* and is supplied with 150mm 24AWG colored leads. Custom sizes can be created to meet customer requirements. Contact LuxDrive for more information.



7027 BuckToot LED Driver Module powering (6) Luxeon I LEDs in series ($V_m \geq 24V$)

Features

- DC input power up to 28V surge protected
- True constant current output
- Extremely small form-factor* (10mm diameter x 19mm length)
- Output open and short circuit protection



Figure 1.
Wiring Connections

Typical Applications

- Solar & Landscape Lighting
- Architectural Lighting
- Track Lighting
- Automotive & Marine Lighting
- Portable Lighting & Flashlights
- Point of Purchase Lighting
- Desk & Reading Lamps
- Signal & Marker Lighting
- Cabinet & Display Case Lighting
- Sign & Channel Letters
- Much More...

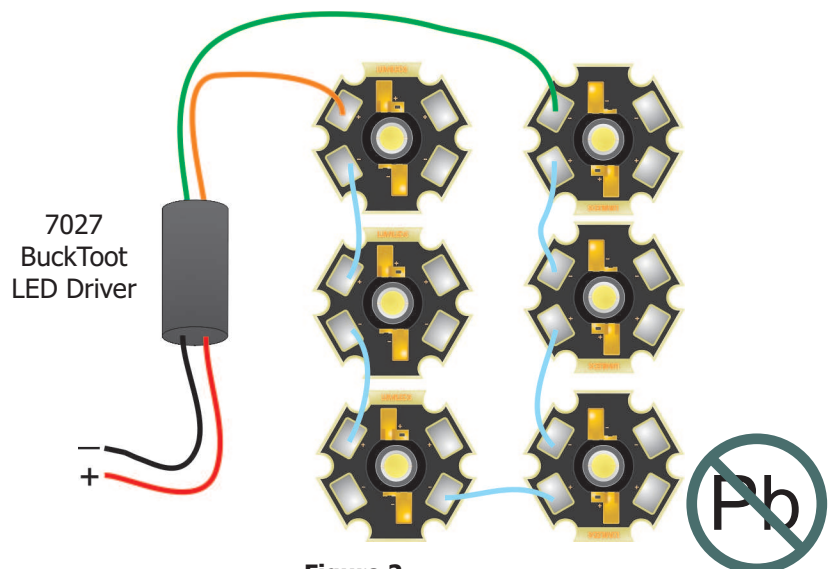


Figure 2.
BuckToot shown powering (6) Luxeon I LEDs in series ($V_{IN} = 24VDC$)



* - Units can be customized for OEM applications - Contact LuxDrive for more information

PRELIMINARY

Part Number Identification Table

<i>Part Number</i>	<i>Input</i>	<i>Output Current</i>
7027-D-350	5-28 Volts DC	350mA

*Other currents available by special order.

Absolute Maximum Ratings

Input Voltage 28V DC

Typical Characteristics

Output current tolerance (within specified temp. range) . . ±10%
 Efficiency Up to 94%
 Input Voltage Minimum 5V_{DC}
 Input Margin (Vin - Vout) 2V_{DC}
 Ripple Current 15%

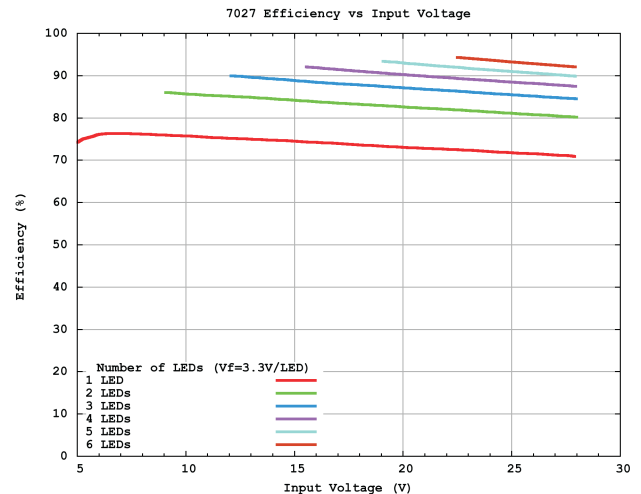


Figure 3.
Efficiency vs. Vin

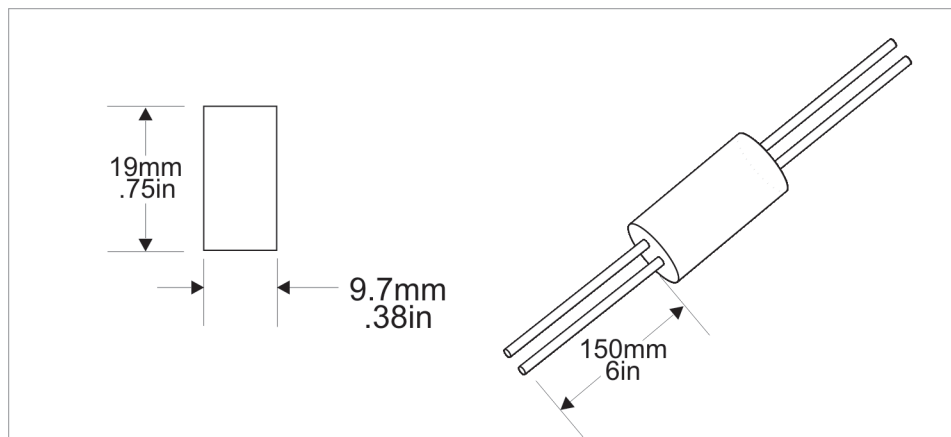
Specifications

Output current, 7027-D-xxx 350mA

Allowable case operating temperature -40-+85°C

Storage temperature -40-+125°C

Physical Dimensions



Shown approximately actual size



X-ON Electronics

Largest Supplier of Electrical and Electronic Components

Click to view similar products for [Emulators/Simulators](#) category:

Click to view products by [Ledynamics](#) manufacturer:

Other Similar products are found below :

[AC244062](#) [AC244064](#) [SPC563M64CAL144](#) [SPC563M64CAL176](#) [ST7MDT2-EMU2B](#) [IM3316](#) [IM1281B](#) [IM1275](#) [IM1227](#) [IM1259G](#)
[IM1253B](#) [IM1253B\(D\)](#) [MJYS-QKJL-40/380V](#) [MJYS-QKJL-75/380V](#) [MJYD-JL-75/380V](#) [MJYD-JL-40/380V](#) [CI-B02CS01S](#) [CI-B03CS01S](#)
[CI-BO3GS01S](#) [GD10PJX120L2S](#) [HEDS-9730#Q50](#) [HEDS-9700#F50](#) [L-MZ07](#) [L-MZ02](#) [L-MZ021](#) [TXVT4G6M-S](#) [JL_MOD_FH_V1.0](#)
[MKSDSOCKET-Pinboard V1](#) [CY3250-24X33](#) [AC244060](#) [7027-D-350](#) [DS1747WP-120IND+](#) [AC244061](#) [S5U1C31W74T1300](#)
[S5U1C17M13T2100](#) [S5U1C17M13T1100](#) [J-Link ULTRA+](#) [AFM201TI-AY2LED2](#) [AFW121T-EVB](#) [CP2102](#) [CE118M12](#) [ESP32-A1S](#)
[ESP32-CAM](#) [ESP-32S](#) [ADZS-ICE-1000](#) [ADZS-ICE-2000](#) [USB-EA-CONVZ](#) [BH-USB-100v2-ARM](#) [BH-USB-100v2D](#) [BH-USB-200](#)