

Light is OSRAM

OSRAM

Our Brand

LED ENGIN

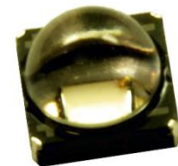


LuxiGen™ 385-410nm Violet LED Emitter

LZ1-00UB0R

Key Features

- High efficiency Violet (385-410nm) LED emitter
- Ultra-small foot print – 4.4mm x 4.4mm
- Surface mount ceramic package with integrated glass lens
- Very low thermal resistance (4.2°C/W)
- Electrically neutral thermal path
- Autoclave compliant (JEDEC JESD22-A102-C)
- JEDEC Level 1 for Moisture Sensitivity Level
- Lead (Pb) free and RoHS compliant
- Emitter available on star MCPCB (optional)



Typical Applications

- Curing
- Currency verification
- Dental
- Fluorescence microscopy
- Forensics
- Inspection
- Leak detection
- Medical
- Sterilization



LZ1-00UB0R

Part number options

Base part number

Part number	Description
LZ1-00UB0R-xxxx	LZ1 emitter
LZ1-10UB0R-xxxx	LZ1 emitter on Standard Star MCPCB

Bin kit option codes

Single wavelength bin

Kit Number suffix	Min flux Bin	Color Bin Range	Description
00U4	M1	U4	M1 minimum flux; wavelength U4 bin only
00U5	M1	U5	M1 minimum flux; wavelength U5 bin only
00U8	M1	U8	M1 minimum flux; wavelength U8 bin only

Radiant Flux Bins

Table 1:

Bin Code	Minimum	Maximum
	Radiant Flux (Φ) @ $I_F = 700\text{mA}^{[1]}$ (mW)	Radiant Flux (Φ) @ $I_F = 700\text{mA}^{[1]}$ (mW)
M1	1100	1375
N1	1375	1760

Notes for Table 1:

1. Radiant flux performance is measured at specified current, 10ms pulse width, $T_c = 25^\circ\text{C}$. LED Engin maintains a tolerance of $\pm 10\%$ on flux measurements.

Peak Wavelength Bins

Table 2:

Bin Code	Minimum	Maximum
	Peak Wavelength (λ_P) @ $I_F = 700\text{mA}^{[1]}$ (nm)	Peak Wavelength (λ_P) @ $I_F = 700\text{mA}^{[1]}$ (nm)
U4	385	390
U5	390	395
U8	405	410

Notes for Table 2:

1. Peak wavelength is measured at specified current, 10ms pulse width, $T_c=25^\circ\text{C}$. LED Engin maintains a tolerance of $\pm 2.0\text{nm}$ on peak wavelength measurements.

Forward Voltage Bins

Table 3:

Bin Code	Minimum	Maximum
	Forward Voltage (V_F) @ $I_F = 700\text{mA}^{[1]}$ (V)	Forward Voltage (V_F) @ $I_F = 700\text{mA}^{[1]}$ (V)
0	3.20	4.20

Notes for Table 3:

1. Forward voltage is measured at specified current, 10ms pulse width, $T_c=25^\circ\text{C}$. LED Engin maintains a tolerance of $\pm 0.04\text{V}$ for forward voltage measurements.

Absolute Maximum Ratings

Table 4:

Parameter	Symbol	Value	Unit
DC Forward Current ^[1]	I _F	1000 @T _c -max 70°C	mA
Peak Pulsed Forward Current ^[2]	I _{FP}	1000 @T _c -max 70°C	mA
Reverse Voltage	V _R	See Note 3	V
Storage Temperature	T _{stg}	-40 ~ +150	°C
Case Temperature ^[4]	T _C	70 @1000mA	°C
Soldering Temperature ^[4]	T _{sol}	260	°C
Allowable Reflow Cycles		3	
ESD Sensitivity ^[5]		ESD Sensitive Device Class 0 ANSI/ESDA/JEDEC JS-001 HBM	

Notes for Table 4:

- Maximum DC forward current is determined by the overall thermal resistance and ambient temperature. Follow the curves in Figure 11 for *Current Derating*.
- Pulse forward current conditions: Pulse width ≤ 10msec and duty cycle ≤ 10%.
- LEDs are not designed to be reverse biased.
- Case temperature measured on emitter. Max case temperature varies by drive current and is based on reliability testing for continuous mode operation.
- Solder conditions per JEDEC 020D. See *Reflow Soldering Profile* Figure 5.
- LED Engin recommends taking reasonable precautions towards possible ESD damages and handling the LZ1-00UB0R in an electrostatic protected area (EPA). An EPA may be adequately protected by ESD controls as outlined in ANSI/ESD S6.1.

Optical Characteristics @ T_C = 25°C

Table 5:

Parameter	Symbol	Typical			Unit
		385-390nm	390-400nm	400-410nm	
Radiant Flux (@ I _F = 700mA)	Φ	1380	1380	1260	mW
Radiant Flux (@ I _F = 1000mA)	Φ	1940	1940	1760	mW
Peak Wavelength ^[1]	λ _P	385	395	405	nm
Viewing Angle ^[2]	2Θ _{1/2}		72		Degrees
Total Included Angle ^[3]	Θ _{0.9V}		95		Degrees

Notes for Table 5:

- This product emits intense Ultra Violet (UV) light which is harmful to human eyes. When operating the UV LED, observe IEC 62471 Risk Group 3. Avoid exposure to the beam. Wear protective eyewear.
- Viewing Angle is the off axis angle from emitter centerline where the radiometric power is ½ of the peak value.
- Total Included Angle is the total angle that includes 90% of the total radiant flux.

LZ1-00UB0R

Electrical Characteristics @ T_C = 25°C

Table 6:

Parameter	Symbol	Typical	Unit
Forward Voltage (@ I _F = 700mA)	V _F	3.4	V
Forward Voltage (@ I _F = 1000mA)	V _F	3.5	V
Temperature Coefficient of Forward Voltage	ΔV _F /ΔT _J	-1.6	mV/°C
Thermal Resistance (Junction to Case)	RΘ _{J-C}	4.2	°C/W

IPC/JEDEC Moisture Sensitivity Level

Table 7 - IPC/JEDEC J-STD-20D.1 MSL Classification:

Level	Soak Requirements					
	Floor Life		Standard		Accelerated	
	Time	Conditions	Time (hrs)	Conditions	Time (hrs)	Conditions
1	Unlimited	≤ 30°C/ 85% RH	168 +5/-0	85°C/ 85% RH	n/a	n/a

Notes for Table 7:

1. The standard soak time includes a default value of 24 hours for semiconductor manufacturer's exposure time (MET) between bake and bag and the floor life of maximum time allowed out of the bag at the end user of distributor's facility.

LZ1-00UB0R

Mechanical Dimensions (mm)

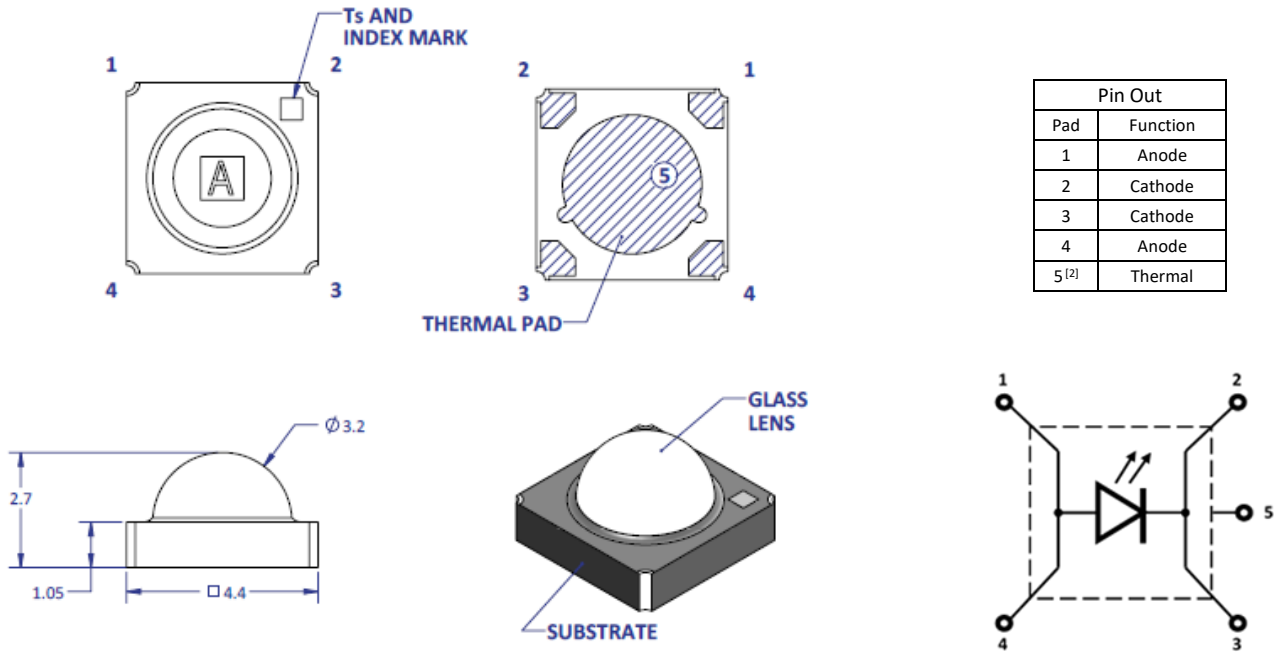


Figure 1: Package outline drawing.

Notes for Figure 1:

- 1. Unless otherwise noted, the tolerance = ± 0.20 mm.
- 2. Thermal contact, Pad 5, is electrically neutral.
- 3. TS point = index mark.

Recommended Solder Pad Layout (mm)

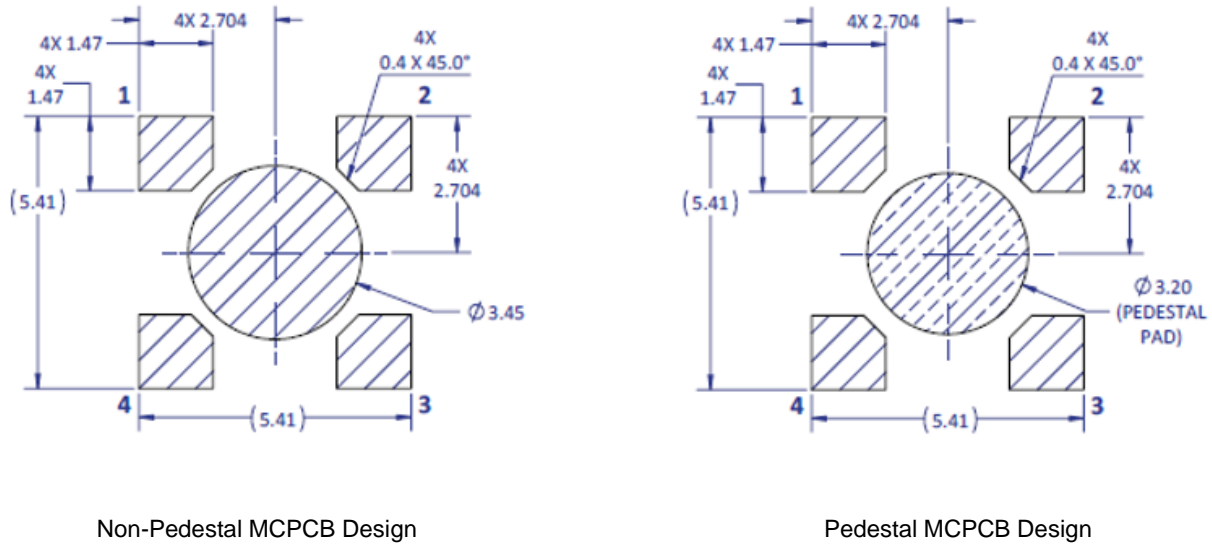


Figure 2a: Recommended solder pad layout for anode, cathode, and thermal pad for non-pedestal and pedestal design.

Notes for Figure 2a:

1. Unless otherwise noted, the tolerance = ± 0.20 mm.
2. Pedestal MCPCB allows the emitter thermal slug to be soldered directly to the metal core of the MCPCB. Such MCPCB eliminate the high thermal resistance dielectric layer that standard MCPCB technologies use in between the emitter thermal slug and the metal core of the MCPCB, thus lowering the overall system thermal resistance
3. LED Engin recommends x-ray sample monitoring for solder voids underneath the emitter thermal slug. The total area covered by solder voids should be less than 20% of the total emitter thermal slug area. Excessive solder voids will increase the emitter to MCPCB thermal resistance and may lead to higher failure rates due to thermal over stress.
4. This emitter is compatible with all LZ1 MCPCBs provided that the MCPCB design follows the recommended solder mask layout (Figure 2b)

Recommended Solder Mask Layout (mm)

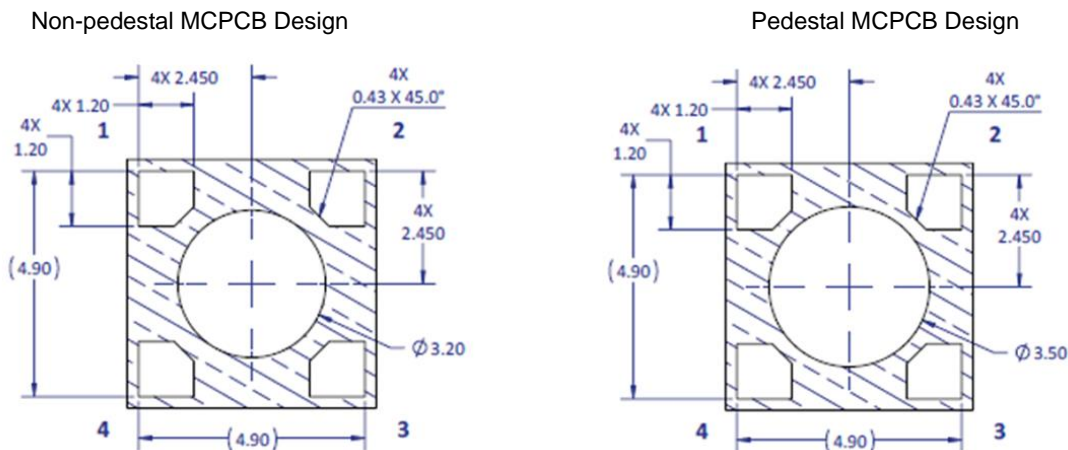


Figure 2b: Recommended solder mask opening for anode, cathode, and thermal pad for non-pedestal and pedestal design.

Note for Figure 2b:

1. Unless otherwise noted, the tolerance = ± 0.20 mm.

Recommended 8mil Stencil Apertures Layout (mm)

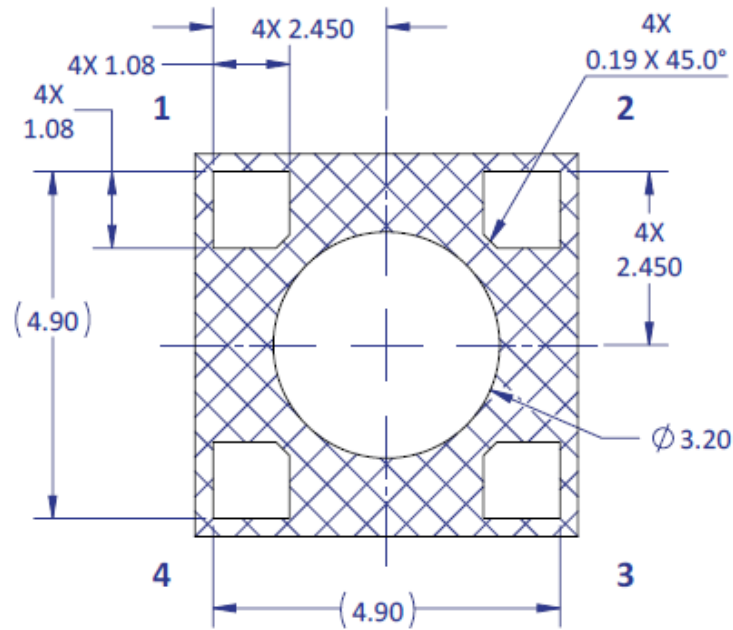


Figure 2c: Recommended solder mask opening for anode, cathode, and thermal pad for non-pedestal and pedestal design.

Note for Figure 2c:

- 1. Unless otherwise noted, the tolerance = ± 0.20 mm.

Reflow Soldering Profile

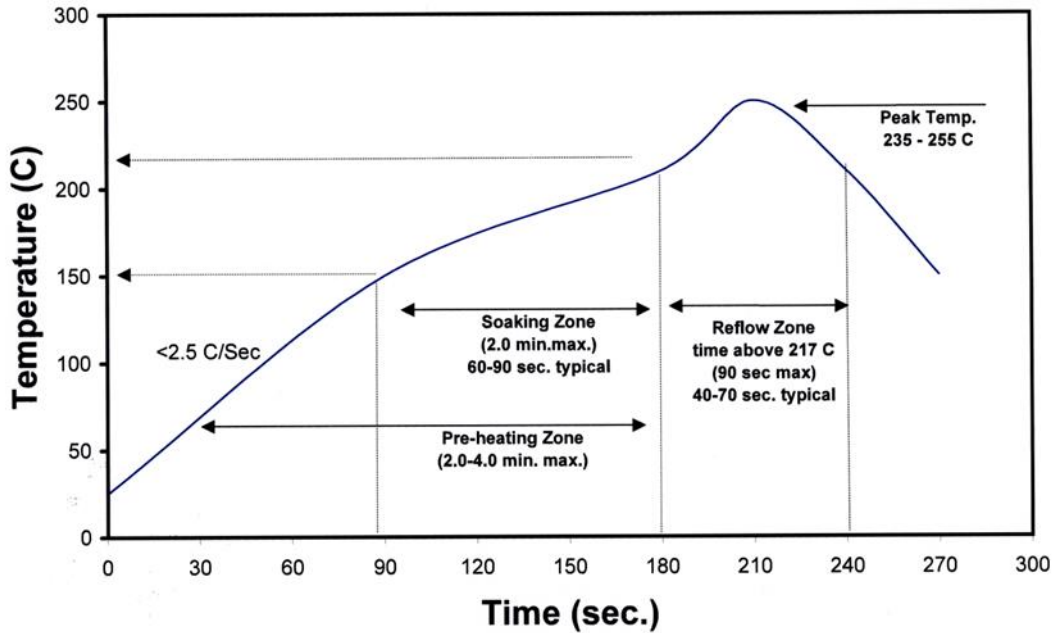


Figure 3: Reflow soldering profile for lead free soldering.

Typical Radiation Pattern

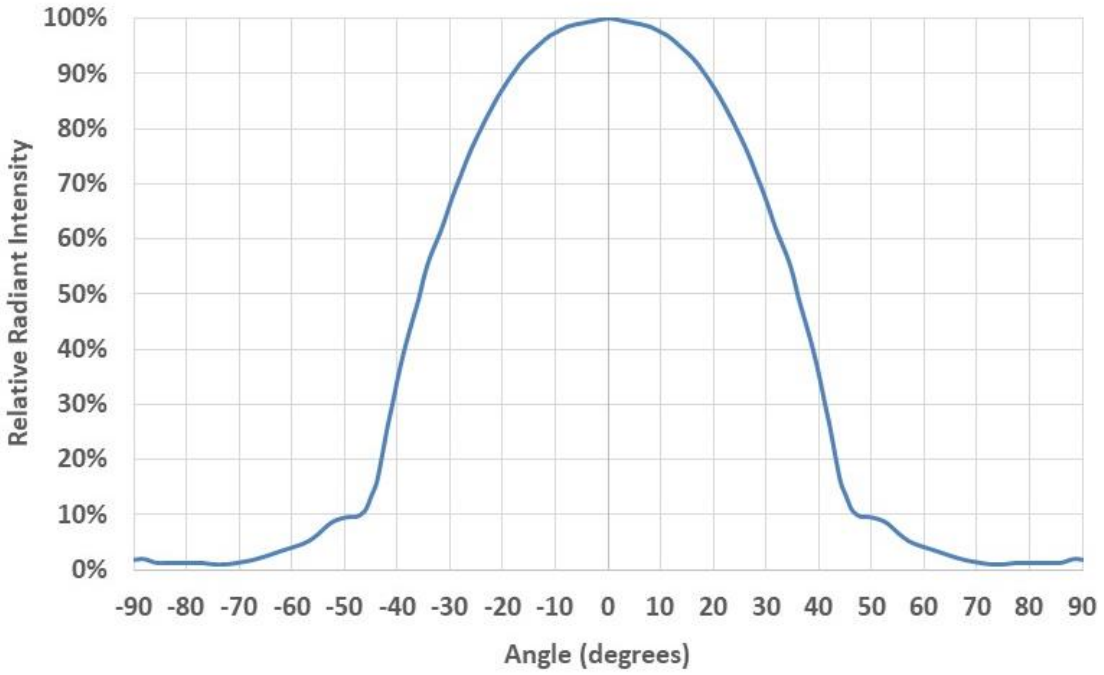


Figure 4: Typical representative spatial radiation pattern.

Typical Relative Spectral Power Distribution

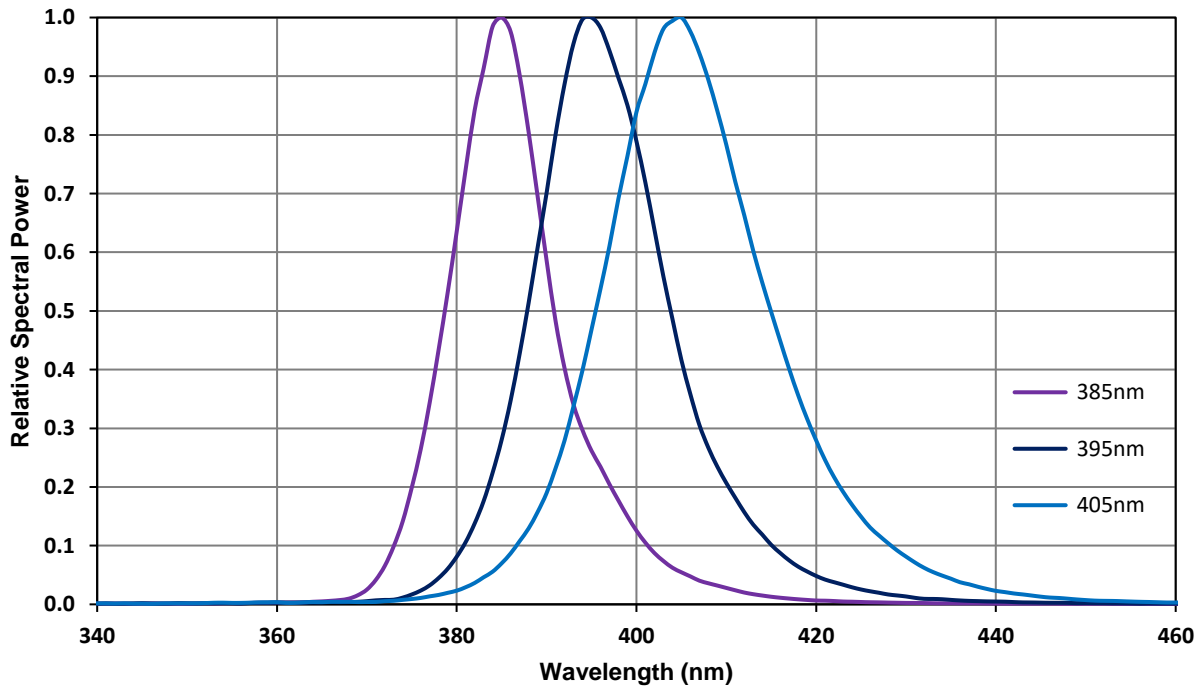


Figure 5: Typical relative spectral power vs. wavelength @ $T_C = 25^\circ\text{C}$.

Typical Forward Current Characteristics

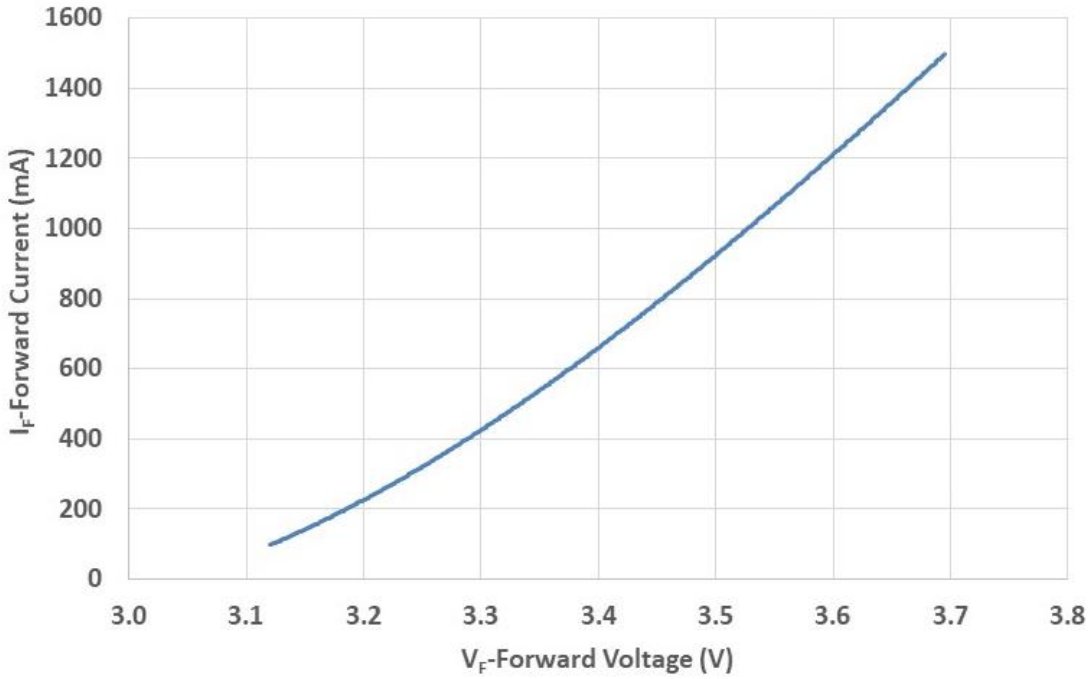


Figure 6: Typical forward current vs. forward voltage @ T_C = 25°C.

Typical Normalized Radiant Flux over Current

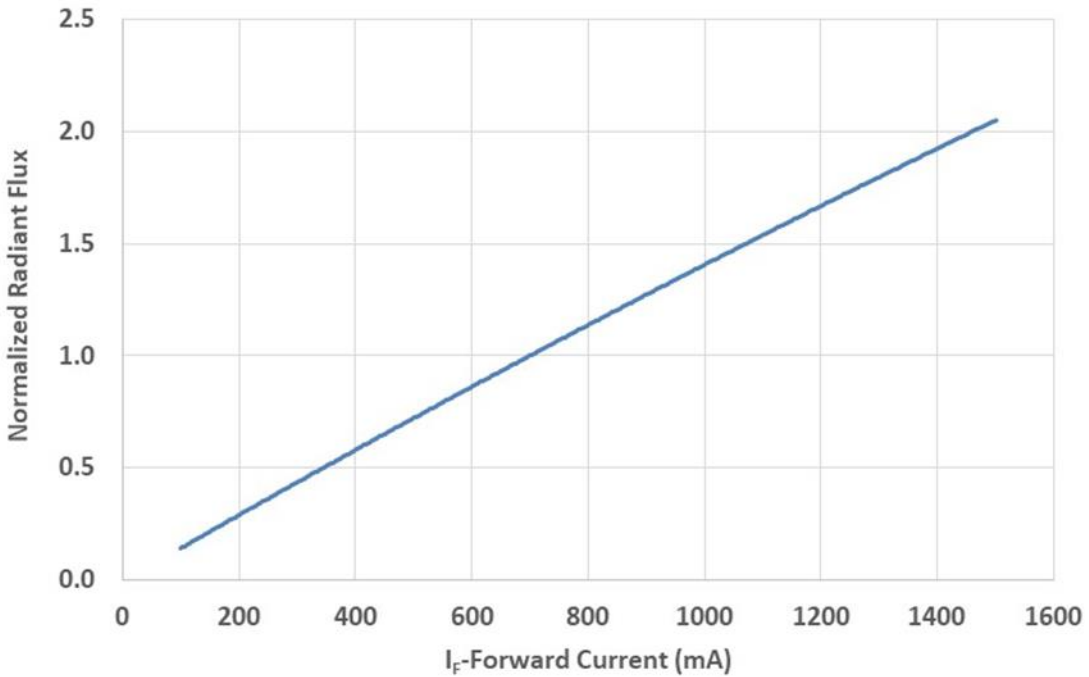


Figure 7: Typical normalized radiant flux vs. forward current @ T_C = 25°C.

Typical Normalized Radiant Flux over Temperature

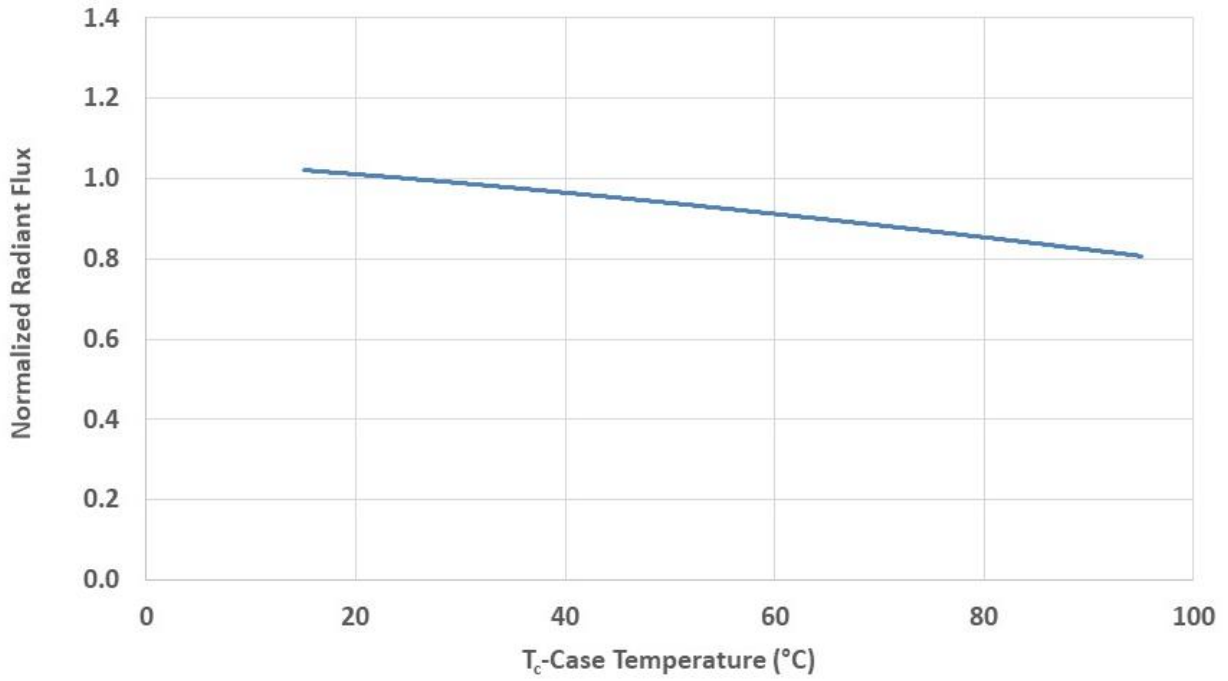


Figure 8: Typical normalized radiant flux vs. case temperature @700mA.

Typical Peak Wavelength Shift over Current

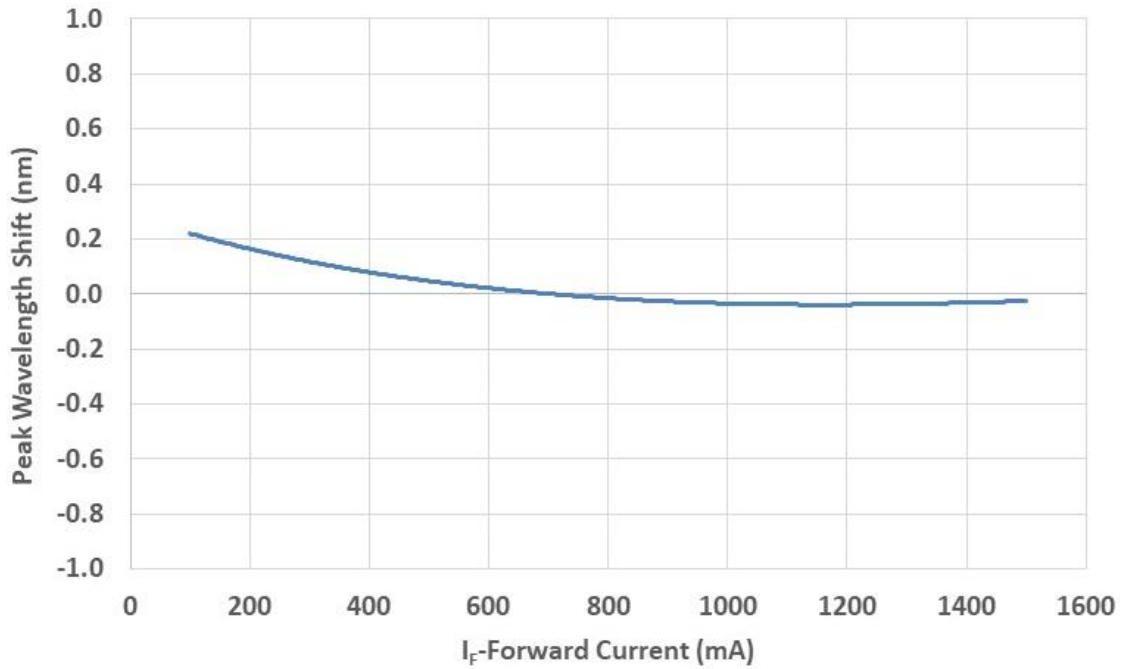


Figure 9: Typical peak wavelength shift vs. forward current @ T_c = 25°C.

LZ1-00UB0R

Typical Peak Wavelength Shift over Temperature

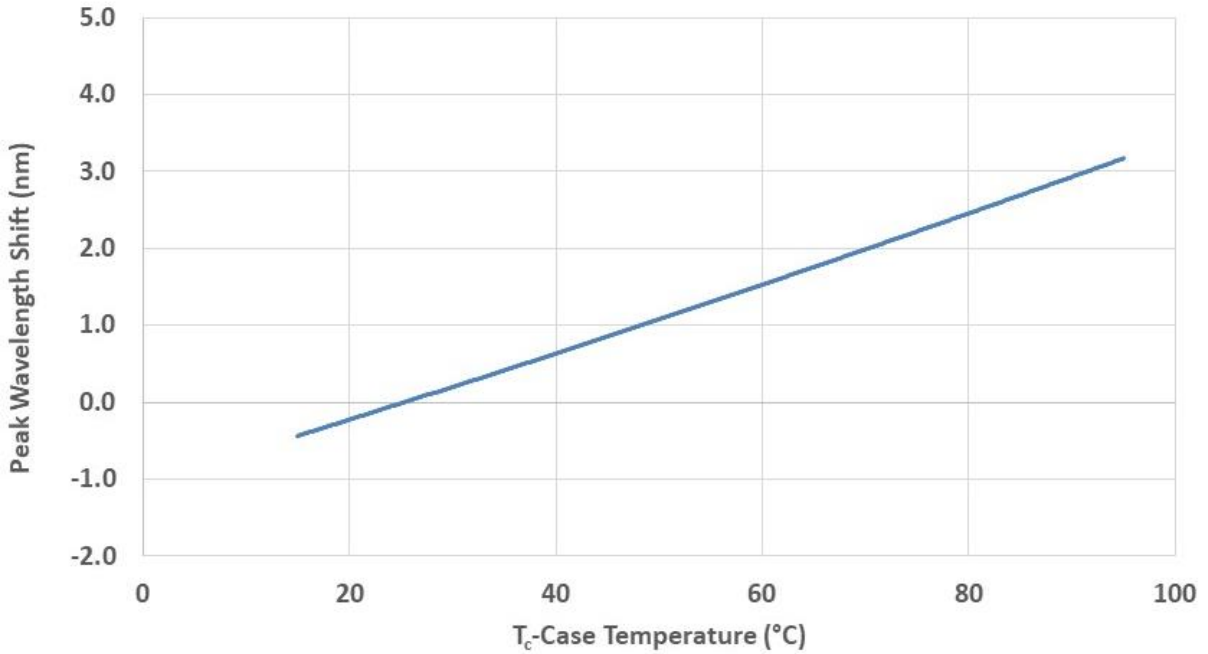


Figure 10: Typical peak wavelength shift vs. case temperature @700mA.

Current De-rating

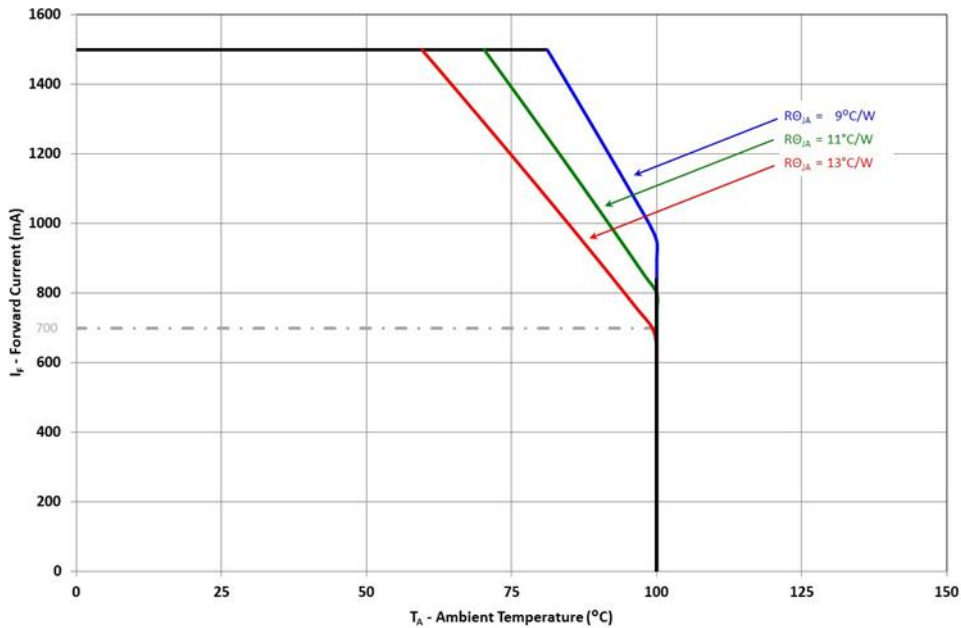


Figure 11: Maximum forward current vs. ambient temperature based on T_{J(MAX)} = 130°C.

Notes for Figure 11:

- 1. RO_{J-C} [Junction to Case Thermal Resistance] for the LZ1-00UB0R is typically 4.2°C/W.
- 2. RO_{J-A} [Junction to Ambient Thermal Resistance] = RO_{J-C} + RO_{C-A} [Case to Ambient Thermal Resistance].

Emitter Tape and Reel Specifications (mm)

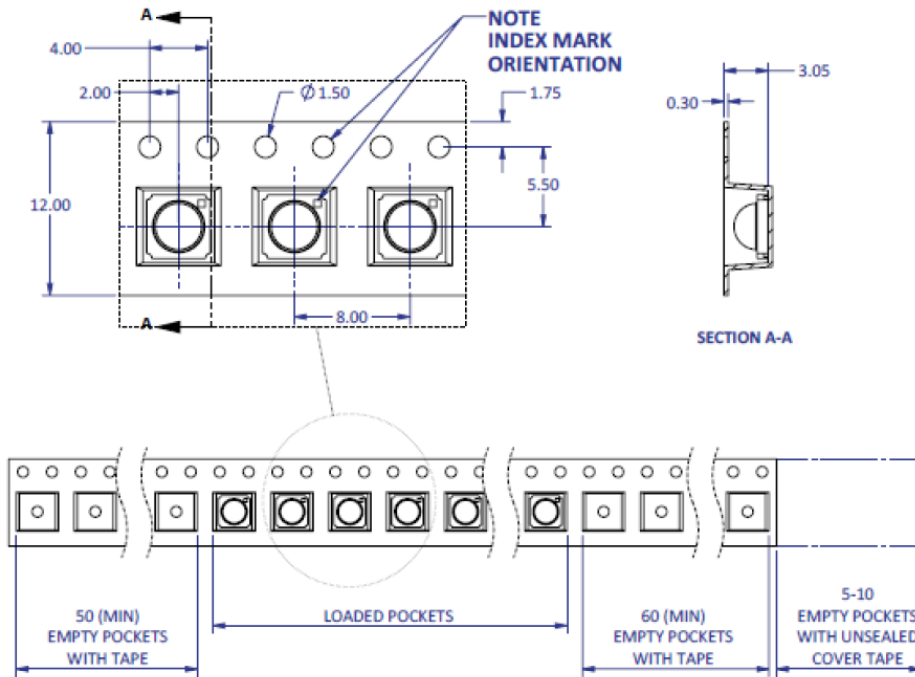


Figure 12: Emitter carrier tape specifications (mm).

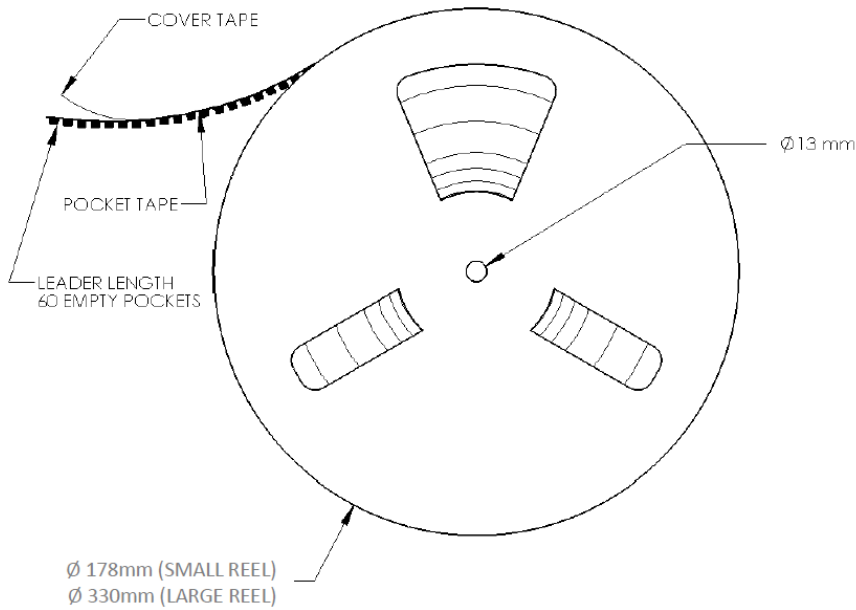


Figure 13: Emitter reel specifications (mm).

Notes:

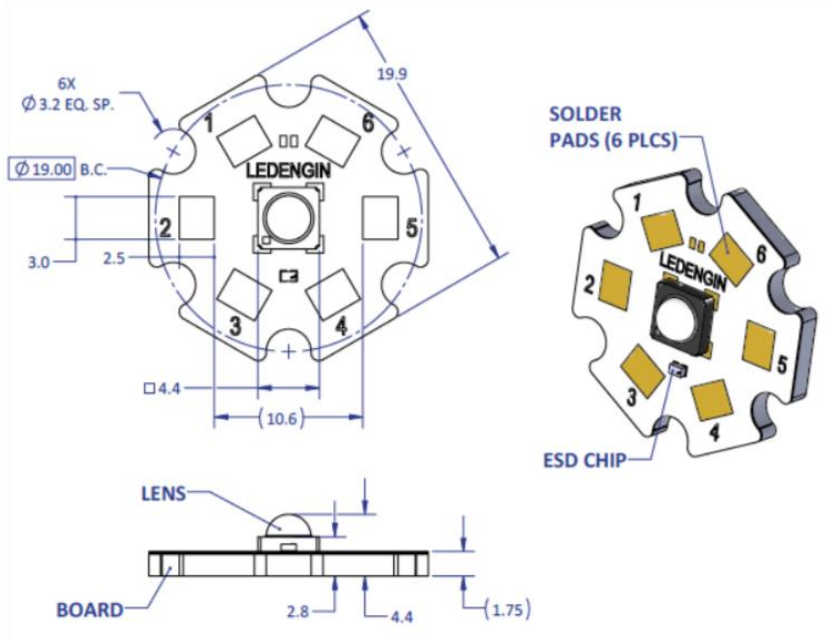
- 1. Small reel quantity: up to 500 emitters
- 2. Large reel quantity: 501-2500 emitters.
- 3. Single flux bin and single wavelength bin per reel.

LZ1 MCPCB Option

Part number	Type of MCPCB	Dimension (mm)	Emitter + MCPCB Thermal Resistance (°C/W)	Typical V _f (V)	Typical I _f (mA)
LZ1-1xxxxx	1-channel Star	19.9	4.2 + 1.5 = 5.7	3.7	700

LZ1-1xxxxx

1 channel, Standard Star MCPCB (1x1) Dimensions (mm)



Pad layout			
Ch.	MCPCB Pad	String/die	Function
1	1,2,3	1/A	Cathode -
	4,5,6		Anode +

Notes:

1. Unless otherwise noted, the tolerance = ± 0.2 mm.
2. Slots in MCPCB are for M3 or #4-40 mounting screws.
3. LED Engin recommends plastic washers to electrically insulate screws from solder pads and electrical traces.
4. LED Engin recommends using thermal interface material when attaching the MCPCB to a heat sink.
5. The thermal resistance of the MCPCB is: R θ C-B 1.5°C/W

Components used

MCPCB: HT04503 (Bergquist)
 ESD/TVS Diode: BZT52C5V1LP-7 (Diodes, Inc., for 1 LED die)
 VBUS05L1-DD1 (Vishay Semiconductors, for 1 LED die)

Application Guidelines

MCPCB Assembly Recommendations

A good thermal design requires an efficient heat transfer from the MCPCB to the heat sink. In order to minimize air gaps in between the MCPCB and the heat sink, it is common practice to use thermal interface materials such as thermal pastes, thermal pads, phase change materials and thermal epoxies. Each material has its pros and cons depending on the design. Thermal interface materials are most efficient when the mating surfaces of the MCPCB and the heat sink are flat and smooth. Rough and uneven surfaces may cause gaps with higher thermal resistances, increasing the overall thermal resistance of this interface. It is critical that the thermal resistance of the interface is low, allowing for an efficient heat transfer to the heat sink and keeping MCPCB temperatures low.

When optimizing the thermal performance, attention must also be paid to the amount of stress that is applied on the MCPCB. Too much stress can cause the ceramic emitter to crack. To relax some of the stress, it is advisable to use plastic washers between the screw head and the MCPCB and to follow the torque range listed below. For applications where the heat sink temperature can be above 50°C, it is recommended to use high temperature and rigid plastic washers, such as polycarbonate or glass-filled nylon.

LED Engin recommends the use of the following thermal interface materials:

1. Bergquist's Gap Pad 5000S35, 0.020in thick
 - Part Number: Gap Pad® 5000S35 0.020in/0.508mm
 - Thickness: 0.020in/0.508mm
 - Thermal conductivity: 5 W/m-K
 - Continuous use max temperature: 200°C
 - Using M3 Screw (or #4 screw), with polycarbonate or glass-filled nylon washer (#4) the recommended torque range is: 20 to 25 oz-in (1.25 to 1.56 lbf-in or 0.14 to 0.18 N-m)
2. 3M's Acrylic Interface Pad 5590H
 - Part number: 5590H @ 0.5mm
 - Thickness: 0.020in/0.508mm
 - Thermal conductivity: 3 W/m-K
 - Continuous use max temperature: 100°C
 - Using M3 Screw (or #4 screw), with polycarbonate or glass-filled nylon washer (#4) the recommended torque range is: 20 to 25 oz-in (1.25 to 1.56 lbf-in or 0.14 to 0.18 N-m)

Mechanical Mounting Considerations

The mounting of MCPCB assembly is a critical process step. Excessive mechanical stress build up in the MCPCB can cause the MCPCB to warp which can lead to emitter substrate cracking and subsequent cracking of the LED dies

LED Engin recommends the following steps to avoid mechanical stress build up in the MCPCB:

- Inspect MCPCB and heat sink for flatness and smoothness.
- Select appropriate torque for mounting screws. Screw torque depends on the MCPCB mounting method (thermal interface materials, screws, and washer).

LZ1-00UB0R

- Always use three M3 or #4-40 screws with #4 washers.
- When fastening the three screws, it is recommended to tighten the screws in multiple small steps. This method avoids building stress by tilting the MCPCB when one screw is tightened in a single step.
- Always use plastic washers in combinations with the three screws. This avoids high point contact stress on the screw head to MCPCB interface, in case the screw is not seated perpendicular.
- In designs with non-tapped holes using self-tapping screws, it is common practice to follow a method of three turns tapping a hole clockwise, followed by half a turn anti-clockwise, until the appropriate torque is reached.

Wire Soldering

- To ease soldering wire to MCPCB process, it is advised to preheat the MCPCB on a hot plate of 125-150°C. Subsequently, apply the solder and additional heat from the solder iron will initiate a good solder reflow. It is recommended to use a solder iron of more than 60W.
- It is advised to use lead-free, no-clean solder. For example: SN-96.5 AG-3.0 CU 0.5 #58/275 from Kester (pn: 24-7068-7601)

About LED Engin

LED Engin, an OSRAM brand based in California's Silicon Valley, develops, manufactures, and sells advanced LED emitters, optics and light engines to create uncompromised lighting experiences for a wide range of entertainment, architectural, general lighting and specialty applications. LuxiGen™ multi-die emitter and secondary lens combinations reliably deliver industry-leading flux density, upwards of 5000 quality lumens to a target, in a wide spectrum of colors including whites, tunable whites, multi-color and UV LEDs in a unique patented compact ceramic package. Our LuxiTune™ series of tunable white lighting modules leverage our LuxiGen emitters and lenses to deliver quality, control, freedom and high density tunable white light solutions for a broad range of new recessed and downlighting applications. The small size, yet remarkably powerful beam output and superior in-source color mixing, allows for a previously unobtainable freedom of design wherever high-flux density, directional light is required. LED Engin is committed to providing products that conserve natural resources and reduce greenhouse emissions; and reserves the right to make changes to improve performance without notice.

For more information, please contact LEDE-Sales@osram.com or +1 408 922-7200.

LED Engin office:
651 River Oaks Parkway
San Jose, CA 95134
USA
408 922-7200
LEDE-Sales@osram.com
www.osram.us/ledengin

Our Brand

LED ENGIN



OSRAM

X-ON Electronics

Largest Supplier of Electrical and Electronic Components

Click to view similar products for [LED Engin manufacturer:](#)

Other Similar products are found below :

[LLFL-2T06-H](#) [LLFL-3T06-H](#) [LLFL-3T11-H](#) [LLNF-1T06-H](#) [LLNS-1T08-H](#) [LLNS-2T06-H](#) [LLNS-3T08-H](#) [LLSP-3T06-H](#) [LLWF-3T08-H](#)
[LZ1-00A102-0000](#) [LZ1-00CW02-0065](#) [LZ1-00G102-0000](#) [LZ1-00G102-0G23](#) [LZ1-00R100-0000](#) [LZ1-00R102-0000](#) [LZ1-00R202-0000](#)
[LZ1-00R302-0000](#) [LZ1-00R602-0000](#) [LZ1-00R702-0000](#) [LZ1-00UAP5-00U5](#) [LZ1-00UB00-00U8](#) [LZ1-00UB00-01U4](#) [LZ1-00UB0R-00U4](#)
[LZ1-00UB0R-00U7](#) [LZ1-00UB0R-00U8](#) [LZ1-00UV0R-0000](#) [LZ1-10A105](#) [LZ1-10B202-0000](#) [LZ1-10CW02-0055](#) [LZ1-10CW02-0065](#) [LZ1-](#)
[10DB00-0100](#) [LZ1-10R102-0000](#) [LZ1-10R202-0000](#) [LZ1-10R302-0000](#) [LZ1-10R400](#) [LZ1-10R402-0000](#) [LZ1-10R602-0000](#) [LZ1-10R702-](#)
[0000](#) [LZ1-10UA00](#) [LZ1-10UB00-00U5](#) [LZ1-10UB00-01U4](#) [LZ1-10UB0R-00U4](#) [LZ1-10UB0R-00U6](#) [LZ1-10UB0R-00U7](#) [LZ1-10UB0R-](#)
[00U8](#) [LZ1-1MCPCB](#) [LZ1-30R100](#) [LZ1-U0UAP5-00U5](#) [LZ4-00A108-0000](#) [LZ4-00B208-0000](#)