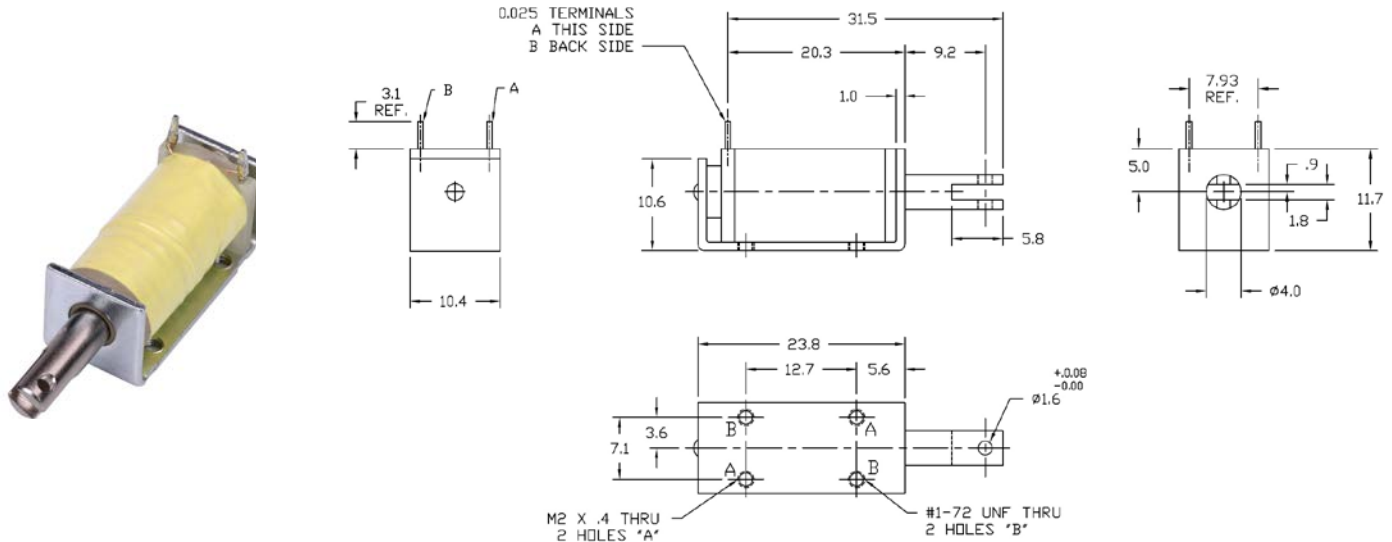


# Model C5

# DC Pull C-Frame Solenoid

Size: 0.94" L x 0.41" W x 0.46" H

ALL PRODUCTS ARE RoHS COMPLIANT



Solenoid shown energized with plunger fully seated

Part No.	Duty Cycle	Voltage	Resistance (Ω) ± 5%	Max On Time	Power (W)	Current (A)
C5-273-B-1	Intermittent	6 VDC	2.88	47 Secs	12	2.08
C5-272-B-1	Intermittent	12 VDC	11.52	47 Secs	12	1.04
C5-270-B-1	Continuous	12 VDC	48.65	∞	3	0.25
C5-270-B-1	Intermittent	24 VDC	48.65	47 Secs	12	0.49
C5-267-B-1	Continuous	24 VDC	191.73	∞	3	0.125

Continuous Duty = 100% "On" Time  
 Intermittent Duty = 25% "On" Time  
 When ordering please refer to Part No. as listed above  
 Please consult factory for custom configurations

Stroke (in.)	Typical Pull Force (oz.)								Holding Force (oz.)
	0.020	0.030	0.040	0.050	0.060	0.080	0.100	0.125	
Continuous Duty	6.2	5.1	4.2	3.2	2.9	2.3	1.6	1.1	14.0
Intermittent Duty	14.1	12.8	12.2	11.2	10.0	8.3	6.6	4.8	N/A

**Additional Specifications:**

- Dielectric Strength: 500 VRMS
- Recommended Heat Sink: All force values shown are with no heat sink and 20°C ambient temperature
- Coil Insulation: Class "B" - 130°C max temperature
- Total Unit Weight: 0.42 oz. / 11.9 g
- Plunger Weight: 0.08 oz. / 2.2 g

## X-ON Electronics

Largest Supplier of Electrical and Electronic Components

*Click to view similar products for [Solenoids & Actuators category](#):*

*Click to view products by [Ledex manufacturer](#):*

Other Similar products are found below :

[7014-S](#) [11-C-6D](#) [11-I-24A](#) [11-I-6D](#) [A-1223](#) [A-1410-1](#) [11P-C-6D](#) [A-376-T](#) [H-15234-029-20](#) [A420-065512-00](#) [A420-065513-00](#) [A420-065570-00](#) [A420-065571-00](#) [A420-065710-00](#) [A420-066011-00](#) [A420-066014-00](#) [A420-066083-00](#) [A420-066084-00](#) [A420-066947-00](#) [A420-067899-00](#) [A420-068516-00](#) [A421-062507-11](#) [A421-062507-12](#) [A490-367460-06](#) [A490-367460-13](#) [A490-367460-14](#) [A490-367460-15](#) [A490-367460-17](#) [A490-367461-00](#) [A490-367461-02](#) [A490-367462-03](#) [A490-367462-04](#) [A490-367462-05](#) [A490-367462-07](#) [A-728](#) [1251-A-1](#) [D4HD-24VDC-PULL-CONT](#) [12-C-120A](#) [12-I-120A](#) [129409-031](#) [143-B1A2](#) [1500-M-1](#) [1501-M-1](#) [152099-230](#) [15-516-502](#) [EE520-74410](#) [B20-501-A-1](#) [B20-753-A-1](#) [B24-253-A-1](#) [B24-501-A-1](#)