

Ledex® Magnetic Latching C Frame Size C5-L

Part Number: C5 - L - **XXX** - B - 1

All catalog products manufactured after April 1, 2006 are RoHS Compliant

Select from performance chart below

Specifications

Operation	Pull
Dielectric Strength	500 VRMS for one second
Unlatch Voltage	See schematic and coil data below
Magnet Hold Force*	1.29 lb (with return spring)
Coil Insulation	Class "B": 130°C max. temperature standard. Other temperature classes are available
Coil Termination	0.025" square pin terminals
Plunger Pole Face	Flat face with return spring (other options available upon request)
Spring Force	12.34 oz-in; 2.40 oz latched position
Plunger Weight	0.10 oz. (2.8 g)
Total Weight	0.42 oz. (11.9 g)
Dimensions	See page I 15

*In no power, latched position.

Performance

Maximum Duty Cycle	Unlatch			
	Voltage	50%	25%	10%
Maximum ON Time (sec)	∞	145	47	14
Watts (@ 20°C)	3	6	12	30
Ampere Turns (@ 20°C)	422	564	844	1268

Coil Data

Part Number	Resistance (@20°C)	Ref # Turns	VDC (Nom)	VDC (Nom)	VDC (Nom)	VDC (Nom)
C5-L-273-B-1	2.88	406	3	4	6	9
C5-L-272-B-1	11.52	795	6	8	12	19
C5-L-271-B-1	25.77	1222	9	12	18	28
C5-L-270-B-1	48.65	1642	12	17	24	38
C5-L-269-B-1	72.84	1968	15	21	30	47
C5-L-268-B-1	152.20	2860	21	30	43	68
C5-L-267-B-1	191.73	3202	24	34	48	76

NOTES:

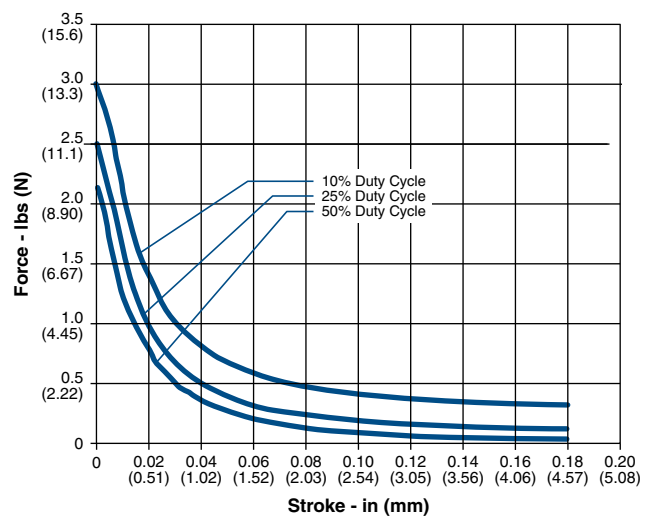
- All data is typical.
- Force testing is done with the solenoid in the horizontal position.
- All data reflects operation with no heatsink.
- Other coil terminations available.

- Well-suited for battery operation.



See the "Battery Operated Solenoids" section for complete information.

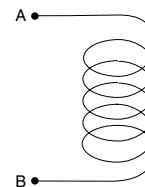
Force (Net, With Spring)



Coil Polarity

Latch: A+ B-
Unlatch: A- B+

(see drawing page I 15)



How to Order

Select the part number from the table provided. (For example, to order a 25% duty cycle unit rated at 48 VDC, specify C5-L-267-B-1.

Please see www.ledex.com (click on Stock Products tab) for our list of stock products available through our North American distributors.

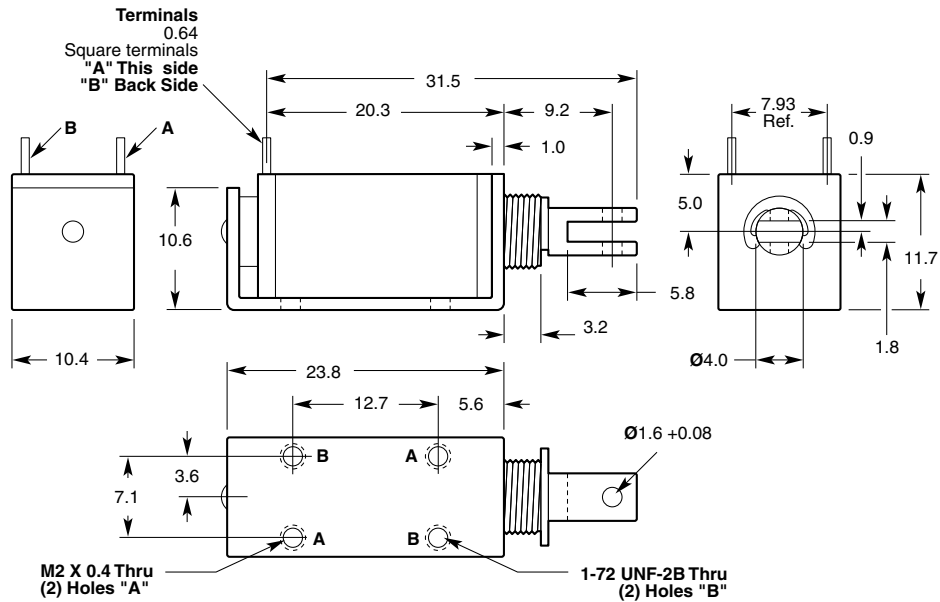
Force values for reference only.

All specifications subject to change without notice.

Ledex® C Frame Dimensions

Inches (mm)

C5-L



All solenoids are illustrated in energized state

All specifications subject to change without notice.

X-ON Electronics

Largest Supplier of Electrical and Electronic Components

Click to view similar products for [Solenoids & Actuators](#) category:

Click to view products by [Ledex](#) manufacturer:

Other Similar products are found below :

[045241X](#) [071044X](#) [1000-M-1](#) [1-1617080-3](#) [123421-033](#) [123421-036](#) [123422-028](#) [123422-032](#) [123423-027](#) [123423-030](#) [123423-033](#) [1250-A-1](#) [129409-028](#) [129409-031](#) [129415-026](#) [129415-029](#) [129450-026](#) [129450-029](#) [13050-BSP](#) [13050-CSA](#) [1335-CSA](#) [1350-CSA](#) [1369-CSA](#) [1370-15-D](#) [1370-30-D](#) [1380-15-D](#) [1380-30-D](#) [13ST15](#) [13ST25](#) [151082-234](#) [152099-226](#) [152099-228](#) [152099-230](#) [152099-233](#) [173921-023](#) [174432-024](#) [174432-027](#) [174534-035](#) [190834-029](#) [190835-030](#) [195191-031](#) [195200-234](#) [195200-237](#) [195202-231](#) [195202-234](#) [195202-237](#) [195203-234](#) [195203-237](#) [195204-227](#) [195204-230](#)