

STELLA-G2-VSM

IESNA Type V (square) beam for wide areas
such as car parks

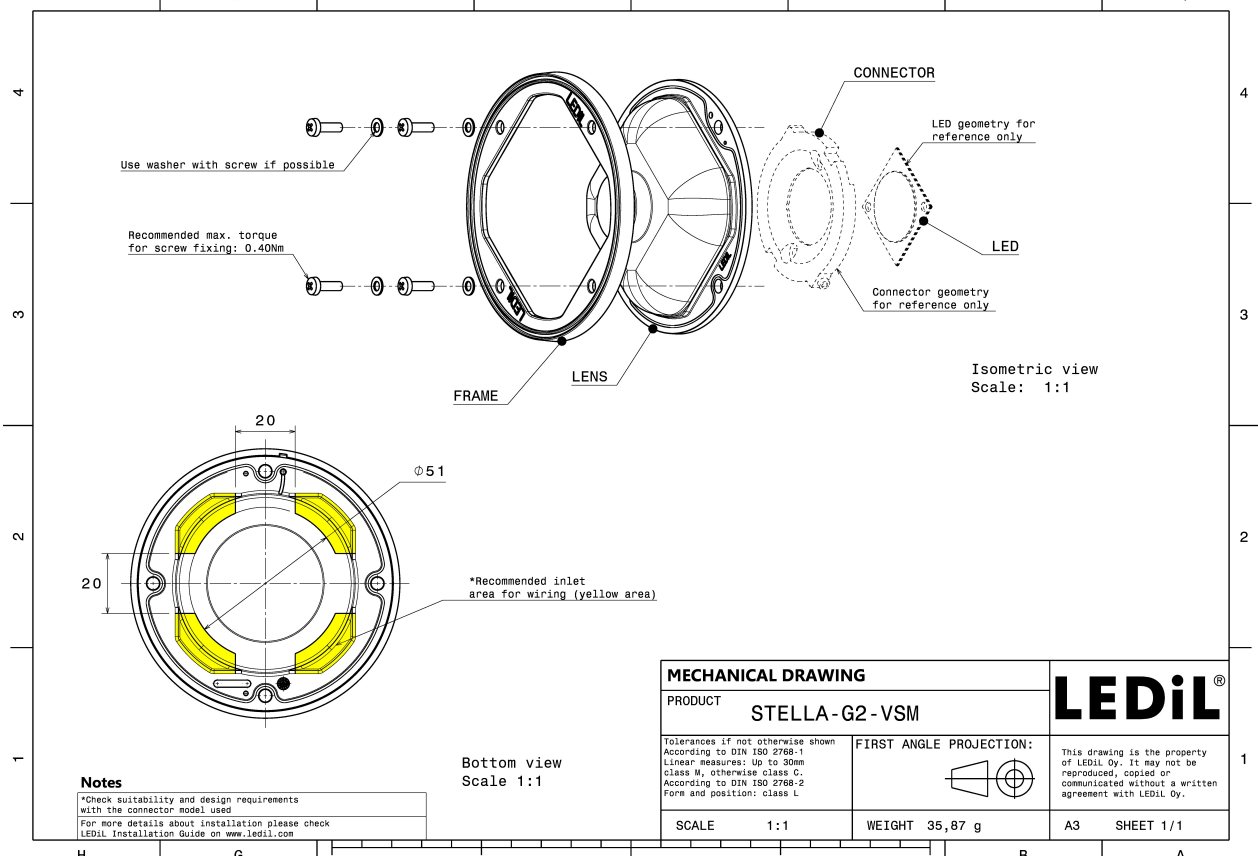
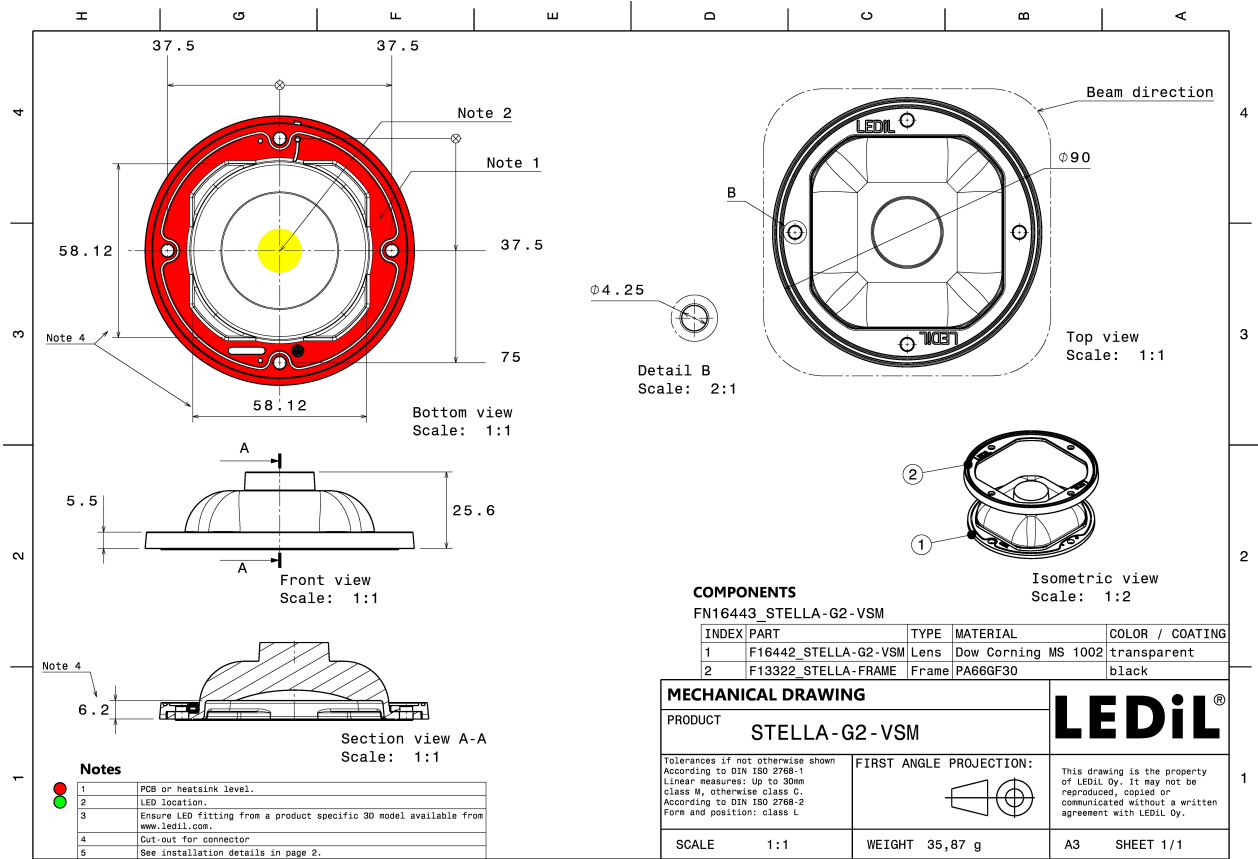
TECHNICAL SPECIFICATIONS:

Dimensions	Ø 90.0 mm
Height	25.6 mm
Fastening	screw, socket
Colour	black
Box size	480 x 280 x 300 mm
Box weight	7.2 kg
Quantity in Box	135 pcs
ROHS compliant	yes ⓘ

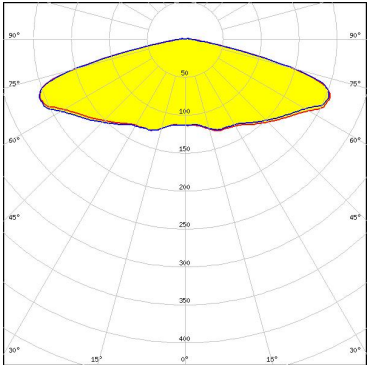
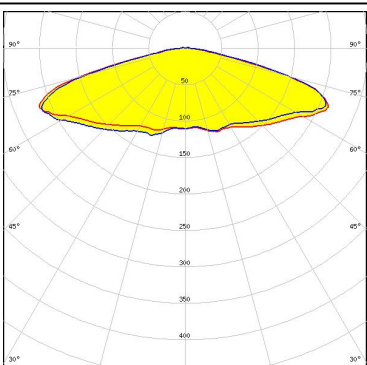
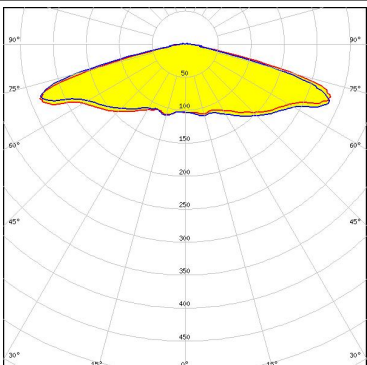
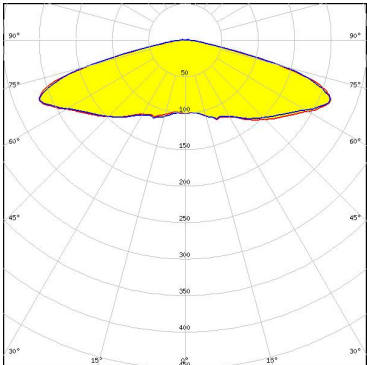


MATERIAL SPECIFICATIONS:

Component	Type	Material	Colour
STELLA-G2-VSM	Lens	Silicone	clear
STELLA-FRAME	Holder	PA66	black



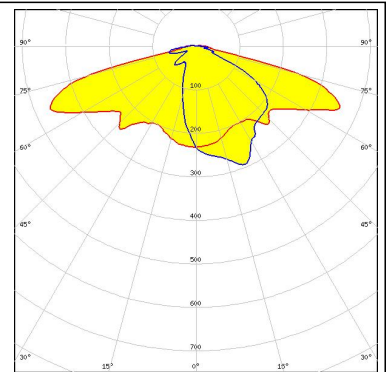
PHOTOMETRIC DATA (MEASURED):

<p>bridgelux.</p> <p>LED V22 Gen7 FWHM Asymmetric Efficiency 92 % Peak intensity 0.300 cd/lm Required components: TE: 2213480-1</p>	
<p>bridgelux.</p> <p>LED V22 Gen7 FWHM Asymmetric Efficiency 91 % Peak intensity 0.300 cd/lm Required components: Bender Wirth: 431 Typ Z1</p>	
<p>bridgelux.</p> <p>LED VERO18 FWHM Asymmetric Efficiency 91 % Peak intensity 0.330 cd/lm Required components:</p>	
<p>CITIZEN</p> <p>LED CLL04x/CLU04x FWHM Asymmetric Efficiency 90 % Peak intensity 0.280 cd/lm Required components:</p>	

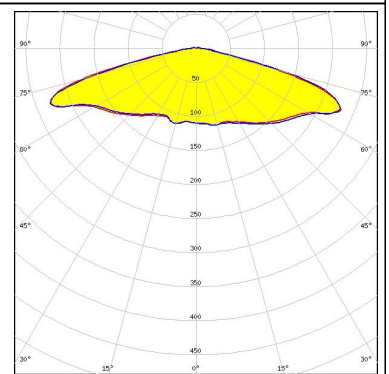
PHOTOMETRIC DATA (MEASURED):



LED CMA2550
FWHM Asymmetric
Efficiency 91 %
Peak intensity 0.300 cd/lm
Required components:



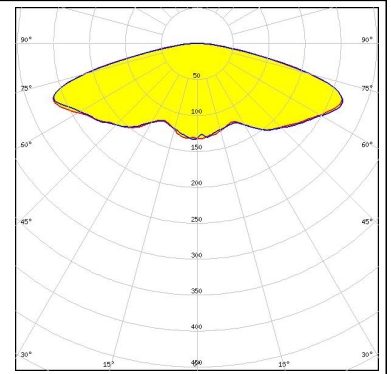
LED LUXEON CoB 1211
FWHM Asymmetric
Efficiency 91 %
Peak intensity 0.320 cd/lm
Required components:
Bender Wirth: 431 Typ L3



PHOTOMETRIC DATA (SIMULATED):

CREE 

LED CMA3090
FWHM Asymmetric
Efficiency 94 %
Peak intensity 0.260 cd/lm
Required components:



GENERAL INFORMATION:

NOTE: The typical beam angle will be changed by different color, chip size and chip position tolerance. The typical total beam angle is the full angle measured where the luminous intensity is half of the peak value.

Due to use of high power COB's with this product, special attention to proper thermal design is highly recommended. LEDiL has no liability for direct, indirect or consecutive damages arising from the LEDiL products being used outside of the recommended temperature range.

MATERIALS:

As part of our continuous research and improvement processes, and to ensure the best possible quality and availability of our products, LEDiL reserves the right to change material grades without notice.

PRODUCT DATA USER AGREEMENT AND DISCLAIMER:

The measured data in the provided downloadable LEDiL Product Datasheets and Mechanical 2D-Drawings is rounded and provided as reference for planning. LEDiL Oy's optical specifications have been verified by conducting performance testing of the products in accordance with the company's quality system. The reported data are averaged results of multiple measurements with typical variation. LEDiL Oy reserves the right to without prior notification make changes and improvements to its products.

LEDiL Oy assumes neither warranty, nor guarantee nor any other liability of any kind for the contents and correctness of the provided data. The provided data has been generated with highest diligence but the provided data may in reality not represent the complete possible variation range of all intrinsic parameters. Therefore, in certain cases a deviation from the provided data could occur.

LEDiL Oy reserves the right to undertake technical changes of its products without further notification which could lead to changes in the provided data. LEDiL Oy assumes no liability of any kind for the possible deviation from any provided data or any other damage resulting from the usage of the provided data.

The user agrees to this disclaimer and user agreement with the download or usage of the provided files.

LEDiL Oy

Joensuunkatu 13
FI-24240 SALO
Finland

LEDiL Inc.

228 West Page Street
Suite D
Sycamore IL 60178
USA

Local sales and technical support

www.ledil.com/where_to_buy

Shipping locations

Salo, Finland
Hong Kong, China

Distribution Partners

www.ledil.com/where_to_buy

X-ON Electronics

Largest Supplier of Electrical and Electronic Components

Click to view similar products for [High Power LEDs - Multi-Color category](#):

Click to view products by [Osram manufacturer](#):

Other Similar products are found below :

[LZ4-00MD09-0000](#) [LZ4-04MDC9-0000](#) [LZP-L0H100-0000](#) [LZP-W0MD00-0000](#) [LZP-W0H100-0000](#) [LZC-R0H100-0000](#) [LZ4-04MDPB-0000](#) [WD-5](#) [L24-ZRGBA](#) [MCE4CT-A2-0000-00A4AAAB1](#) [MCE4CT-A2-0000-00A5AAAA1](#) [XMLCTW-A0-0000-00C2AAAB1](#) [XMLCTW-A0-0000-00C3ACC02](#) [XMLCTW-A2-0000-00C2AAAB1](#) [IN-505FCHWV](#) [AAAF5051-05](#) [LZ4-00D100](#) [LZ4-00MC00](#) [LZ4-00MD00](#) [LZ4-20MA00](#) [LZ4-20MC00](#) [LZ4-24MDCA-0000](#) [LZ7-04M2PD-0000](#) [LZ7-A4M2PD-0000](#) [LZC-03MA07](#) [LZC-03MD07](#) [LZC-80MC00](#) [LZC-A0MA00](#) [LZC-B3MA07](#) [LZP-L0MD00-0000](#) [LZP-L4MD00-0000](#) [SML-LX1610RGBW/A](#) [L1MC-RGB0035000MP0](#) [SBM-40-RGBW-SC41-QD100](#) [LERTDCYS2WNKBLA1MANAPAXAZ3LBMBYS](#) [LE RTDUW S2W](#) [LERTDUWS2WNKBLA1MANAPAXAZPMBNBCQ](#) [LE RTDUW S2WP](#) [LERTDUWS2WP-LAMB-1+NAPA-P+ABBB-3+NBPB-BQ](#) [F50360](#)