

PRODUCT DATASHEET

Cindy series

last update 22/5/2012

**Ordering number C10859_CINDY-S**

Family	Cindy	FWHM	22 degrees
Type	Reflector	Efficiency	90 %
LED	CL-L251	cd/lm	2.400
Color	Metal	Gerber File	Available
Diameter	22.6 mm		
Height	12.5 mm		
Style	Hexag		
Optic Material	-		
Holder Material	PC		
Fastening	Glue		
Status	Ready		

**Ordering number C10980_CINDY-M**

Family	Cindy	FWHM	34 degrees
Type	Reflector	Efficiency	87 %
LED	CL-L251	cd/lm	2.000
Color	Metal	Gerber File	Available
Diameter	22.6 mm		
Height	12.5 mm		
Style	Hexag		
Optic Material	PC		
Holder Material	-		
Fastening	Glue		
Status	Ready		

**Ordering number C10981_CINDY-W**

Family	Cindy	FWHM	52 degrees
Type	Reflector	Efficiency	86 %
LED	CL-L251	cd/lm	1.300
Color	Metal	Gerber File	Available
Diameter	22.6 mm		
Height	12.5 mm		
Style	Hexag		
Optic Material	PC		
Holder Material	-		
Fastening	Glue		
Status	Ready		

NOTE: The typical divergence will be changed by different color, chip size and chip position tolerance. The typical total divergence is the full angle measured where the luminous intensity is half of the peak value.



PRODUCT DATASHEET

Cindy series

last update 22/5/2012

GENERAL INFORMATION

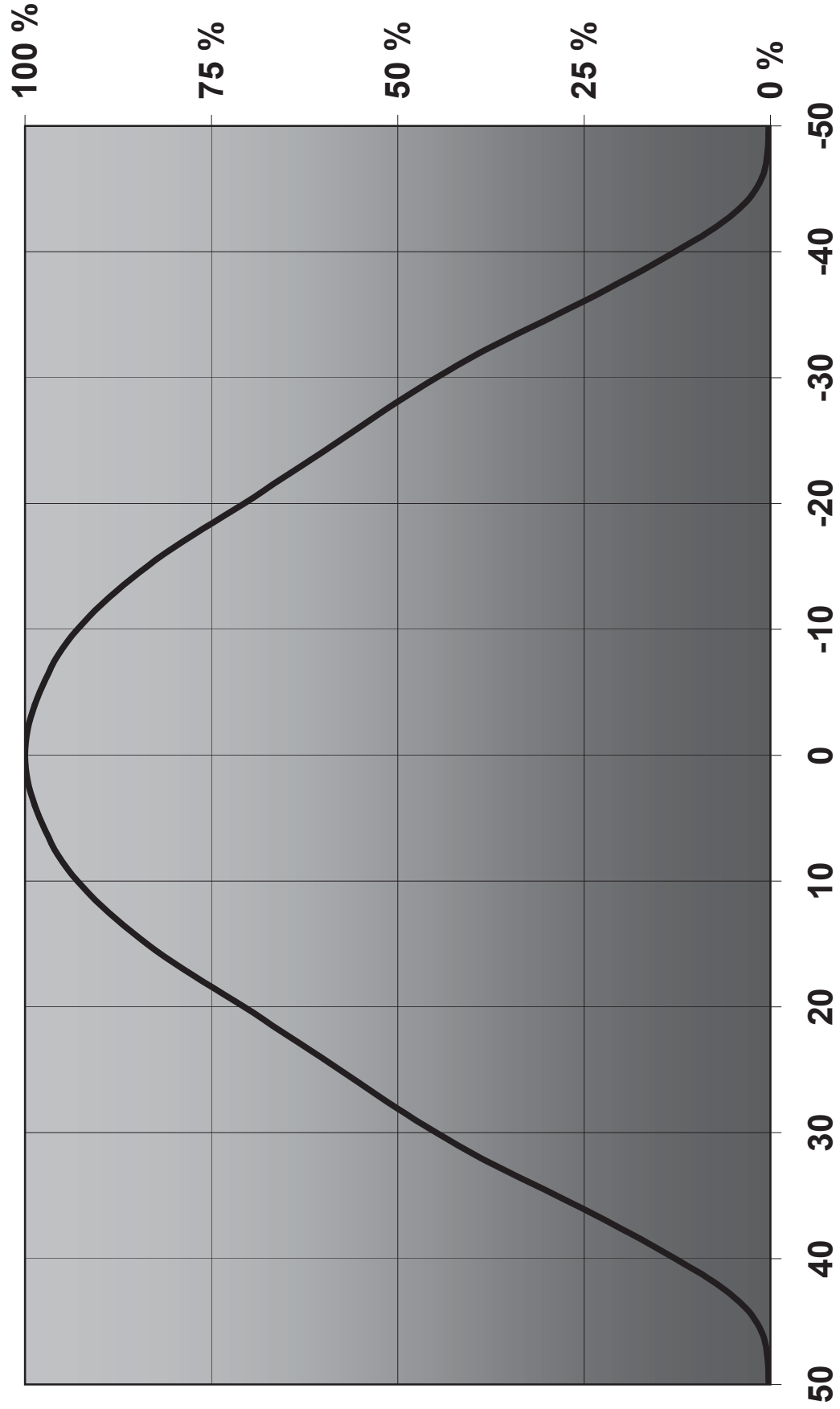
- Product series especially designed & optimized for CL-L251 series of LEDs.
 - Special care taken to make light distribution as uniform as possible.
 - Reflector is made of aluminium coated PC (120 degrees of Celcius / 248 degrees of Fahrenheit) with protective lacquer (110 degrees of Celcius / 230 degrees of Fahrenheit).
 - Optic holder molded by high quality PC material (120 dergees of Celcius / 248 degrees of Fahrenheit).
- Fastening to PCB with appropriate adhesive. By clicking link below you can find Ledil recommended glue options.
http://www.ledil.com/datasheets/DataSheet_GLUES.pdf

NOTE 1: We advise customer to ensure the suitability and sufficiency of the bond in the end product. For example, mechanical stress, vibration and holes on the surface of the circuit board weaken the strength of the glue.

NOTE 2: All surfaces where glue is applied must be clean, dry and free from grease and dirt. If cleaning of PCB surfaces is needed, please follow strictly the cleaning instructions of your LED manufacturer -this is important as cleaning shall under no circumstances damage LEDs or other electronics components on the PCB.

Further note that optical components shall not be cleaned with any chemicals - only micro fiber cloth may be used to remove fingerprints or other traces from handling.

Relative Intensity of C10981_Cindy-L251-W



D

C

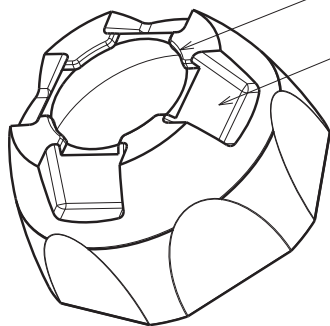
B

A

Guides for centering to LED

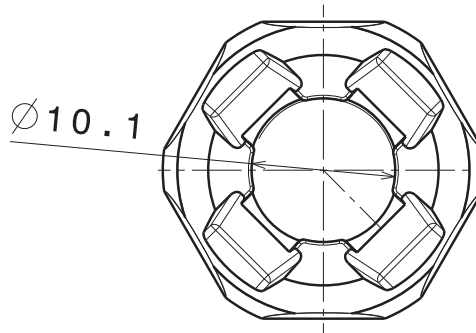
Recesses for solder pads/ screws

4



Bottom view

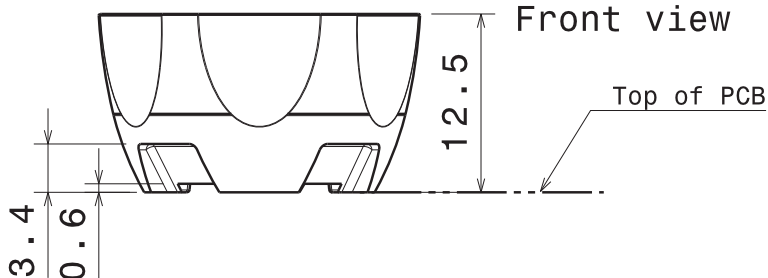
4



3

Front view

3



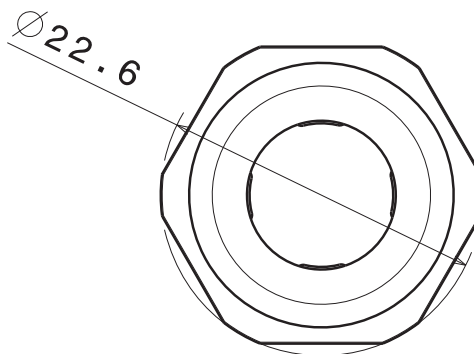
2

Material: PC
Coating: metal+clear lacquer

2

Versions;
C10859 Spot
C10980 Medium
C10981 Wide

Top view



This drawing is our property.
It can't be reproduced
or communicated without
our written agreement.



Ledil Oy
Tehdaskatu 13
FIN-24100 SALO
Finland

DRAWING TITLE

DRAWN BY
pv

DATE
17.03.2010

Datasheet Cindy L251 Reflector

CHECKED BY
tk

DATE
24.02.2010

SIZE
A4

DRAWING NUMBER
10859, 10980, 10981

REV
2

DESIGNED BY
jj

DATE
07.08.2008

SCALE 2:1 WEIGHT(g)

SHEET 1/1

D

A

X-ON Electronics

Largest Supplier of Electrical and Electronic Components

Click to view similar products for [LED Lighting Reflectors](#) category:

Click to view products by [Ledil](#) manufacturer:

Other Similar products are found below :

[LL04CR-CFN35155L02](#) [LL04CR-CFN60155L02](#) [LL04CR-CGM85135L02](#) [F13185_GERI-RZ](#) [10604](#) [LL01SP-ATH15R49](#) [10170](#) [12527](#)
[12531](#) [12568](#) [C13253_TINA2-R-CLIP16](#) [CA14591_BROOKE-XW](#) [F15560_MIRELLA-G2-W](#) [CA11525_LAURA-R-W](#) [12796](#) [LMH020-](#)
[REFL-0000-0000062](#) [LMH020-REFL-0000-0000082](#) [C12606_LENINA-DL](#) [CN12711_LENINA-W-DL](#) [C11394_TYRA-S](#) [C11396_TYRA-](#)
[W](#) [C11508_BROOKE-W](#) [C11552_BARBARA-S](#) [C11553_BARBARA-W](#) [C11862_MINNIE-W](#) [C11979_LENA-S](#) [C11980_LENA-W](#)
[C11996_LENA-LENS](#) [C12083_BROOKE-SCR-M](#) [C12095_MINNIE-M](#) [C12097_MINNIE-WWW](#) [C12154_LENA-M](#) [C12469_LISA2-R-](#)
[PIN](#) [C12476_MIRELLA-50-S](#) [C12477_MIRELLA-50-M](#) [C12480_MIRELLA-50-S-PIN](#) [C12516_RITA-WAS](#) [C12597_LENINA-S](#)
[C12599_LENINA-W](#) [C12948_LENA-WAS](#) [C12958_LENINA-XW](#) [C13085_MIRELLA-50-S-PF](#) [C13087_MIRELLA-50-W-PF](#)
[C13101_LENA-X-WAS](#) [C13555_BRIDGET-W-UNI](#) [C13556_BRIDGET-M-UNI](#) [C13557_BRIDGET-S-UNI](#) [C14346_ANGELETTE-WAS](#)
[C17099_ALISE-50-DL](#) [C17095_ALISE-70-CL](#)