



Ordering number C12512_RITA-A

Family	Rita	FWHM	Asym degrees
Type	Reflector	Efficiency	85 %
LED	XM-L	cd/lm	0.600
Color	White	Gerber File	Available
Diameter	36+28.4 mm		
Height	17.1 mm		
Style	Rectangular		
Optic Material	PC		
Holder Material	-		
Fastening	Pin, glue		
Status	Ready		

Ordering number CA12514_RITA-A

Family	Rita	FWHM	Asym degrees
Type	Reflector	Efficiency	85 %
LED	XM-L	cd/lm	0.600
Color	White	Gerber File	Available
Diameter	36 + 28.4 mm		
Height	17.3 mm		
Style	Rectangular		
Optic Material	PC		
Holder Material	-		
Fastening	Pin, tape		
Status	Ready		

NOTE: The typical divergence will be changed by different color, chip size and chip position tolerance. The typical total divergence is the full angle measured where the luminous intensity is half of the peak value.



PRODUCT DATASHEET

Rita series

last update 4/9/2012



GENERAL INFORMATION

- Product series especially designed & optimized for XM-L series of LEDs.
- Special care taken to make light distribution as uniform as possible.
- Reflector is made of aluminium coated PC (120 degrees of Celcius / 248 degrees of Fahrenheit) with protective lacquer (110 degrees of Celcius / 230 degrees of Fahrenheit).
- Fastening to heat sink with a PU foam adhesive tape of automotive grade. Please find fastening details by clicking link: http://www.ledil.com/datasheets/DataSheet_TAPE.pdf
- Fastening to PCB with appropriate adhesive. By clicking link below you can find Ledil recommended glue options.
http://www.ledil.com/datasheets/DataSheet_GLUES.pdf

NOTE 1: We advise customer to ensure the suitability and sufficiency of the bond in the end product. For example, mechanical stress, vibration and holes on the surface of the circuit board weaken the strength of the tape.

NOTE 2: Assembly to the surface must be made straight, so the tape bonds constant and balanced with fastening surface. Slanted assembly might cause unbalanced bond to the surface. All surfaces where tape is applied must be clean, dry and free from grease and dirt.

If cleaning of PCB surfaces is needed, please follow strictly the cleaning instructions of your LED manufacturer - this is important as cleaning shall under no circumstances damage LEDs or other electronics components on the PCB.

Further note that optical components shall not be cleaned with any chemicals - only micro fiber cloth may be used to remove fingerprints or other traces from handling.

NOTE 1: We advise customer to ensure the suitability and sufficiency of the bond in the end product. For example, mechanical stress, vibration and holes on the surface of the circuit board weaken the strength of the glue.

NOTE 2: All surfaces where glue is applied must be clean, dry and free from grease and dirt. If cleaning of PCB surfaces is needed, please follow strictly the cleaning instructions of your LED manufacturer -this is important as cleaning shall under no circumstances damage LEDs or other electronics components on the PCB.

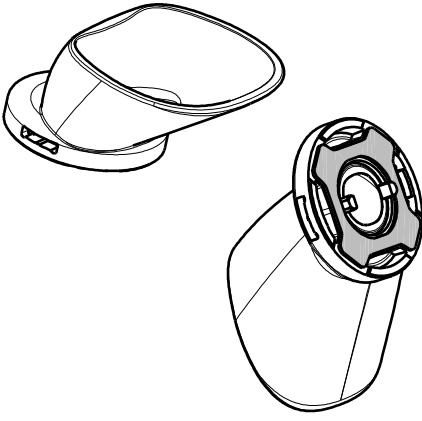
Further note that optical components shall not be cleaned with any chemicals - only micro fiber cloth may be used to remove fingerprints or other traces from handling.

D

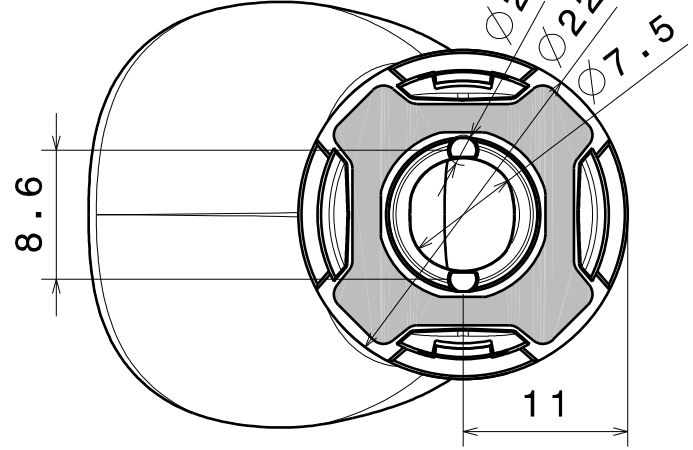
C

B

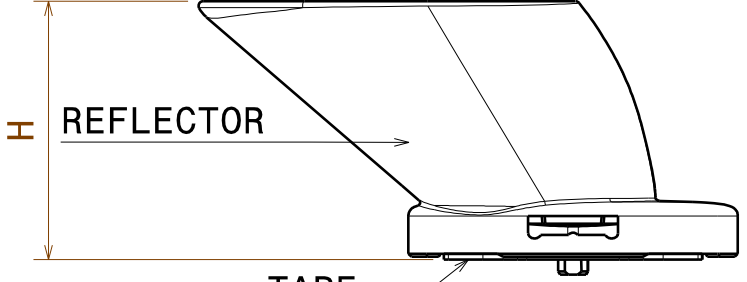
A



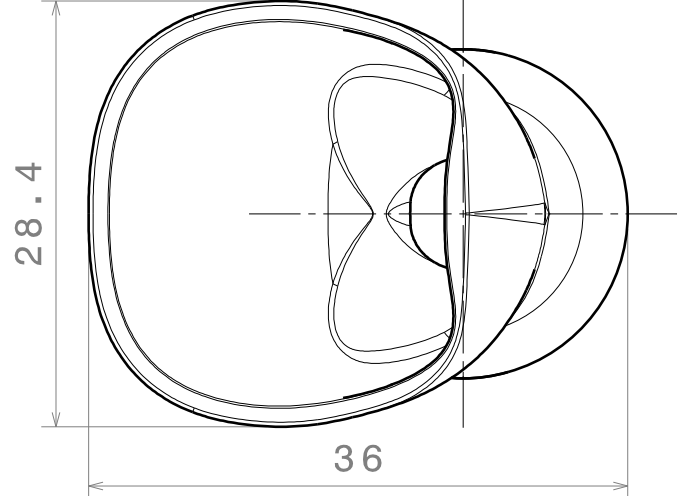
Isometric view



Bottom view



Front view



Top view

DIMENSION H:
 - WITH TAPE 17.3mm
 - WITHOUT TAPE 17.1mm

Tolerances for dimensions:
 0-20mm tolerance value +/-0.1mm
 21-45mm tolerance value +/-0.2mm
 46-90mm tolerance value +/-0.3mm
 91-100mm tolerance value +/-0.4mm
 101-mm tolerance value +/-0.5mm

This drawing is our property.
 It can't be reproduced
 or communicated without
 our written agreement.



Ledil Oy
 Salorankatu 10
 FIN 24240 SALO
 Finland

DRAWING TITLE
Datasheet RITA-A reflector

DRAWN BY
 mav

DATE
 30.12.2011

CHECKED BY
 sn

DATE
 30.12.2011

SIZE **A4** DRAWING NUMBER -

REV
1

DESIGNED BY
 hh/pl

DATE
 30.12.2011

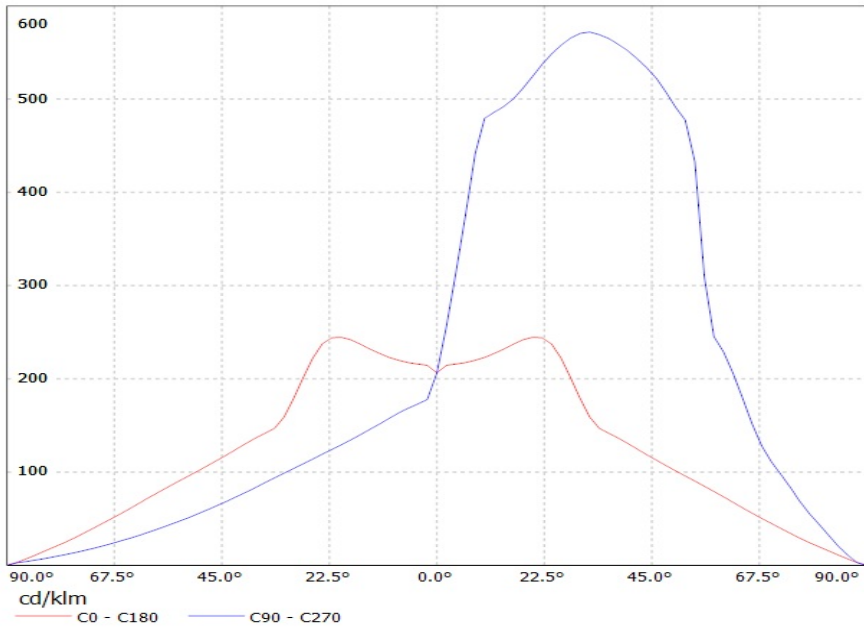
SCALE 1:1 WEIGHT (g)

SHEET 1/1

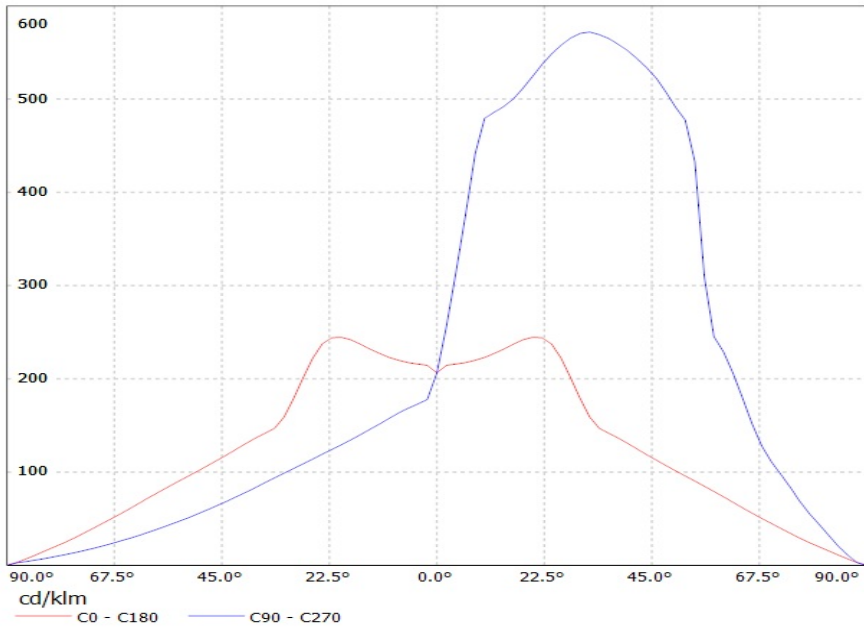
D

A

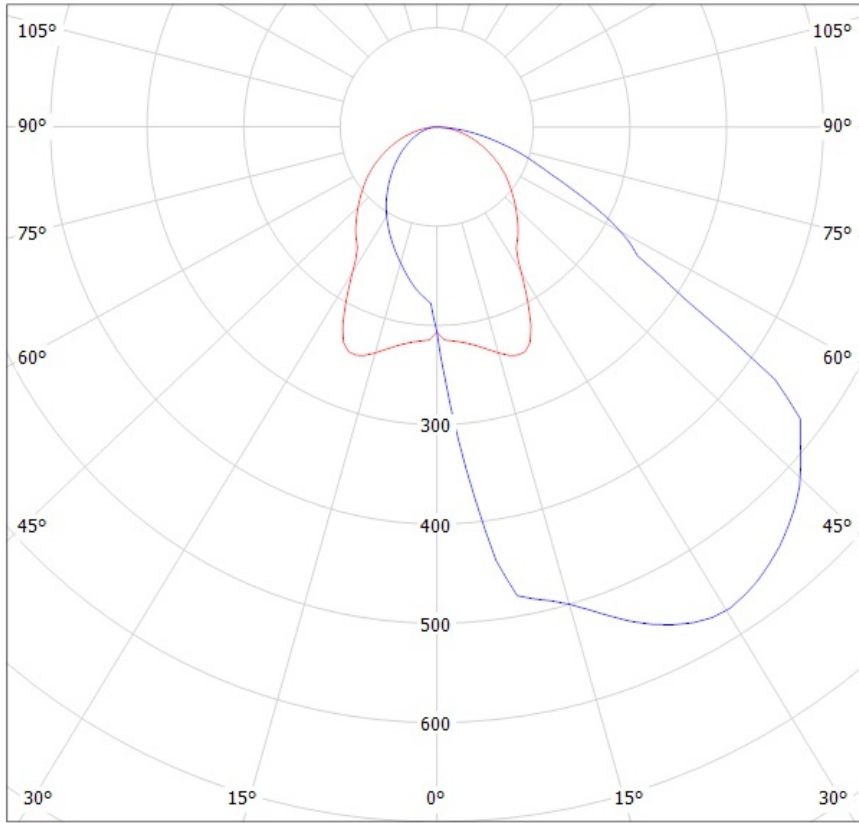
Luminaire: Ledil Oy C12512_RITA-A / CA12514_RITA-A (XM-L) Efficiency=85%
Lamps: 1 x Cree XM-L 87lm@250mA



Luminaire: Ledil Oy C12512_RITA-A / CA12514_RITA-A (XM-L) Efficiency=85%
Lamps: 1 x Cree XM-L 87lm@250mA



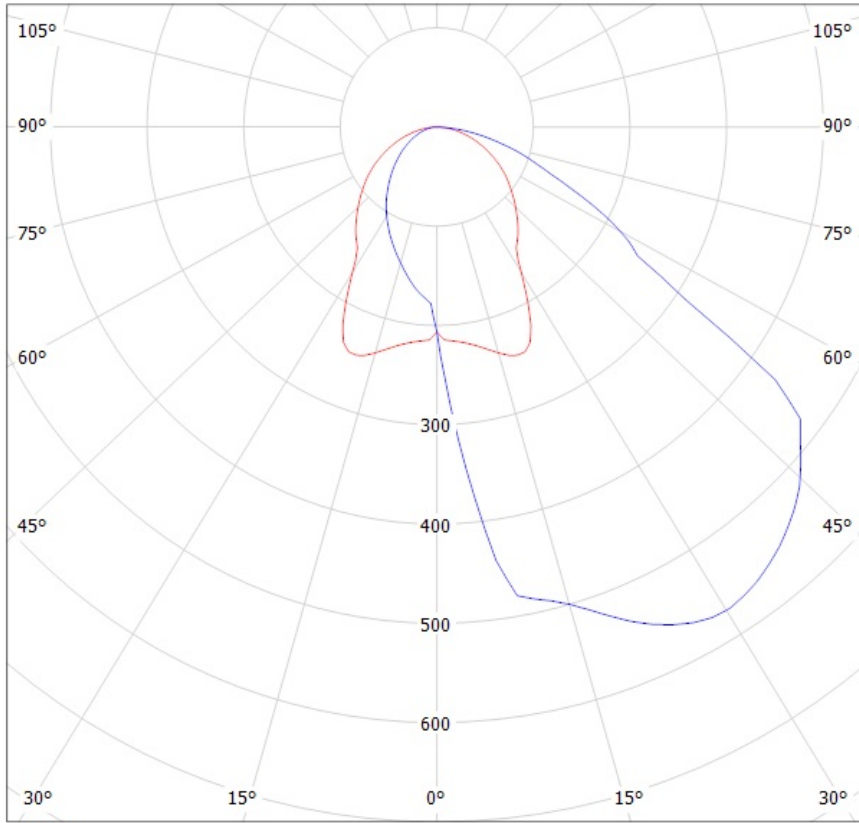
Luminaire: Ledil Oy C12512_RITA-A / CA12514_RITA-A (XM-L) Efficiency=85%
Lamps: 1 x Cree XM-L 87lm@250mA



cd/klm

— C0 - C180 — C90 - C270

Luminaire: Ledil Oy C12512_RITA-A / CA12514_RITA-A (XM-L) Efficiency=85%
Lamps: 1 x Cree XM-L 87lm@250mA



cd/klm

— C0 - C180 — C90 - C270

X-ON Electronics

Largest Supplier of Electrical and Electronic Components

Click to view similar products for [LED Lighting Reflectors](#) category:

Click to view products by [Ledil](#) manufacturer:

Other Similar products are found below :

[LL04CR-CFN35155L02](#) [LL04CR-CFN60155L02](#) [LL04CR-CGM85135L02](#) [F13185_GERI-RZ](#) [10604](#) [LL01SP-ATH15R49](#) [10170](#) [12527](#)
[12531](#) [12568](#) [C13253_TINA2-R-CLIP16](#) [CA14591_BROOKE-XW](#) [F15560_MIRELLA-G2-W](#) [CA11525_LAURA-R-W](#) [12796](#) [LMH020-](#)
[REFL-0000-0000062](#) [LMH020-REFL-0000-0000082](#) [C12606_LENINA-DL](#) [CN12711_LENINA-W-DL](#) [C11394_TYRA-S](#) [C11396_TYRA-](#)
[W](#) [C11508_BROOKE-W](#) [C11552_BARBARA-S](#) [C11553_BARBARA-W](#) [C11862_MINNIE-W](#) [C11979_LENA-S](#) [C11980_LENA-W](#)
[C11996_LENA-LENS](#) [C12083_BROOKE-SCR-M](#) [C12095_MINNIE-M](#) [C12097_MINNIE-WWW](#) [C12154_LENA-M](#) [C12469_LISA2-R-](#)
[PIN](#) [C12476_MIRELLA-50-S](#) [C12477_MIRELLA-50-M](#) [C12480_MIRELLA-50-S-PIN](#) [C12516_RITA-WAS](#) [C12597_LENINA-S](#)
[C12599_LENINA-W](#) [C12948_LENA-WAS](#) [C12958_LENINA-XW](#) [C13085_MIRELLA-50-S-PF](#) [C13087_MIRELLA-50-W-PF](#)
[C13101_LENA-X-WAS](#) [C13555_BRIDGET-W-UNI](#) [C13556_BRIDGET-M-UNI](#) [C13557_BRIDGET-S-UNI](#) [C14346_ANGELETTE-WAS](#)
[C17099_ALISE-50-DL](#) [C17095_ALISE-70-CL](#)