

## FLARE-MAXI-T

43 x 28 mm lens with ~80° + 20° tilted oval beam  
for low pole street/pathway lighting

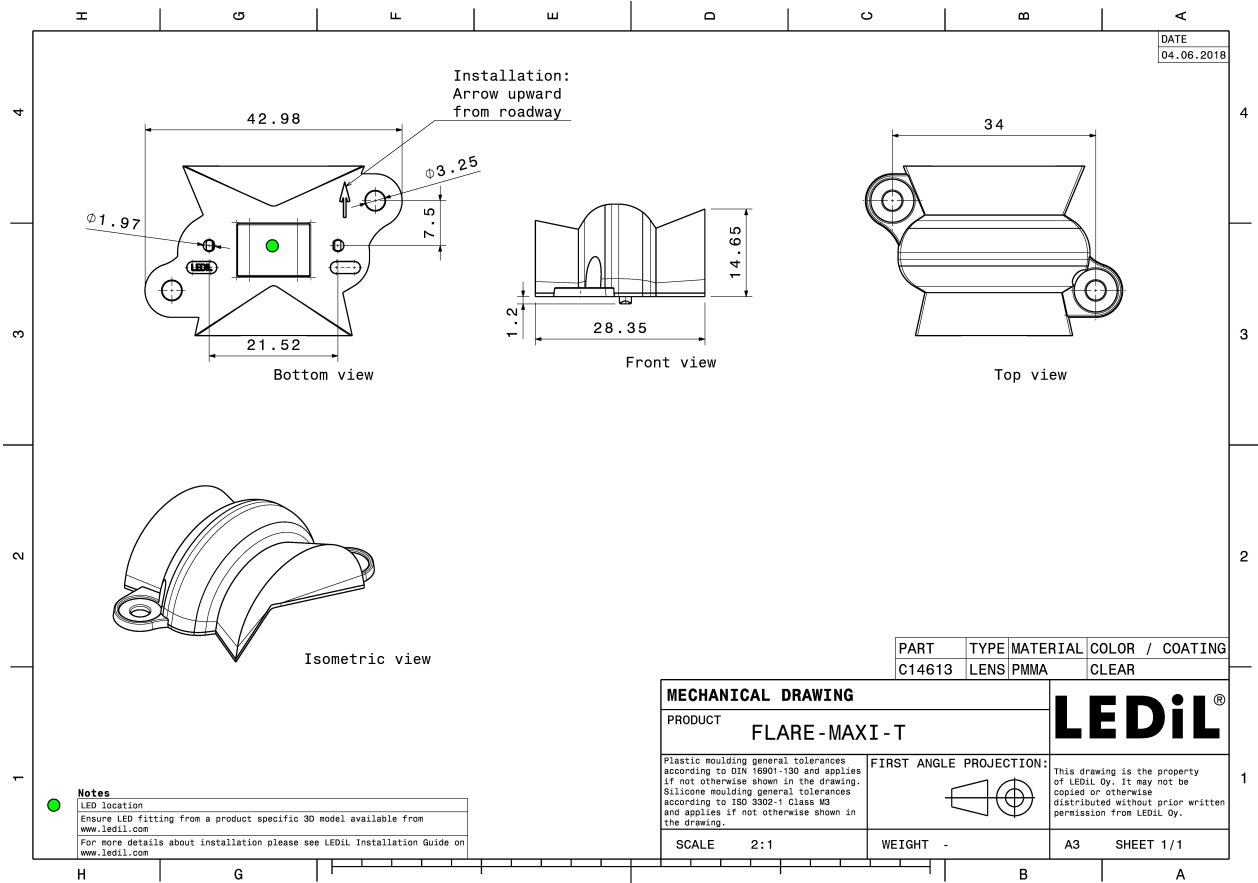
### TECHNICAL SPECIFICATIONS:

Dimensions	43.0 x 28.4 mm
Height	15.5 mm
Fastening	pin, screw
Colour	clear
Box size	
Box weight	10 kg
Quantity in Box	1176 pcs
ROHS compliant	yes ⓘ



### MATERIAL SPECIFICATIONS:

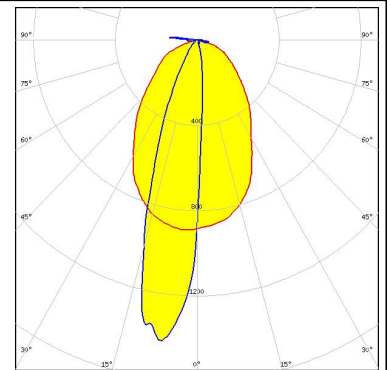
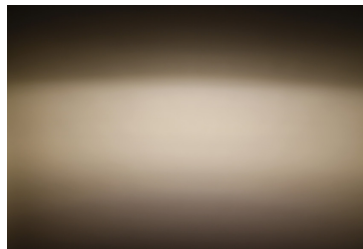
Component	Type	Material	Colour
FLARE-MAXI-T	Single lens	PMMA	clear



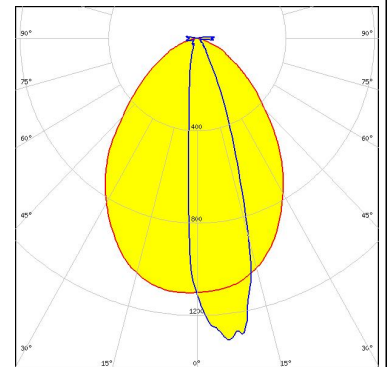
### PHOTOMETRIC DATA (MEASURED):



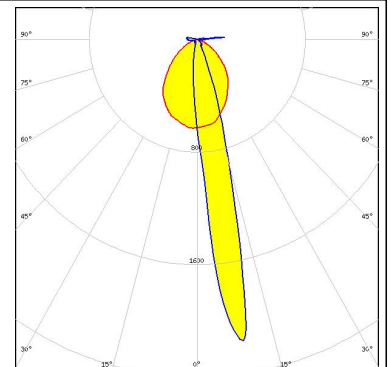
LED MK-R  
 FWHM 76.0 + 19.0°  
 Efficiency 89 %  
 Peak intensity 1.450 cd/lm  
 LEDs/each optic 1  
 Light colour White  
 Required components:



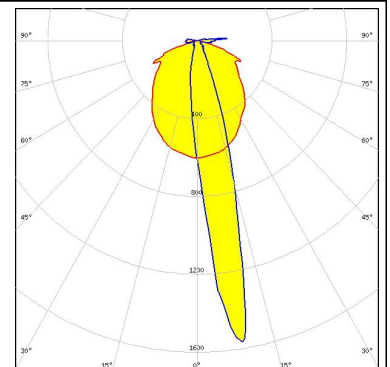
LED LUXEON M/MX  
 FWHM 82.0 + 21.0°  
 Efficiency 93 %  
 Peak intensity 1.300 cd/lm  
 LEDs/each optic 1  
 Light colour White  
 Required components:



LED NVSW219F  
 FWHM Asymmetric  
 Efficiency 94 %  
 Peak intensity 2.200 cd/lm  
 LEDs/each optic 1  
 Light colour White  
 Required components:



SEOL SEMICONDUCTOR  
 LED Z8Y22P  
 FWHM Asymmetric  
 Efficiency 94 %  
 Peak intensity 1.600 cd/lm  
 LEDs/each optic 1  
 Light colour White  
 Required components:





### GENERAL INFORMATION:

NOTE: The typical beam angle will be changed by different color, chip size and chip position tolerance. The typical total beam angle is the full angle measured where the luminous intensity is half of the peak value.

### MATERIALS:

As part of our continuous research and improvement processes, and to ensure the best possible quality and availability of our products, LEDiL reserves the right to change material grades without notice.

### PRODUCT DATA USER AGREEMENT AND DISCLAIMER:

The measured data in the provided downloadable LEDiL Product Datasheets and Mechanical 2D-Drawings is rounded and provided as reference for planning. LEDiL Oy's optical specifications have been verified by conducting performance testing of the products in accordance with the company's quality system. The reported data are averaged results of multiple measurements with typical variation. LEDiL Oy reserves the right to without prior notification make changes and improvements to its products.

LEDiL Oy assumes neither warranty, nor guarantee nor any other liability of any kind for the contents and correctness of the provided data. The provided data has been generated with highest diligence but the provided data may in reality not represent the complete possible variation range of all intrinsic parameters. Therefore, in certain cases a deviation from the provided data could occur.

LEDiL Oy reserves the right to undertake technical changes of its products without further notification which could lead to changes in the provided data. LEDiL Oy assumes no liability of any kind for the possible deviation from any provided data or any other damage resulting from the usage of the provided data.

The user agrees to this disclaimer and user agreement with the download or usage of the provided files.

#### LEDiL Oy

Joensuunkatu 13  
FI-24240 SALO  
Finland

#### LEDiL Inc.

228 West Page Street  
Suite D  
Sycamore IL 60178  
USA

#### Local sales and technical support

[www.ledil.com/  
where\\_to\\_buy](http://www.ledil.com/where_to_buy)

#### Shipping locations

Salo, Finland  
Hong Kong, China

#### Distribution Partners

[www.ledil.com/  
where\\_to\\_buy](http://www.ledil.com/where_to_buy)

## X-ON Electronics

Largest Supplier of Electrical and Electronic Components

*Click to view similar products for [LED Lighting Lenses](#) category:*

*Click to view products by [Ledil](#) manufacturer:*

Other Similar products are found below :

[LL01ED-AK40L06](#) [LL01ZZ-EX25L06-M2](#) [180182-0000](#) [FNP-N2-N083-0R NRW](#) [LL01ED-ALI55R49](#) [0190535300](#) [0410111300](#)  
[0510113303](#) [0530997](#) [2710121](#) [C11004\\_TINA2-RS](#) [C12231\\_LENA-FRESNEL-LENS](#) [LL01ED-AKY24R49](#) [LL01CR-AYG15R49](#)  
[LL01CR-OT32L06-M2](#) [LL01ZZ-AAA24L49](#) [LL01CR-CEN38L02](#) [LL01ZZ-AAA55L49](#) [LL01CR-AYG24R49](#) [LL01A00CZMB2-M2](#)  
[LL01ED-AKY38R49](#) [LL01CR-CNE2545L06-M2](#) [LL01ZZ-AAA38L49](#) [LL01ED-AKV36R49](#) [LL01ED-ALI24R49](#) [LL01CR-AYG38R49](#)  
[FN15973\\_RONDA-REC-60-C](#) [F16859\\_LINDA-ZT25](#) [C14169\\_LENA-CLEAR-LENS](#) [C16125\\_OLGA-W](#) [C17410\\_SPORT-2X2-FT6](#)  
[C17414\\_SPORT-2X2-S6](#) [C17409\\_SPORT-2X2-FT6W](#) [C17360\\_SPORT-2X2-FT60](#) [C17434\\_ILONA-WW](#) [F16636\\_LINDA-W60](#) [10003](#)  
[10003/15](#) [10048](#) [10049](#) [10108](#) [CP10960\\_RGBX-SS](#) [CP12395\\_LXP3-W](#) [10415](#) [10510](#) [1-1000288-0](#) [F14487\\_FLORENCE-1R-MAXI-WG](#)  
[12667](#) [C14165\\_STRADA-2X2-ME-WIDE2](#) [C14605\\_HB-2X2-RW](#)