



<b>Ordering number</b>	<b>CA12106</b>		
<b>Description</b>	<b>CA12106_Lena-S_CXA20</b>		
Family	Lena	FWHM	10.5 degrees
Type	Reflector	Efficiency	-
LED	CXA20	cd/lm	-
Color	Metal	Gerber File	Available
Diameter	111 mm		
Height	87 mm		
Style	Round		
Optic Material	PC		
Holder Material	PC		
Fastening	Screw		
Status	Ready		



<b>Ordering number</b>	<b>CA12163</b>		
<b>Description</b>	<b>CA12163_Lena-M_CXA20</b>		
Family	Lena	FWHM	17 degrees
Type	Reflector	Efficiency	-
LED	CXA20	cd/lm	-
Color	Metal	Gerber File	Available
Diameter	111 mm		
Height	87 mm		
Style	Round		
Optic Material	PC		
Holder Material	PC		
Fastening	Screw		
Status	Ready		



<b>Ordering number</b>	<b>CA12108</b>		
<b>Description</b>	<b>CA12108_Lena-W_CXA20</b>		
Family	Lena	FWHM	41 degrees
Type	Reflector	Efficiency	-
LED	CXA20	cd/lm	-
Color	Metal	Gerber File	Available
Diameter	111 mm		
Height	87 mm		
Style	Round		
Optic Material	PC		
Holder Material	PC		
Fastening	Screw		
Status	Ready		

<b>Ordering number</b>	<b>CA12107</b>		
<b>Description</b>	<b>CA12107_Lena-S-Diffuser-Lens_CXA20</b>		
Family	Lena	FWHM	11 degrees
Type	Reflector	Efficiency	-
LED	CXA20	cd/lm	-
Color	Metal	Gerber File	Available
Diameter	111 mm		
Height	88.6 mm		
Style	Round		
Optic Material	PC		
Holder Material	PC		
Fastening	Screw		
Status	Ready		



# PRODUCT DATASHEET

## Lena-CXA20 series



<b>Ordering number</b>	<b>CA12167</b>		
<b>Description</b>	<b>CA12167_Lena-M-Diffuser-Lens_CXA20</b>		
Family	Lena	FWHM	18 degrees
Type	Reflector	Efficiency	-
LED	CXA20	cd/lm	-
Color	Metal	Gerber File	Available
Diameter	111 mm		
Height	88.6 mm		
Style	Round		
Optic Material	PC		
Holder Material	PC		
Fastening	Screw		
Status	Ready		

<b>Ordering number</b>	<b>CA12109</b>		
<b>Description</b>	<b>CA12109_Lena-W-Diffuser-Lens_CXA20</b>		
Family	Lena	FWHM	42 degrees
Type	Reflector	Efficiency	-
LED	CXA20	cd/lm	-
Color	Metal	Gerber File	Available
Diameter	111 mm		
Height	88.6 mm		
Style	Round		
Optic Material	PC		
Holder Material	PC		
Fastening	Screw		
Status	Ready		

**NOTE: The typical divergence will be changed by different color, chip size and chip position tolerance. The typical total divergence is the full angle measured where the luminous intensity is half of the peak value.**



## PRODUCT DATASHEET Lena-CXA20 series



### GENERAL INFORMATION

- Product series especially designed & optimized for CXA20 series of LEDs.
- Special care taken to make light distribution as uniform as possible.
- Lens material optical grade PC with high UV and temperature resistance (120 degrees of Celcius / 248 degrees of Fahrenheit). Allows use of high current and temperature conditions.

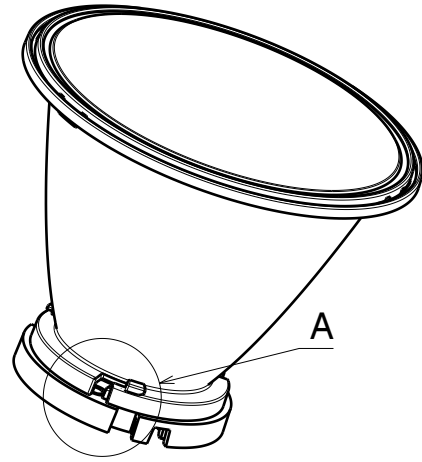
Please find more information about used materials from below:

[http://ledil.fi/sites/default/files/Documents/Technical/Material/PC%20Makrolon%202400\\_2407\\_2456\\_2458-UL.pdf](http://ledil.fi/sites/default/files/Documents/Technical/Material/PC%20Makrolon%202400_2407_2456_2458-UL.pdf)

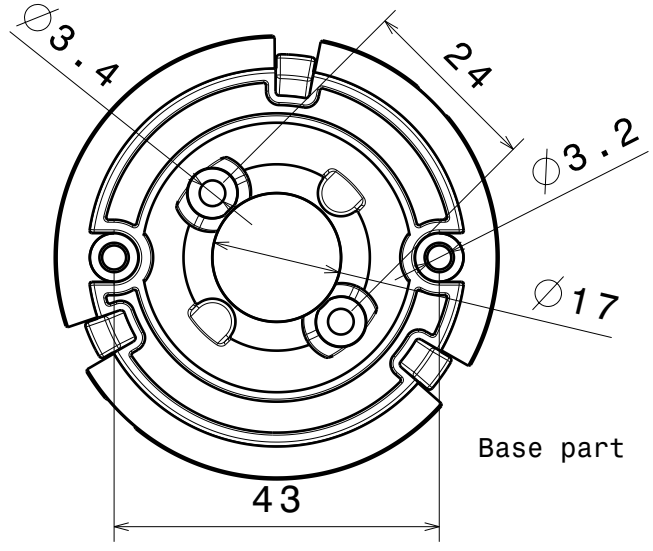
- Reflector is made of aluminium coated PC (120 degrees of Celcius / 248 degrees of Fahrenheit) with protective lacquer (110 degrees of Celcius / 230 degrees of Fahrenheit).
- Optic holder molded by high quality PC material (120 dergees of Celcius / 248 degrees of Fahrenheit).

D C B A

4

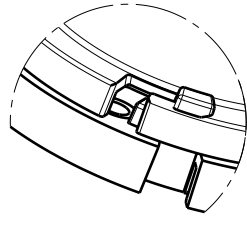


Isometric view



Base part

3

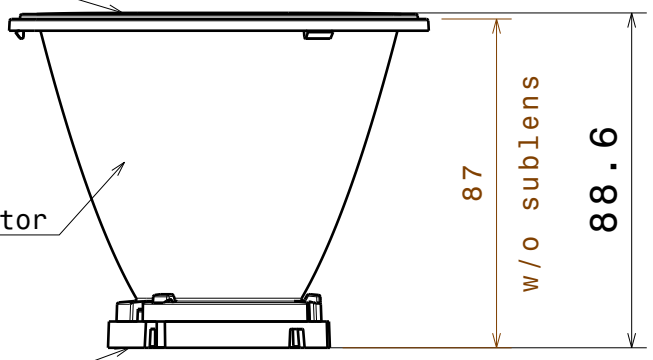


Detail A  
Scale: 1:1

Lena sublens

Lena\_reflector

Lena-STD-base CXA20



w/o sublens

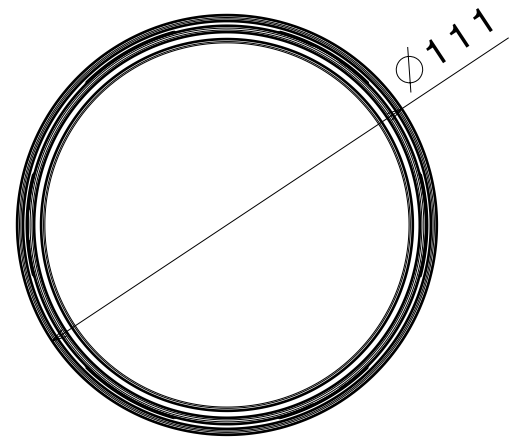
2

Material:

subLens  
- PMMA

Reflector  
- PC  
- Metal coating and clear lacquer

Holder base  
- PC  
- Color white



4

3

2

This drawing is our property. It can't be reproduced or communicated without our written agreement.



L T F F e i n e i n

DRAWING TITLE

Datasheet Lena-CXA20 series Assy

DRAWN BY  
p

DATE  
26.05.2011

CHECKED BY  
p

DATE  
26.05.2011

SIZE  
A4

DRAWING NUMBER

REV  
1

DESIGNED BY  
pl

DATE  
11.02.2011

SCALE 1:2

WEIGHT (g)

SHEET 1/1

1

1

D A

## X-ON Electronics

Largest Supplier of Electrical and Electronic Components

*Click to view similar products for [LED Displays & Accessories](#) category:*

*Click to view products by [Ledil](#) manufacturer:*

Other Similar products are found below :

[LTC-2721WC](#) [LTC-4624JD](#) [LTC-4627G](#) [LTC-4627WC](#) [LTD-5021AWC](#) [LTM-8522G](#) [LTP-4323P](#) [LTP-747G](#) [LTS-3361JG-06](#)  
[F416SYGWA/S530-E3](#) [EADST040RA2](#) [1668](#) [HT-F196NB-5323](#) [IPD2131-27](#) [SA03-12EWA](#) [LDD-E2802RD](#) [LDD-E306MI](#) [LDQ-N514RI](#)  
[LDS-A3506RD](#) [LDS-A3926RI](#) [LDT-M516RI](#) [SC03-12HDB](#) [SI-B9T151550WW](#) [SI-B9V171550WW](#) [SLC-3PF-WL](#) [1624](#) [LTC-2621JD](#)  
[LTC-2623WC](#) [LTC-4624P](#) [LTC-4627JD](#) [LTD-2601E](#) [LTD-322G](#) [LTD-482PC](#) [LTP-1457AKR](#) [LTP-3784G-01](#) [LTS-313AP](#) [LTS-4812SKR-](#)  
[P](#) [LTS-547AE](#) [LTS-6780P](#) [446010401-3](#) [HV-7W30-6829](#) [CA12240\\_MINNIE-WWW-MTG-ASSY](#) [DA43-11GWA](#) [LDD-A516RI-17](#) [LDD-](#)  
[E305RI](#) [LDQ-M513RI](#) [LDQ-M5204RI-SI](#) [LDQ-N3402RI](#) [LDQ-N3606RI](#) [LDT-M2804RI](#)