

**Product number C13085\_MIRELLA-50-S-PF**

Family	Mirella	FWHM	22 degrees
Type	Reflector	Efficiency	80 %
LED	XM-L RGB	cd/lm	3.060
Color	Metal	Gerber File	Available
Diameter	49.9 mm		
Height	24 mm		
Style	Round		
Optic Material	PC		
Holder Material	-		
Fastening	["socket"]		
Status	Production ready		

**Product number C13086\_MIRELLA-50-M-PF**

Family	Mirella	FWHM	31 degrees
Type	Reflector	Efficiency	79 %
LED	XM-L RGB	cd/lm	1.800
Color	Metal	Gerber File	Available
Diameter	49.9 mm		
Height	24 mm		
Style	Round		
Optic Material	PC		
Holder Material	-		
Fastening	["socket"]		
Status	Production ready		

**Product number CN13906\_MIRELLA-50-M-PF-RZL**

Family	Mirella	FWHM	31 degrees
Type	RefPack	Efficiency	79 %
LED	XM-L RGB	cd/lm	1.800
Color	Metal	Gerber File	Available
Diameter	49.9 mm		
Height	25.6 mm		
Style	Round		
Optic Material	PC		
Holder Material	-		
Fastening	["screw", "socket"]		
Status	Production ready		

**Product number C13087\_MIRELLA-50-W-PF**

Family	Mirella	FWHM	41 degrees
Type	Reflector	Efficiency	80 %
LED	XM-L RGB	cd/lm	1.300
Color	Metal	Gerber File	Available
Diameter	49.9 mm		
Height	24 mm		
Style	Round		
Optic Material	PC		
Holder Material	-		
Fastening	["socket"]		
Status	Production ready		



## PRODUCT DATASHEET

### Mirella series

last update 10/2/2016

**NOTE: The typical divergence will be changed by different color, chip size and chip position tolerance. The typical total divergence is the full angle measured where the luminous intensity is half of the peak value.**



## PRODUCT DATASHEET

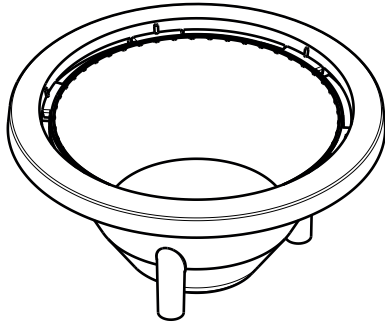
### Mirella series

last update 10/2/2016

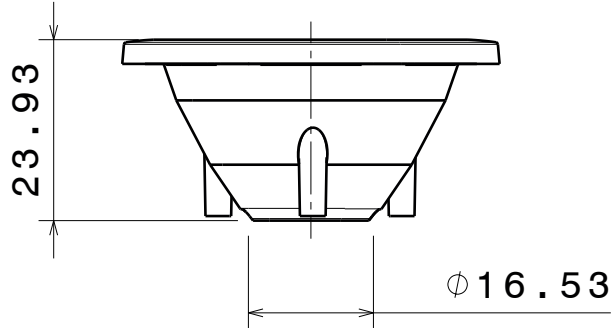
#### GENERAL INFORMATION

- Product series especially designed & optimized for XM-L RGB series of LEDs.
- Special care taken to make light distribution as uniform as possible.
- Reflector is made of aluminium coated PC (120 degrees of Celcius / 248 degrees of Fahrenheit) with protective lacquer (short term 100 degrees of Celcius / 212 degrees of Fahrenheit).

NOTE: It is recommended to use glue like DELO-PUR 9895 for pin fastening.  
[http://www.delo.de/fileadmin/datasheet/DELO-PUR\\_9895\\_\(TIDB-GB\).pdf](http://www.delo.de/fileadmin/datasheet/DELO-PUR_9895_(TIDB-GB).pdf)

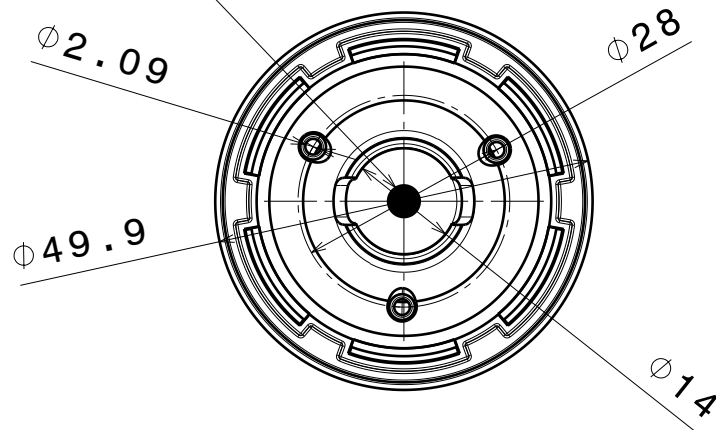


Isometric view



Front view

LED position



Bottom view

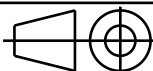
INDEX	PART NO	DESCRIPTION	MATERIAL	COLOUR
1	C13085	MIRELLA-50-S-PF	PC	metal

Tolerances if not otherwise shown  
 According to DIN ISO 2768-1  
 Linear measures:  
 Up to 30mm class M, otherwise class C.  
 According to DIN ISO 2768-2  
 Form and position: class L



Ledil Oy  
 Salorankatu 10  
 FIN 24240 SALO  
 Finland

THIRD ANGLE PROJECTION:



DRAWING TITLE

C13085\_MIRELLA-50-S-PF

This drawing is the property  
 of LEDiL Oy. It may not be  
 reproduced, copied or  
 communicated without a written  
 agreement with LEDiL Oy.

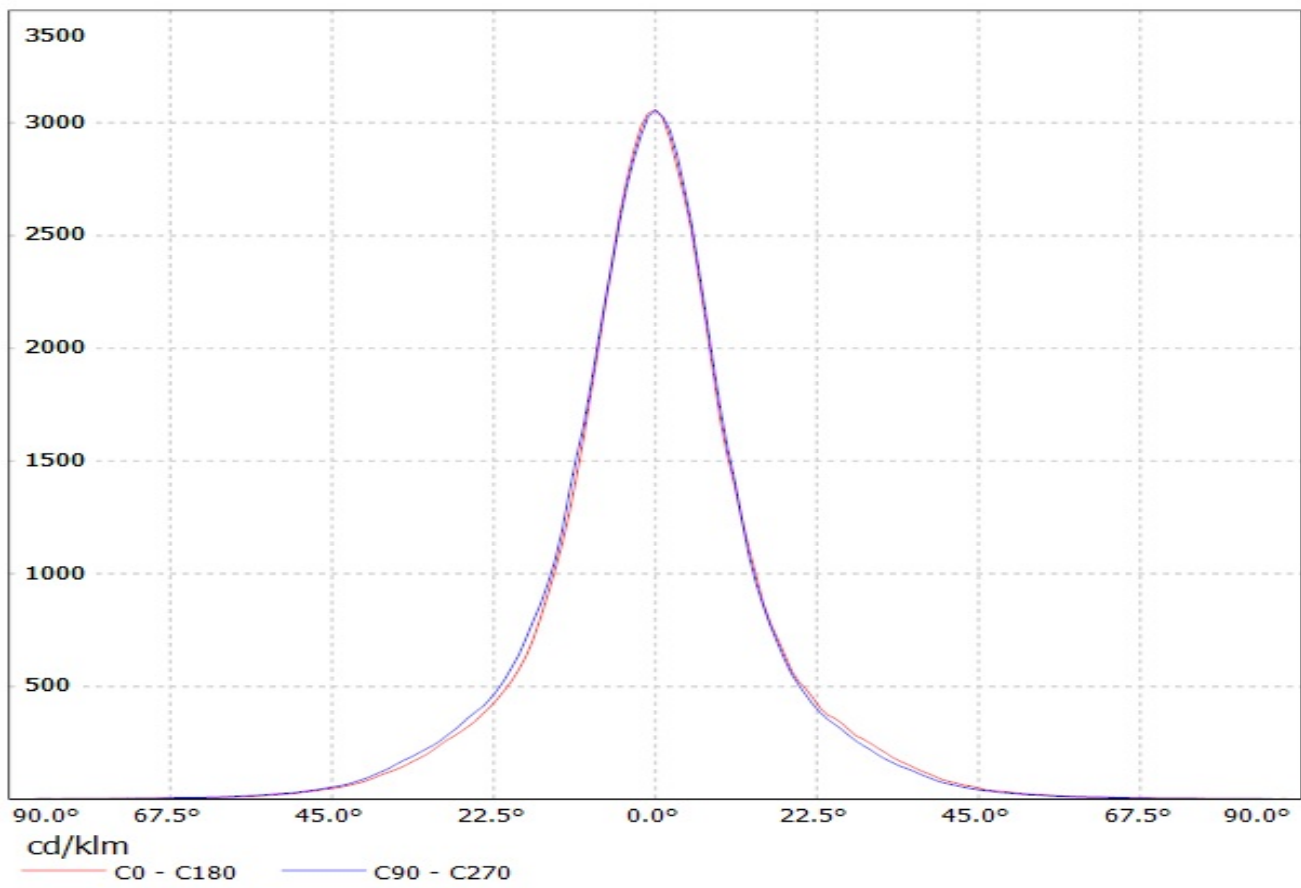
SIZE PART NUMBER

A4

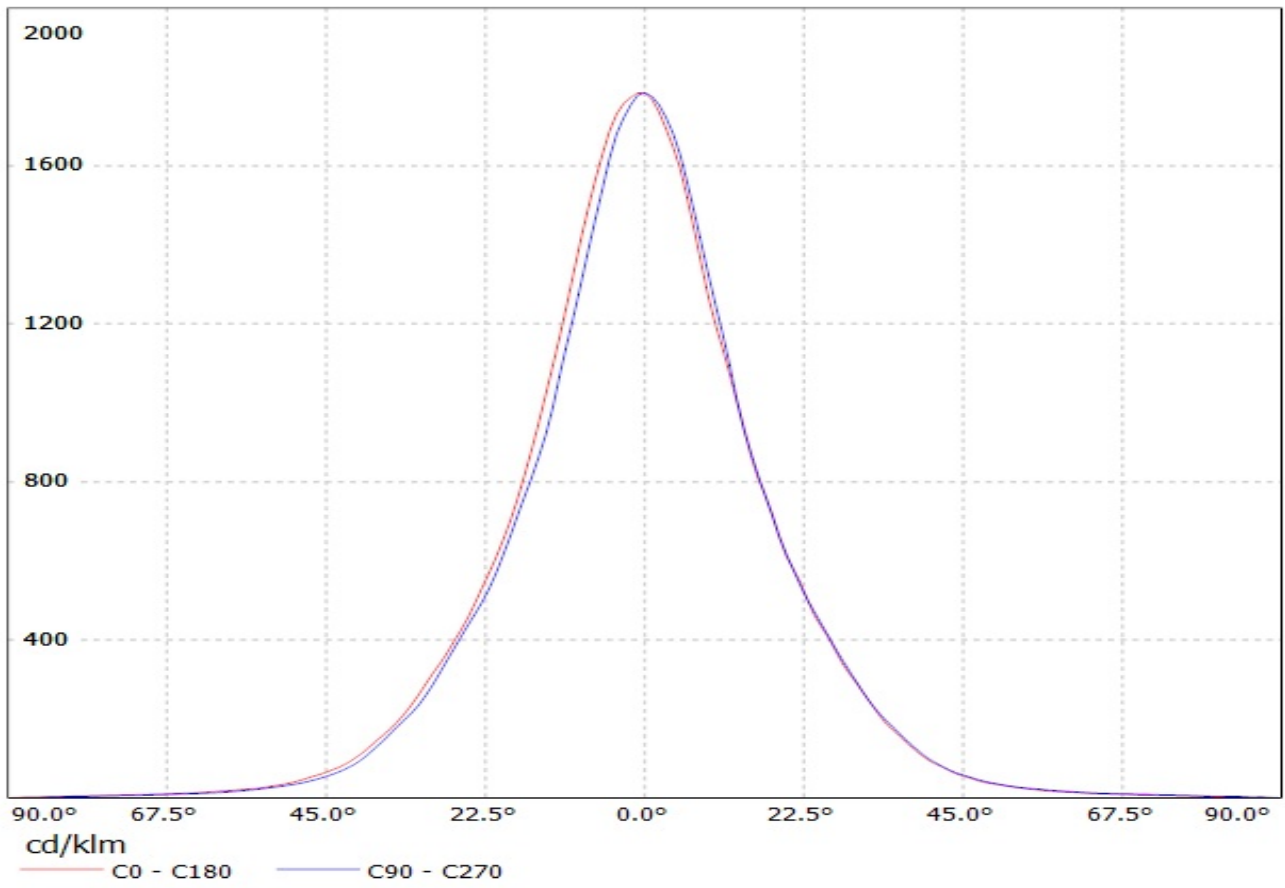
C13085

SCALE 1:1 WEIGHT 4,70 g SHEET 1/1

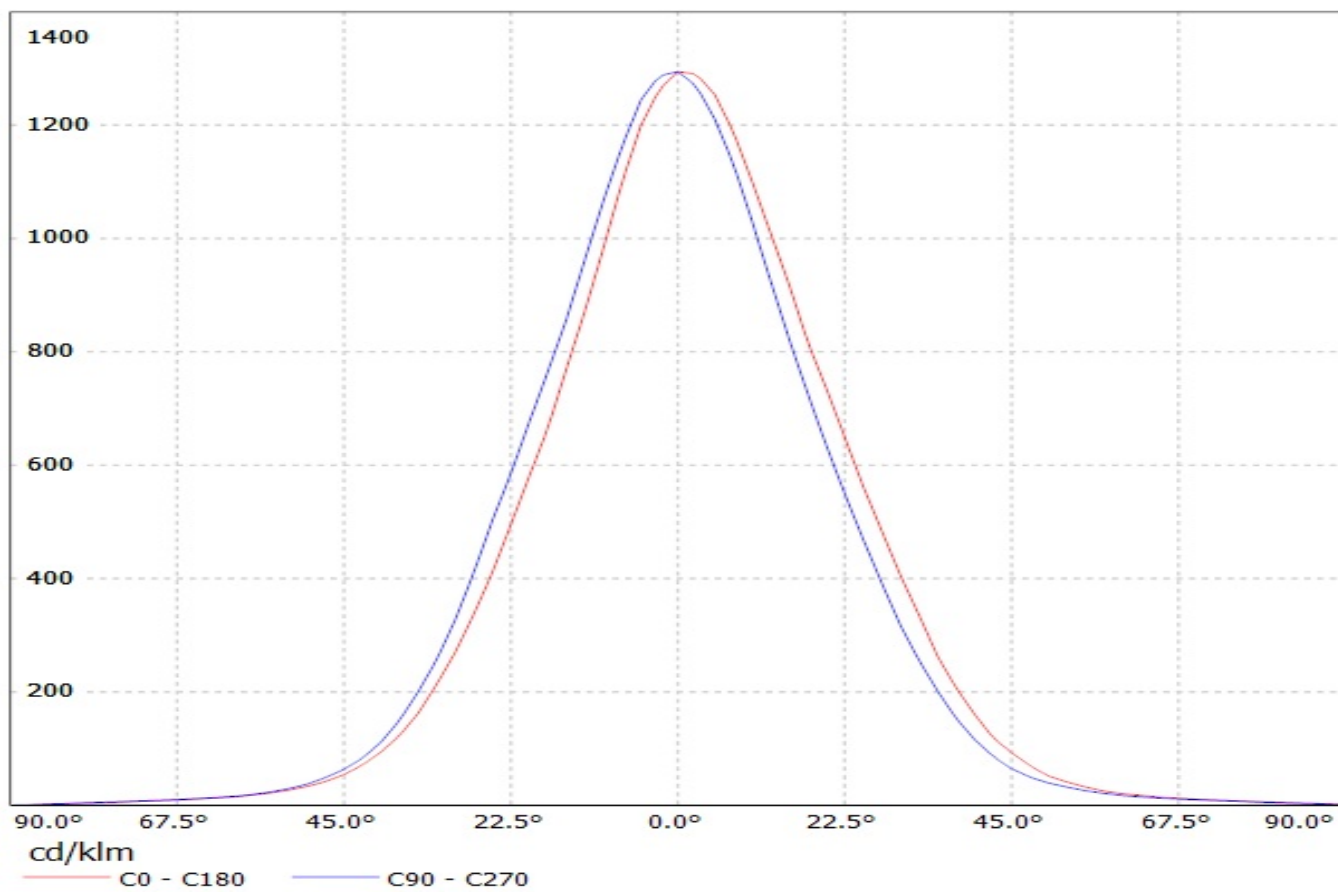
Luminaire: Ledil Oy CN13905\_MIRELLA-50-S-PF-RZL\_(XM-L\_RGB) Efficiency=80%  
Lamps: 1 x Cree XM-L RGB (206lm @ 250mA) CCT= P=2.8W I=250mA



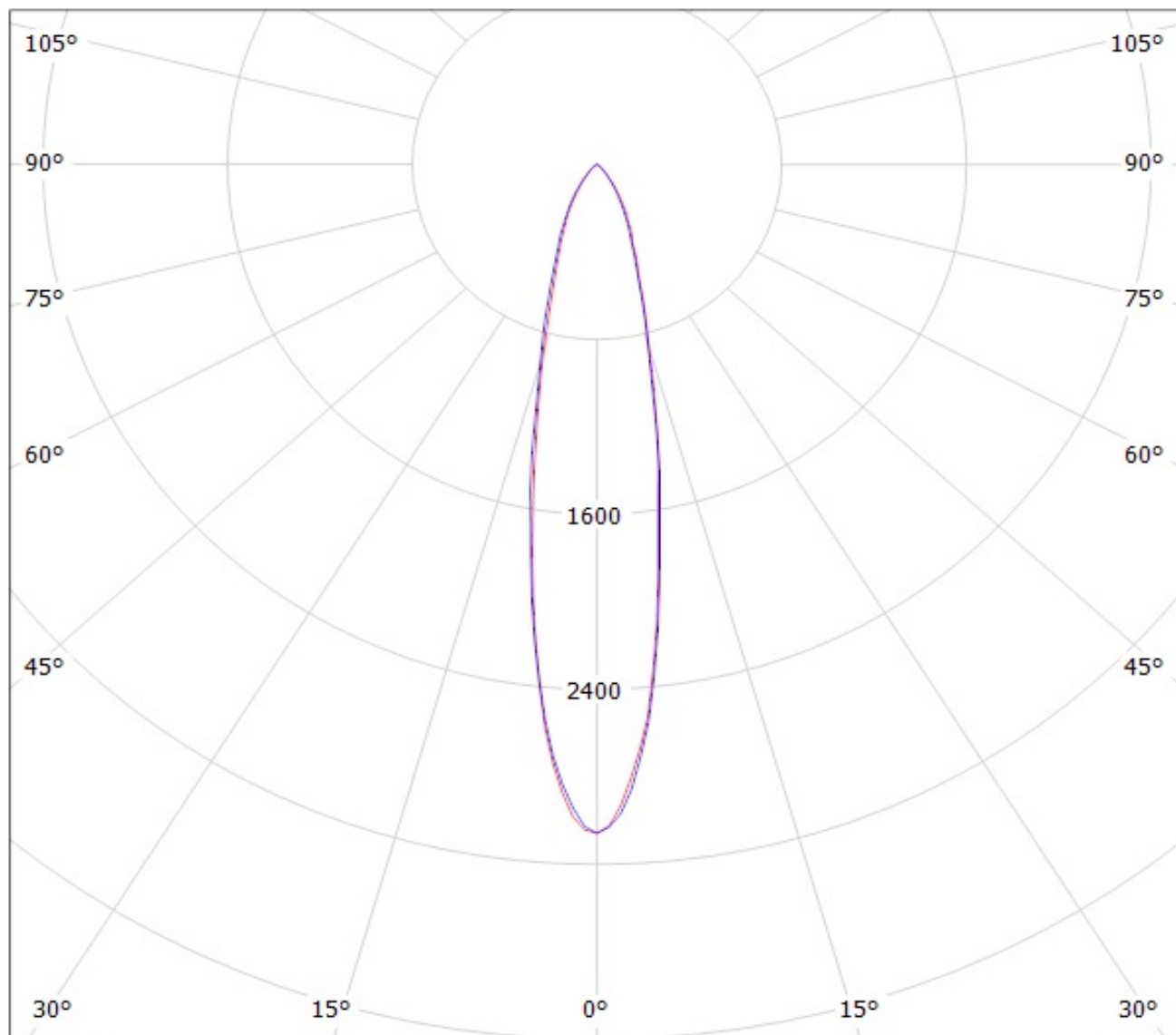
Luminaire: Ledil Oy CN13906\_MIRELLA-50-M-PF-RZL (XM-L\_RGB) Efficiency=79%  
Lamps: 1 x Cree XM-L RGB (206lm @ 250mA) CCT= P=2.8W I=250mA



Luminaire: Ledil Oy CN13907\_MIRELLA-50-W-PF-RZL\_(XM-L\_RGB) Efficiency=80%  
Lamps: 1 x Cree XM-L RGB (206lm @ 250mA) CCT= P=2.8W I=250mA



Luminaire: Ledil Oy CN13905\_MIRELLA-50-S-PF-RZL\_(XM-L\_RGB) Efficiency=80%  
Lamps: 1 x Cree XM-L RGB (206lm @ 250mA) CCT= P=2.8W I=250mA

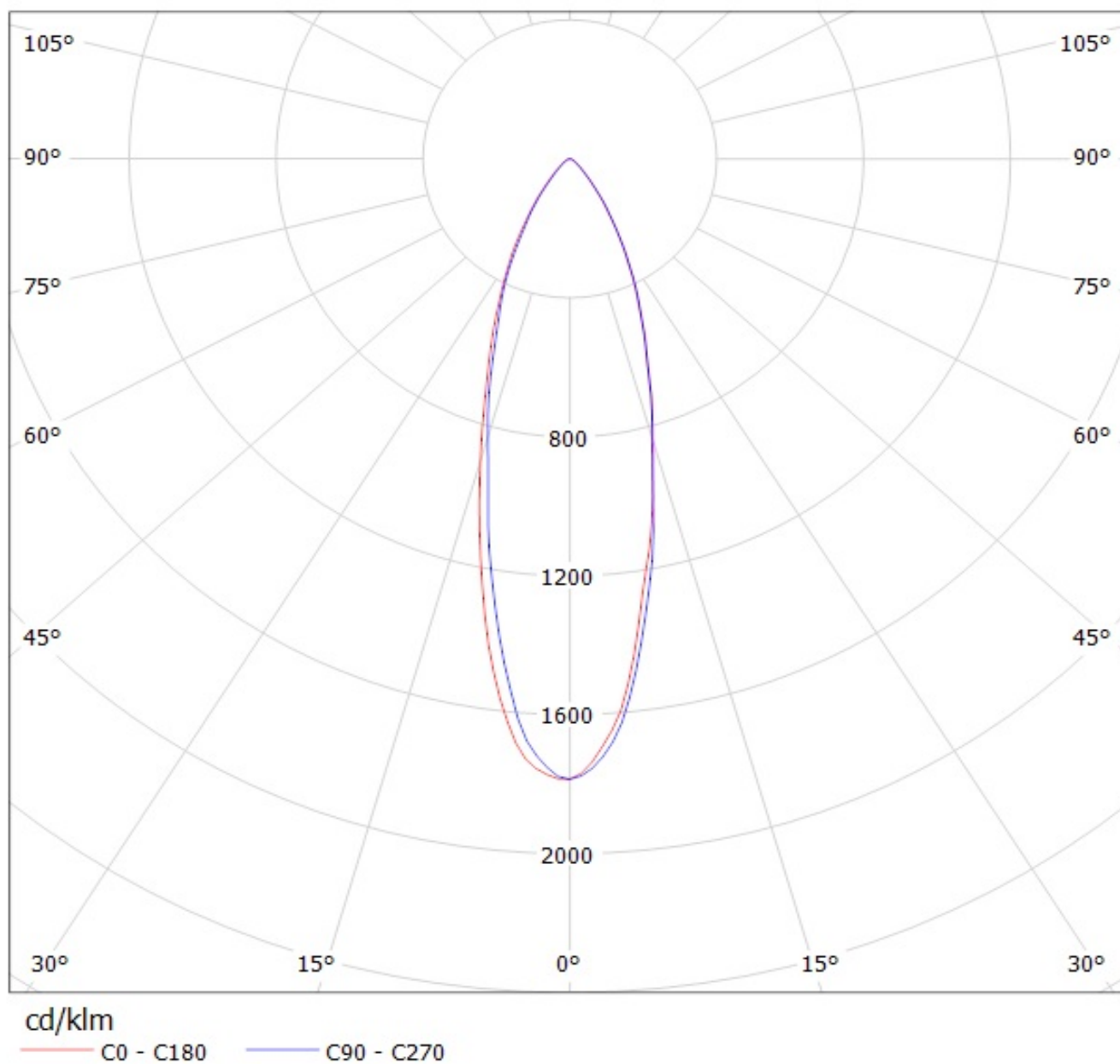


cd/klm

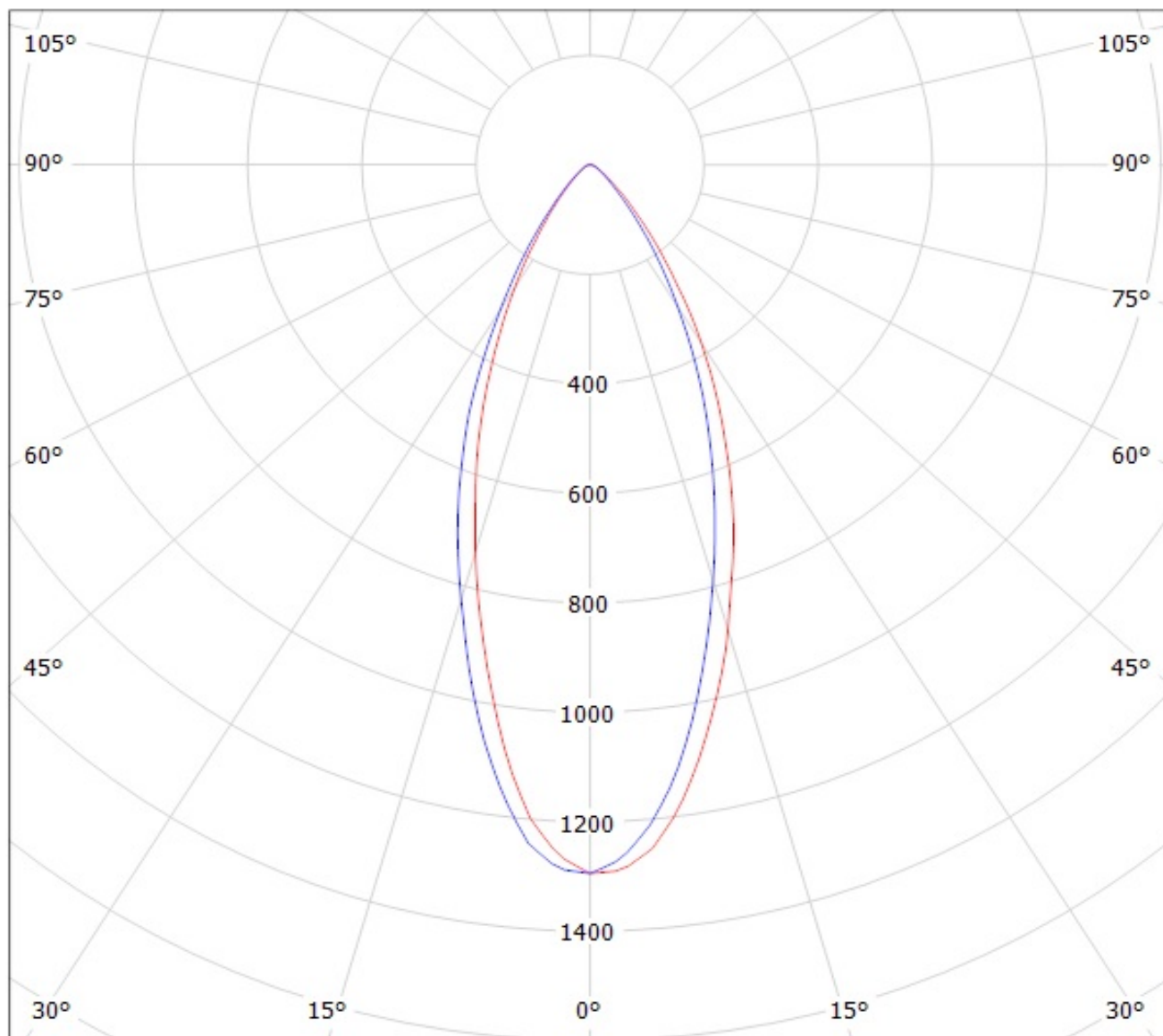
— C0 - C180 — C90 - C270



Luminaire: Ledil Oy CN13906\_MIRELLA-50-M-PF-RZL\_(XM-L\_RGB) Efficiency=79%  
Lamps: 1 x Cree XM-L RGB (206lm @ 250mA) CCT= P=2.8W I=250mA



Luminaire: Ledil Oy CN13907\_MIRELLA-50-W-PF-RZL\_(XM-L\_RGB) Efficiency=80%  
Lamps: 1 x Cree XM-L RGB (206lm @ 250mA) CCT= P=2.8W I=250mA



cd/klm

— C0 - C180

— C90 - C270

## X-ON Electronics

Largest Supplier of Electrical and Electronic Components

*Click to view similar products for [LED Lighting Lenses](#) category:*

*Click to view products by [Ledil](#) manufacturer:*

Other Similar products are found below :

[LL01ED-AK40L06](#) [LL01ZZ-EX25L06-M2](#) [180182-0000](#) [FNP-N2-N083-0R NRW](#) [LL01ED-ALI55R49](#) [0190535300](#) [0410111300](#)  
[0510113303](#) [0530997](#) [2710121](#) [C11004\\_TINA2-RS](#) [C12231\\_LENA-FRESNEL-LENS](#) [LL01ED-AKY24R49](#) [LL01CR-AYG15R49](#)  
[LL01CR-OT32L06-M2](#) [LL01ZZ-AAA24L49](#) [LL01CR-CEN38L02](#) [LL01ZZ-AAA55L49](#) [LL01CR-AYG24R49](#) [LL01A00CZMB2-M2](#)  
[LL01ED-AKY38R49](#) [LL01CR-CNE2545L06-M2](#) [LL01ZZ-AAA38L49](#) [LL01ED-AKV36R49](#) [LL01ED-ALI24R49](#) [LL01CR-AYG38R49](#)  
[FN15973\\_RONDA-REC-60-C](#) [FP-MS-11.5](#) [F16859\\_LINDA-ZT25](#) [C14169\\_LENA-CLEAR-LENS](#) [C16125\\_OLGA-W](#) [C17410\\_SPORT-](#)  
[2X2-FT6](#) [C17414\\_SPORT-2X2-S6](#) [C17409\\_SPORT-2X2-FT6W](#) [C17360\\_SPORT-2X2-FT60](#) [C17434\\_ILONA-WW](#) [F16636\\_LINDA-W60](#)  
[10003](#) [10003/15](#) [10048](#) [10049](#) [10108](#) [CP10960\\_RGBX-SS](#) [CP12395\\_LXP3-W](#) [10415](#) [10510](#) [1-1000288-0](#) [F14487\\_FLORENCE-1R-](#)  
[MAXI-WG](#) [12667](#) [C14165\\_STRADA-2X2-ME-WIDE2](#)