

## Leila LOST series



**Ordering number** FA11110  
**Description** FA11110\_LOST-D

Family	Leila	FWHM	25 degrees
Type	Assembly	Efficiency	89
LED	Ostar Lighting+	cd/lm	-
Color	Black	Gerber File	Available
Diameter	21.6 mm		
Height	13.2 mm		
Style	Round		
Optic Material	PMMA		
Holder Material	PC		
Fastening	Tape		
Status	Ready		



**Ordering number** FA11112  
**Description** FA11112\_LOST-M

Family	Leila	FWHM	30 degrees
Type	Assembly	Efficiency	88
LED	Ostar Lighting+	cd/lm	-
Color	Black	Gerber File	Available
Diameter	21.6 mm		
Height	13.2 mm		
Style	Round		
Optic Material	PMMA		
Holder Material	PC		
Fastening	Tape		
Status	Ready		



**Ordering number** FA11113  
**Description** FA11113\_LOST-W

Family	Leila	FWHM	degrees
Type	Assembly	Efficiency	-
LED	Ostar Lighting+	cd/lm	-
Color	Black	Gerber File	Available
Diameter	21.6 mm		
Height	13.2 mm		
Style	Round		
Optic Material	PMMA		
Holder Material	PC		
Fastening	Tape		
Status	Ready		



**Ordering number** FA11114  
**Description** FA11114\_LOST-O-90

Family	Leila	FWHM	36+24 degrees
Type	Assembly	Efficiency	85
LED	Ostar Lighting+	cd/lm	-
Color	Black	Gerber File	Available
Diameter	21.6 mm		
Height	13.2 mm		
Style	Round		
Optic Material	PMMA		
Holder Material	PC		
Fastening	Tape		
Status	Ready		

## Leila LOST series



**Ordering number** FA11115  
**Description** FA11115\_ LOST-REC

Family	Leila	FWHM	36+29 degrees
Type	Assembly	Efficiency	81
LED	Ostar Lighting+	cd/lm	-
Color	Black	Gerber File	Available
Diameter	21.6 mm		
Height	13.2 mm		
Style	Round		
Optic Material	PMMA		
Holder Material	PC		
Fastening	Tape		
Status	Ready		



**Ordering number** FA11463  
**Description** FA11463\_ LOST-M2

Family	Leila	FWHM	degrees
Type	Assembly	Efficiency	-
LED	Ostar Lighting+	cd/lm	-
Color	Black	Gerber File	Available
Diameter	21.6 mm		
Height	13.2 mm		
Style	Round		
Optic Material	PMMA		
Holder Material	PC		
Fastening	Tape		
Status	Ready		



## Leila LOST series

Specially designed for Ostar Lighting+ series of LEDs.

Fastening to heat sink with a PU foam adhesive tape of automotive grade.

Please find fastening details by clicking link below:

[http://ledil.fi/sites/default/files/Documents/Technical/Installation/20110406\\_DataSheet\\_TAPE.pdf](http://ledil.fi/sites/default/files/Documents/Technical/Installation/20110406_DataSheet_TAPE.pdf)

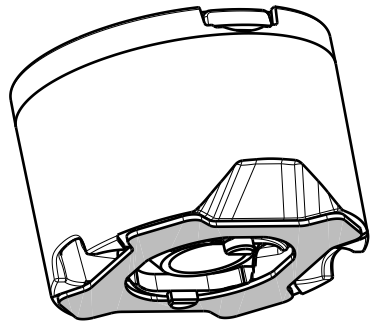
We advise customer to ensure the suitability and sufficiency of the bond in the end product. For example, mechanical stress, vibration and holes on the surface of the circuit board weaken the strength of the tape.

D

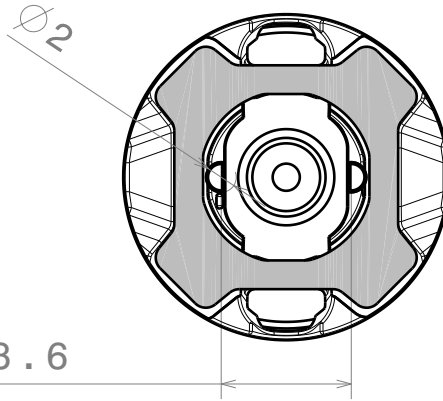
C

B

A



Isometric view

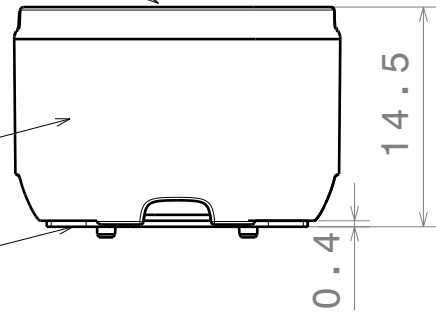


8.6  
c / c

Lens

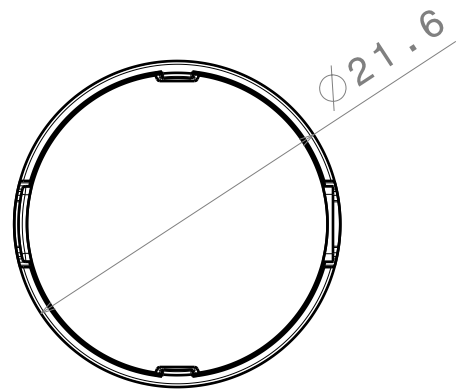
Holder

tape



14.5

0.4



Top view

Materials:  
 Lens: PMMA  
 Holder: PC white  
 Tape: PU FOAM

This drawing is our property.  
 It can't be reproduced  
 or communicated without  
 our written agreement.



L  
T  
F  
F

e  
e  
i  
i  
N  
n

d  
h

DRAWING TITLE

Datasheet LR2-ES series assy

DRAWN BY

DATE

m

28.12.2010

CHECKED BY

DATE

h

h

28.12.2010

SIZE

A4

DRAWING NUMBER

-

REV

1

DESIGNED BY

DATE

pl

27.08.2010

SCALE

1:1

WEIGHT (g)

SHEET

1/1

D

A

4

4

3

3

2

2

1

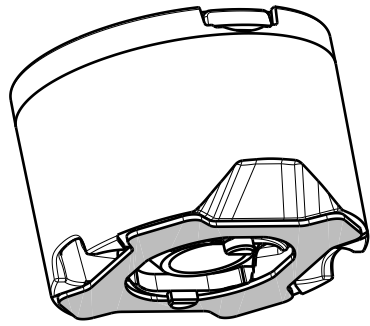
1

D

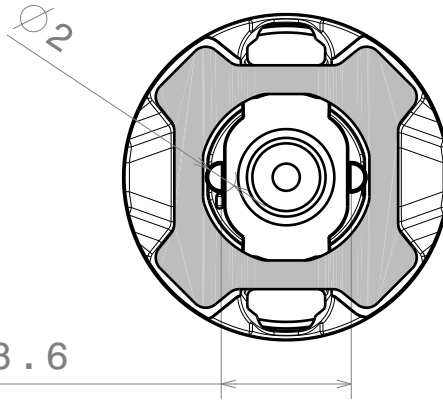
C

B

A



Isometric view

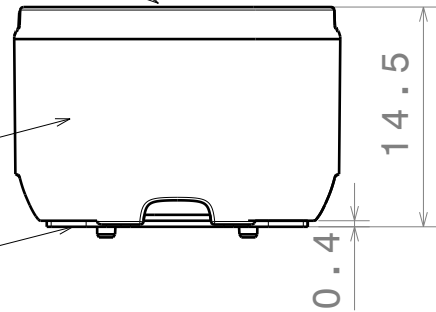


8.6  
c / c

Lens

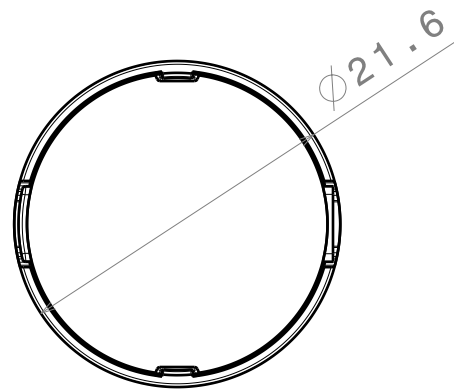
Holder

tape



14.5

0.4



Top view

Materials:  
 Lens: PMMA  
 Holder: PC white  
 Tape: PU FOAM

This drawing is our property.  
 It can't be reproduced  
 or communicated without  
 our written agreement.



L  
T  
F  
F

e  
e  
i  
i  
N  
n

d  
h

DRAWING TITLE

Datasheet LR2-ES series assy

DRAWN BY

DATE

m

28.12.2010

CHECKED BY

DATE

h

h

28.12.2010

SIZE

A4

DRAWING NUMBER

-

REV

1

DESIGNED BY

DATE

pl

27.08.2010

SCALE

1:1

WEIGHT (g)

SHEET

1/1

D

A

4

4

3

3

2

2

1

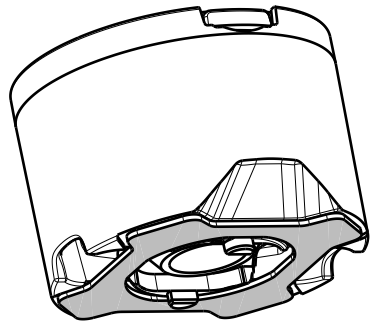
1

D

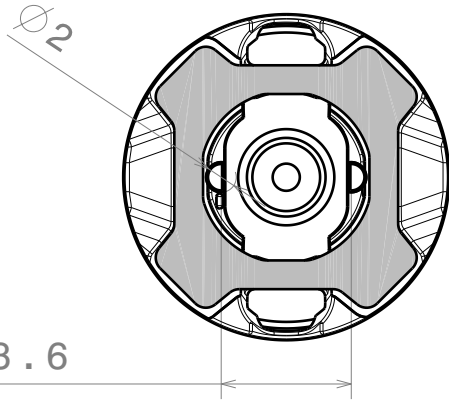
C

B

A



Isometric view

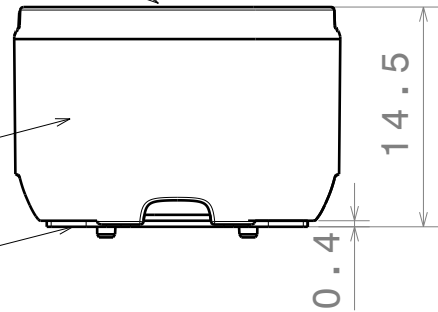


8.6  
c / c

Lens

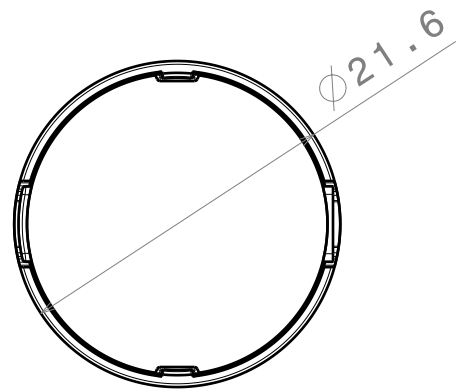
Holder

tape



14.5

0.4



Top view

Materials:  
 Lens: PMMA  
 Holder: PC white  
 Tape: PU FOAM

This drawing is our property.  
 It can't be reproduced  
 or communicated without  
 our written agreement.



L  
T  
F  
F

e  
e  
i  
i  
N  
n

d

DRAWING TITLE

Datasheet LR2-ES series assy

DRAWN BY

DATE

m

28.12.2010

CHECKED BY

DATE

h

h

28.12.2010

SIZE

A4

DRAWING NUMBER

-

REV

1

DESIGNED BY

DATE

pl

27.08.2010

SCALE

1:1

WEIGHT (g)

SHEET

1/1

D

A

4

4

3

3

2

2

1

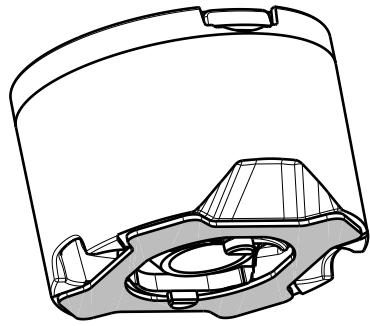
1

D

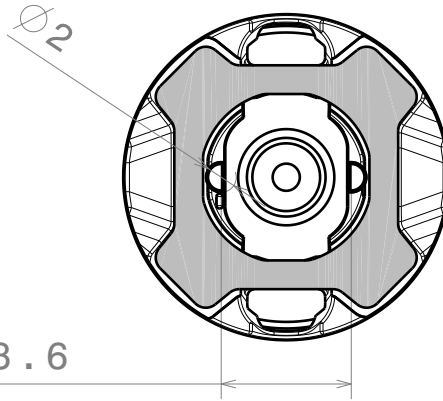
C

B

A



Isometric view

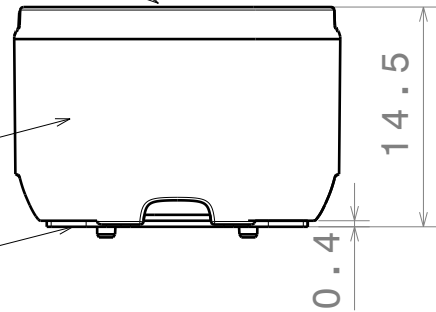


8.6  
c / c

Lens

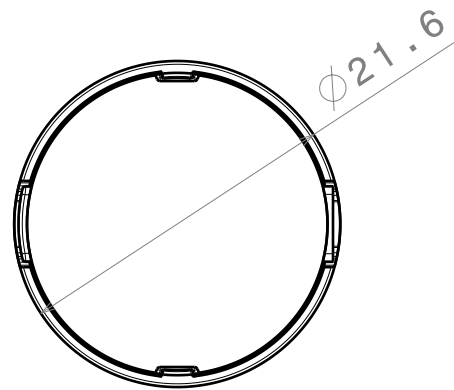
Holder

tape



14.5

0.4



Top view

Materials:  
 Lens: PMMA  
 Holder: PC white  
 Tape: PU FOAM

This drawing is our property.  
 It can't be reproduced  
 or communicated without  
 our written agreement.



L  
T  
F  
F

e  
e  
i  
i  
N  
n

d  
h

DRAWING TITLE

Datasheet LR2-ES series assy

DRAWN BY

DATE

m

28.12.2010

CHECKED BY

DATE

h

h

28.12.2010

DESIGNED BY

DATE

pl

27.08.2010

SIZE

A4

DRAWING NUMBER

-

REV

1

SCALE

1:1

WEIGHT (g)

SHEET

1/1

D

A

4

4

3

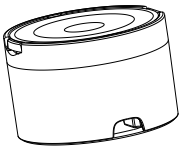
3

2

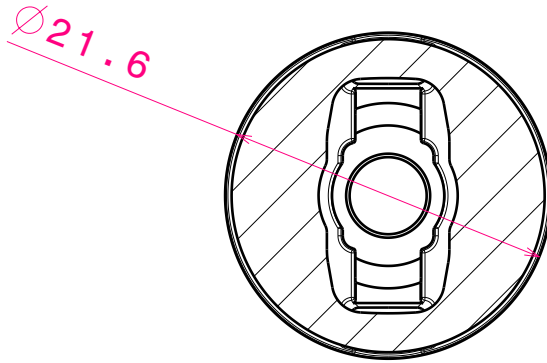
2

1

1



Isometric view  
Scale: 1:1



Bottom view



Front view

Holder: L03-LH1-tape

Tape 0.2mm

Materials;  
Lens: PMMA  
Holder: PC  
Tape: PU Foam

This drawing is our property.  
It can't be reproduced  
or communicated without  
our written agreement.



L  
T  
F  
F

e  
e  
i  
i  
N  
n

d

DRAWING TITLE

Datasheet L02-W tape assy

DRAWN BY p		DATE 12.01.2010		DRAWING TITLE Datasheet L02-W tape assy		
CHECKED BY t k		DATE 19.12.2009		SIZE A4	DRAWING NUMBER -	REV 1
DESIGNED BY pv		DATE 06.12.2009		SCALE 2:1	WEIGHT (g)	SHEET 1/1

D

A

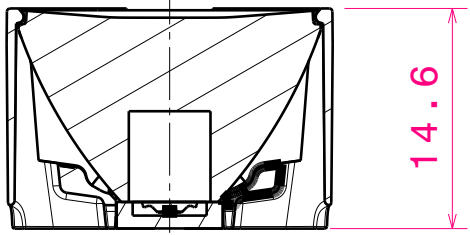


D

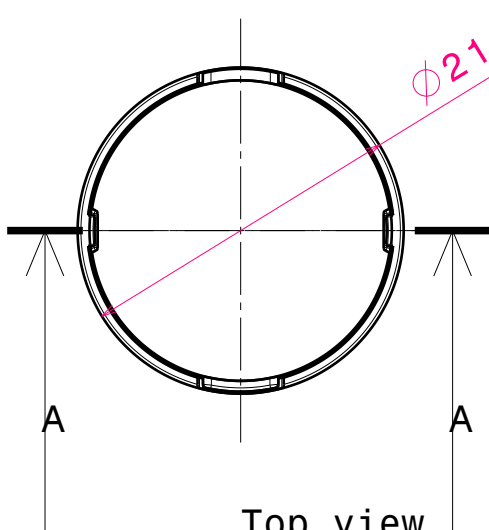
C

B

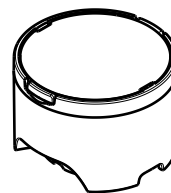
A



Section view A-A  
Scale: 2:1



Top view  
Scale: 2:1



Isometric view  
Scale: 1:1

Materials:  
lens PMMA  
holder PC

This drawing is our property.  
It can't be reproduced  
or communicated without  
our written agreement.



L  
T  
F  
F

e  
e  
i  
i  
N  
n

d  
h

DRAWING TITLE

DATASHEET L02 Series

DRAWN BY P	DATE 19.05.2008
---------------	--------------------

CHECKED BY T K	DATE 19.05.2008
-------------------	--------------------

DESIGNED BY HH	DATE 30.04.2008
-------------------	--------------------

SIZE A4	DRAWING NUMBER	REV 0.1
SCALE 2:1	WEIGHT (g)	SHEET 1/1

D

A

4

4

3

3

2

2

1

1

D C B A

4

3

2

1

Lens

Holder

Tape 0,2mm

16.5

Side view

Top view

Ø21.6

MATERIALS  
 Lens: PMMA  
 Holder: PC  
 Tape: PU Foam

Part no.s:  
 FA10652\_LC1-M  
 FA10653\_LC1-RS  
 FA10654\_LC1-REC  
 FA10655\_LC1-D  
 FA11045\_LC1-W-Tape  
 FA11105\_LC1-O-90  
 FA11373\_LC1-MD-Tape  
 FA11449\_LC1-M2

This drawing is our property.  
 It can't be reproduced  
 or communicated without  
 our written agreement.



L T F F e i n e i n

DRAWING TITLE  
**Datasheet Assembly LC1-series**

DRAWN BY  
 p

DATE  
 17.01.2011

CHECKED BY  
 t k

DATE  
 25.09.2008

DESIGNED BY  
**HH**

DATE  
 24.07.2008

SIZE **A4** DRAWING NUMBER - REV **1**

SCALE **2:1** WEIGHT (g) - SHEET **1/1**

D A

D C B A

4

3

2

1

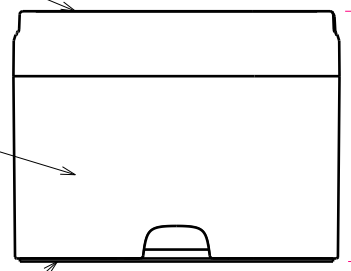
Lens

Holder

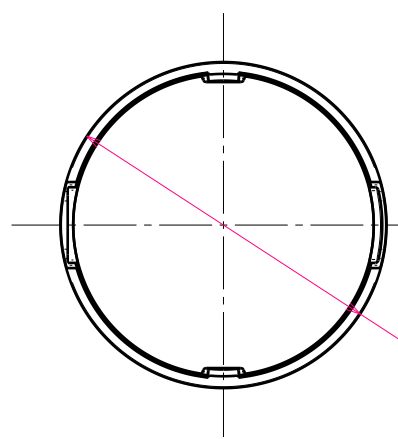
Tape 0,2mm

16.5

Side view



Top view



Ø21.6

MATERIALS  
 Lens: PMMA  
 Holder: PC  
 Tape: PU Foam

Part no.s:  
 FA10652\_LC1-M  
 FA10653\_LC1-RS  
 FA10654\_LC1-REC  
 FA10655\_LC1-D  
 FA11045\_LC1-W-Tape  
 FA11105\_LC1-O-90  
 FA11373\_LC1-MD-Tape  
 FA11449\_LC1-M2

This drawing is our property.  
 It can't be reproduced  
 or communicated without  
 our written agreement.



L T F F e i n e i n

DRAWING TITLE  
**Datasheet Assembly LC1-series**

DRAWN BY  
 p DATE  
 17.01.2011

CHECKED BY  
 t k DATE  
 25.09.2008

DESIGNED BY  
**HH** DATE  
 24.07.2008

SIZE A4 DRAWING NUMBER - REV 1

SCALE 2:1 WEIGHT (g) - SHEET 1/1

D A

D C B A

4

3

2

1

Lens

Holder

Tape 0,2mm

16.5

Side view

Top view

Ø21.6

MATERIALS  
 Lens: PMMA  
 Holder: PC  
 Tape: PU Foam

Part no.s:  
 FA10652\_LC1-M  
 FA10653\_LC1-RS  
 FA10654\_LC1-REC  
 FA10655\_LC1-D  
 FA11045\_LC1-W-Tape  
 FA11105\_LC1-O-90  
 FA11373\_LC1-MD-Tape  
 FA11449\_LC1-M2

This drawing is our property.  
 It can't be reproduced  
 or communicated without  
 our written agreement.



L T F F e i n e i n

DRAWING TITLE  
**Datasheet Assembly LC1-series**

DRAWN BY  
 p

DATE  
 17.01.2011

CHECKED BY  
 t k

DATE  
 25.09.2008

DESIGNED BY  
**HH**

DATE  
 24.07.2008

SIZE A4 DRAWING NUMBER - REV 1

SCALE 2:1 WEIGHT (g) - SHEET 1/1

D A

D C B A

4

3

2

1

Lens

Holder

Tape 0,2mm

16.5

Side view

Top view

Ø21.6

MATERIALS  
 Lens: PMMA  
 Holder: PC  
 Tape: PU Foam

Part no.s:  
 FA10652\_LC1-M  
 FA10653\_LC1-RS  
 FA10654\_LC1-REC  
 FA10655\_LC1-D  
 FA11045\_LC1-W-Tape  
 FA11105\_LC1-O-90  
 FA11373\_LC1-MD-Tape  
 FA11449\_LC1-M2

This drawing is our property.  
 It can't be reproduced  
 or communicated without  
 our written agreement.



L T F F e i n e i n

DRAWING TITLE  
**Datasheet Assembly LC1-series**

DRAWN BY  
 p DATE  
 17.01.2011

CHECKED BY  
 t k DATE  
 25.09.2008

DESIGNED BY  
**HH** DATE  
 24.07.2008

SIZE A4 DRAWING NUMBER - REV 1

SCALE 2:1 WEIGHT (g) - SHEET 1/1

D A

D C B A

4

3

2

1

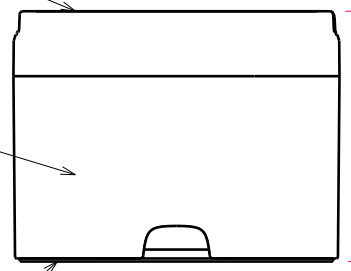
Lens

Holder

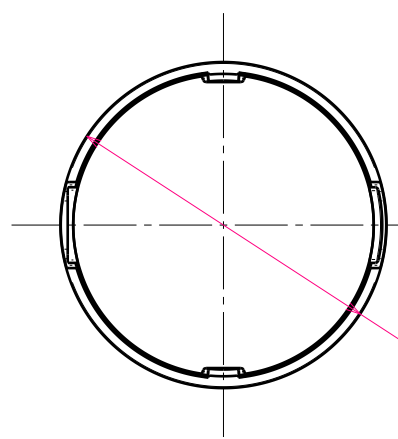
Tape 0,2mm

16.5

Side view



Top view



Ø21.6

MATERIALS  
 Lens: PMMA  
 Holder: PC  
 Tape: PU Foam

Part no.s:  
 FA10652\_LC1-M  
 FA10653\_LC1-RS  
 FA10654\_LC1-REC  
 FA10655\_LC1-D  
 FA11045\_LC1-W-Tape  
 FA11105\_LC1-O-90  
 FA11373\_LC1-MD-Tape  
 FA11449\_LC1-M2

This drawing is our property.  
 It can't be reproduced  
 or communicated without  
 our written agreement.



L T F F e i n e i n

DRAWING TITLE  
**Datasheet Assembly LC1-series**

DRAWN BY  
 p DATE  
 17.01.2011

CHECKED BY  
 t k DATE  
 25.09.2008

DESIGNED BY  
**HH** DATE  
 24.07.2008

SIZE A4 DRAWING NUMBER - REV 1

SCALE 2:1 WEIGHT (g) - SHEET 1/1

D A

D C B A

4

3

2

1

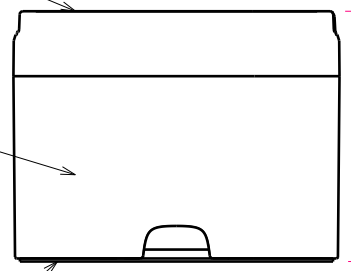
Lens

Holder

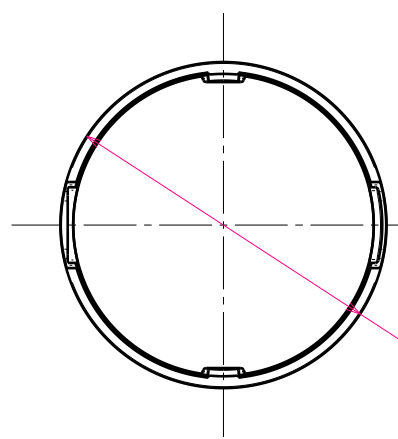
Tape 0,2mm

16.5

Side view



Top view



Ø21.6

MATERIALS  
 Lens: PMMA  
 Holder: PC  
 Tape: PU Foam

Part no.s:  
 FA10652\_LC1-M  
 FA10653\_LC1-RS  
 FA10654\_LC1-REC  
 FA10655\_LC1-D  
 FA11045\_LC1-W-Tape  
 FA11105\_LC1-O-90  
 FA11373\_LC1-MD-Tape  
 FA11449\_LC1-M2

This drawing is our property.  
 It can't be reproduced  
 or communicated without  
 our written agreement.



L T F F e i n e i n

DRAWING TITLE  
**Datasheet Assembly LC1-series**

DRAWN BY  
 p DATE  
 17.01.2011

CHECKED BY  
 t k DATE  
 25.09.2008

DESIGNED BY  
**HH** DATE  
 24.07.2008

SIZE A4 DRAWING NUMBER - REV 1

SCALE 2:1 WEIGHT (g) - SHEET 1/1

D A

D C B A

4

3

2

1

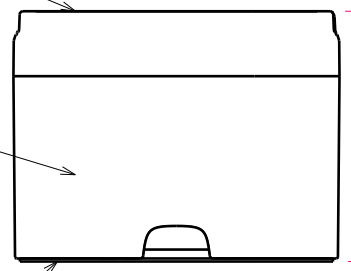
Lens

Holder

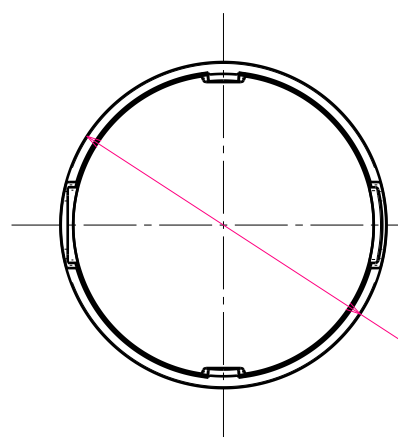
Tape 0,2mm

16.5

Side view



Top view



Ø21.6

MATERIALS  
 Lens: PMMA  
 Holder: PC  
 Tape: PU Foam

Part no.s:  
 FA10652\_LC1-M  
 FA10653\_LC1-RS  
 FA10654\_LC1-REC  
 FA10655\_LC1-D  
 FA11045\_LC1-W-Tape  
 FA11105\_LC1-O-90  
 FA11373\_LC1-MD-Tape  
 FA11449\_LC1-M2

This drawing is our property.  
 It can't be reproduced  
 or communicated without  
 our written agreement.



L T F F e i n e i n

DRAWING TITLE  
**Datasheet Assembly LC1-series**

DRAWN BY  
 p DATE  
 17.01.2011

CHECKED BY  
 t k DATE  
 25.09.2008

DESIGNED BY  
**HH** DATE  
 24.07.2008

SIZE A4 DRAWING NUMBER - REV 1

SCALE 2:1 WEIGHT (g) - SHEET 1/1

D A



D C B A

4

3

2

1

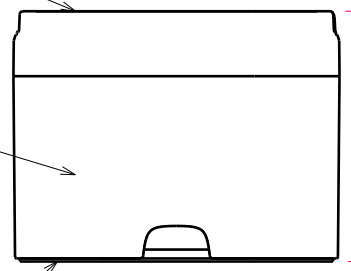
Lens

Holder

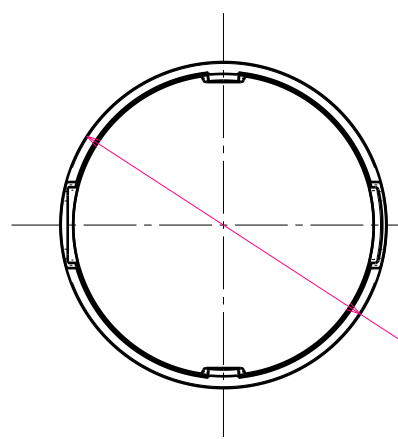
Tape 0,2mm

16.5

Side view



Top view



Ø21.6

MATERIALS  
 Lens: PMMA  
 Holder: PC  
 Tape: PU Foam

Part no.s:  
 FA10652\_LC1-M  
 FA10653\_LC1-RS  
 FA10654\_LC1-REC  
 FA10655\_LC1-D  
 FA11045\_LC1-W-Tape  
 FA11105\_LC1-O-90  
 FA11373\_LC1-MD-Tape  
 FA11449\_LC1-M2

This drawing is our property.  
 It can't be reproduced  
 or communicated without  
 our written agreement.



L T F F e i n e i n

DRAWING TITLE  
**Datasheet Assembly LC1-series**

DRAWN BY  
 p DATE  
 17.01.2011

CHECKED BY  
 t k DATE  
 25.09.2008

DESIGNED BY  
**HH** DATE  
 24.07.2008

SIZE A4 DRAWING NUMBER - REV 1

SCALE 2:1 WEIGHT (g) - SHEET 1/1

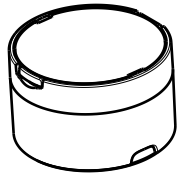
D A

D

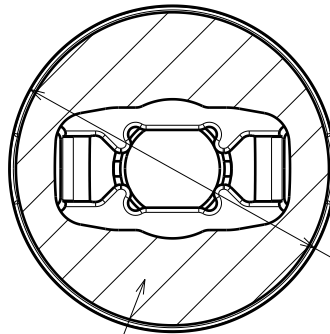
C

B

A



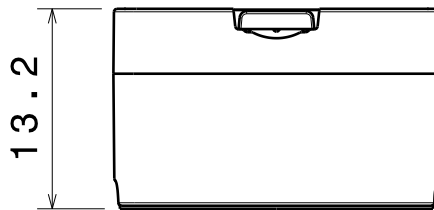
Isometric view  
Scale: 1:1



Bottom view

$\phi 21.6$

Tape 0.2mm



Front view

13.2

MATERIALS  
Lens: PMMA  
Holder: PC  
Tape: PU Foam

Part no.s:  
FA11109\_LOST-RS  
FA11110\_LOST-D  
FA11112\_LOST-M  
FA11114\_LOST-O-90  
FA11115\_LOST-REC

This drawing is our property.  
It can't be reproduced  
or communicated without  
our written agreement.



Ledil Oy  
Tehdaskatu 13  
FIN-24100 SALO  
Finland

DRAWING TITLE

Datasheet Lost-Series assy

DRAWN BY pv	DATE 09.03.2010
----------------	--------------------

CHECKED BY hh	DATE 17.09.2009
------------------	--------------------

DESIGNED BY pv	DATE 17.09.2009
-------------------	--------------------

SIZE A4	DRAWING NUMBER	REV 1
SCALE 2:1	WEIGHT (g) -	SHEET 1/1

D

A

4

4

3

3

2

2

1

1

## X-ON Electronics

Largest Supplier of Electrical and Electronic Components

*Click to view similar products for [LED Lighting Lenses Assemblies](#) category:*

*Click to view products by [Ledil](#) manufacturer:*

Other Similar products are found below :

[FCN12592\\_LE1-D-COP](#) [CA11362\\_IRIS](#) [CA16127\\_OLGA-S](#) [CP16107\\_CARMEN-50-S-C](#) [CS15763\\_STRADA-2X2MX-8-VSM](#)  
[C17171\\_DAISSY-8X1-SHD-MATT](#) [C17172\\_DAISSY-8X1-SHD-MATT-WHT](#) [C17173\\_DAISSY-4X1-WW-US](#) [C17341\\_DAISSY-4X1-WW-US-D](#) [CS15759\\_HB-2X2MX-8-W](#) [CS15769\\_STRADA-2X2MX-8-T2-S](#) [CA16435\\_LXP2-SS-WAS](#) [CS13756\\_STRADA-IP-2X6-DWC-PC](#)  
[CN16210\\_GABRIELLA-MIDI-W](#) [CP17138\\_CARMEN-M2-C-WHT](#) [CP17137\\_CARMEN-M2-C](#) [CA16015\\_STRADA-SQ-SCL](#)  
[C16989\\_DAISSY-7X1-W2](#) [C17225\\_DAISSY-7X1-SHD-WHT-MATT](#) [C17296\\_ILONA-ZOOM-SUB](#) [FP15752\\_STRADA-2X2MXS-T3](#)  
[C16590\\_DAISSY-4X1-SHD](#) [FP16562\\_LISA3-WWW-PIN](#) [CX15819\\_GABRIELLA-45-W](#) [C16870\\_DAISSY-7X1-WW](#) [CP12939\\_LARISA-RS-CLIP16](#) [C14636\\_XTM-PF-ADAPTER](#) [CA14506\\_G2-LXP2-RS2](#) [CA14508\\_G2-LXP2-D](#) [CA14601\\_VERONICA-SQ-MINI-RS](#)  
[FCP13895\\_SEANNA-A](#) [FN14637\\_OLIVIA-S](#) [CP12943\\_LARISA-O-CLIP16](#) [FP11124\\_LISA2-O-PIN](#) [CP10444\\_LISA-SS](#) [CS14597\\_HB-IP-2X6-O](#) [CP14995\\_FLORENTINA-HLD-O](#) [CP14994\\_FLORENTINA-HLD-M](#) [CP15775\\_CARMEN-M-C](#) [CS15158\\_STRADA-IP-2X6-T4-B](#)  
[CS15363\\_STRADA-IP-2X6-T2-B](#) [CS15751\\_STRADA-2X2MX-8-DWC](#) [CS15886\\_STRADA-IP-2X6-T2-B-90](#) [CS16323\\_STRADELLA-IP-28-HB-M](#) [FN14976\\_STELLA-DWC2](#) [FN15264\\_STELLA-HB-WWW](#) [FN15966\\_RONDA-WWW-C](#) [FN15971\\_RONDA-WAS-C](#)  
[FP15073\\_ZORYA-SC-B](#) [CA15584\\_ZORYA-MINI-TAPE](#)