

# Data Sheet

## LL01CR-AYGxxR49



CXA15xx



### ■ Features & Typical Applications

- High efficiency
- Available with 3 beam angles
- Optimized Uniformity
- Reflectors with Holder
- Spotlight
- Highbay
- Downlight

### ■ Table of Contents

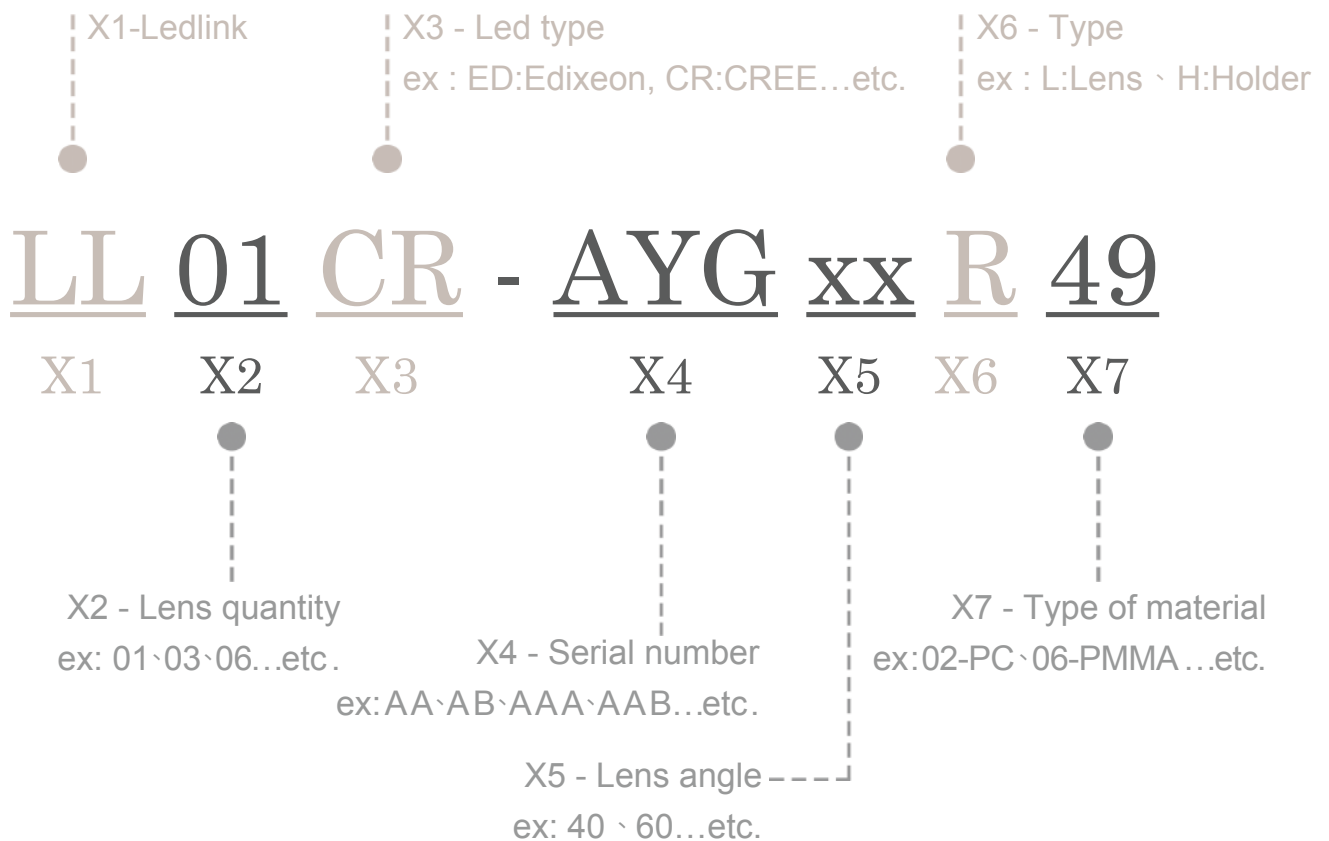
General Information & Product Nomenclature.....	P.2
Optical Specifications .....	P.3
Mechanical Specifications .....	P.4
Package Specifications.....	P.5

# LL01CR-AYGxxR49

## General Information

- Reflector Material : Aluminum
- Product surface anodized.
- Operating Temperature range -40°C~+110°C(upper limit +120°C).
- Storage Temperature range -40°C~+110°C(upper limit +120°C).
- Usage and Maintenance:
  1. If necessary, clean reflectors with mild soap, water and soft cloth.
  2. Never use any commercial cleaning solvents on reflectors, like alcohol.
  3. Please handle or install reflectors with wearing gloves, skin oils may damage reflector or its optical characteristic.

## Product Nomenclature



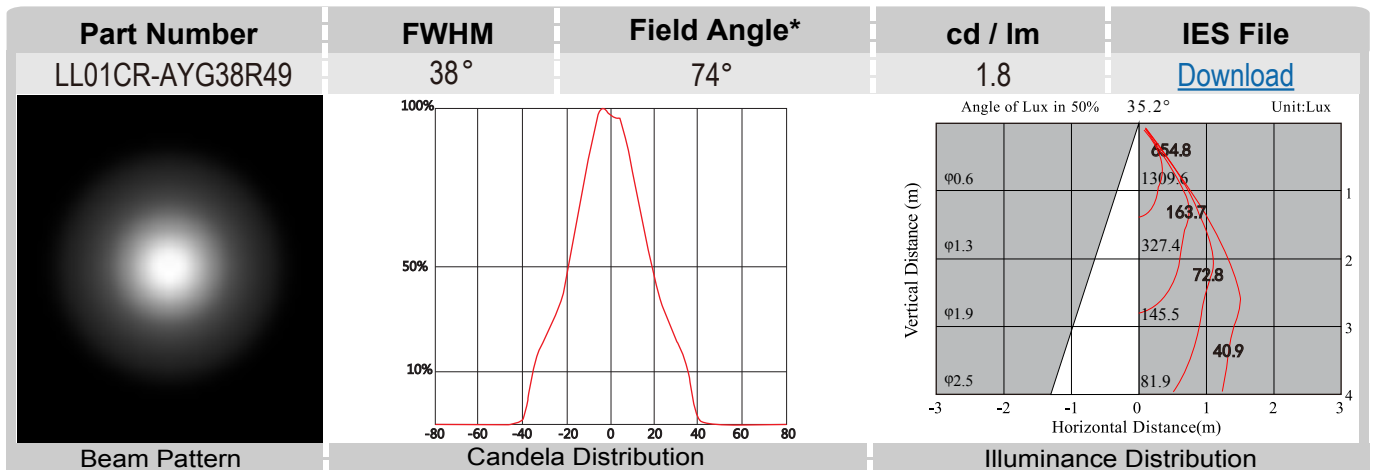
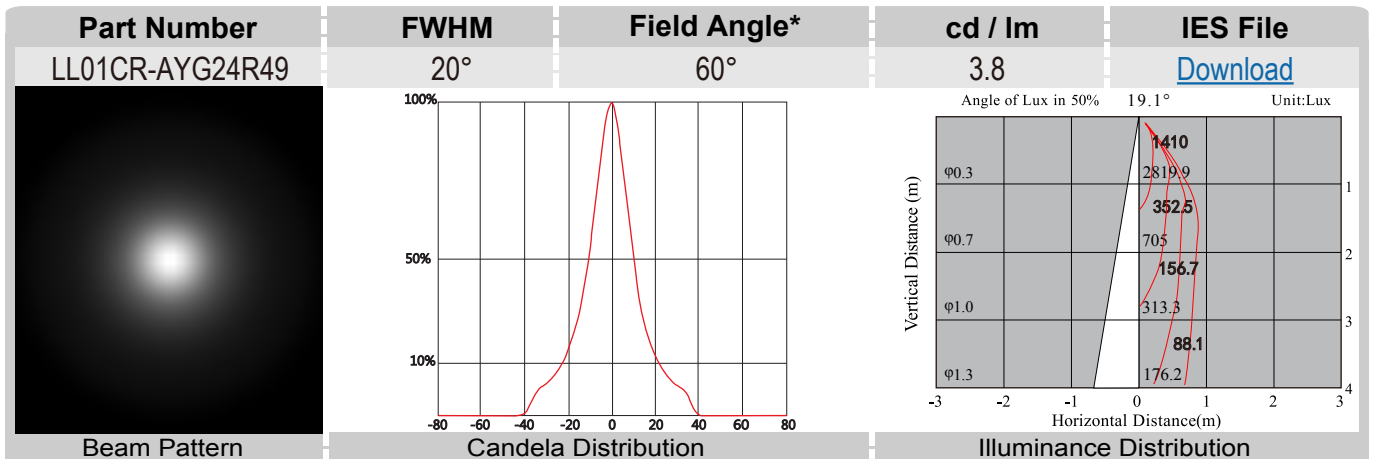
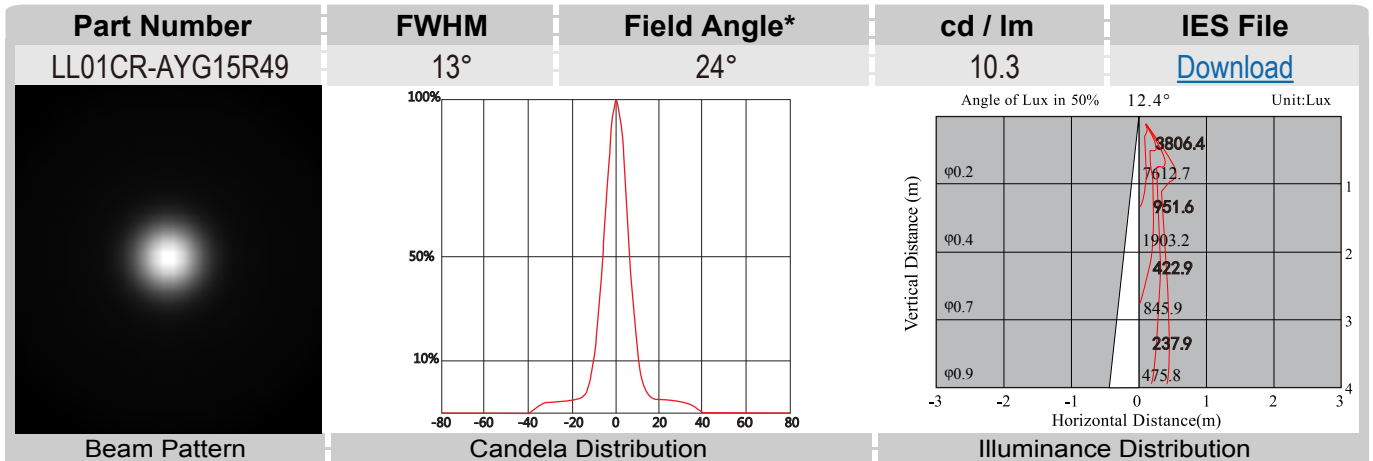
# LL01CR-AYGxxR49

## Optical Specifications



CXA15xx

Note: (1) All the results of analysis are based on 0 degrees of elevation.  
 (2) Tolerance:  $\pm 10\%$ .  
 (3) Led Luminous Flux(lm): 740( $\pm 5\%$ ).



\*The Field Angle is the angle between the two directions opposed to each other over the beam axis for which the luminous intensity is 10% that of the maximum luminous intensity.  
 \*This testing result is obtained through testing the popular rank LED samples which provided by the original manufacturer. Hence, the testing results would be varied as the users choose same LED model but different rank.

# LL01CR-AYGxxR49

## Mechanical Specification

### 1. Fixing method

 Glue

 Screw

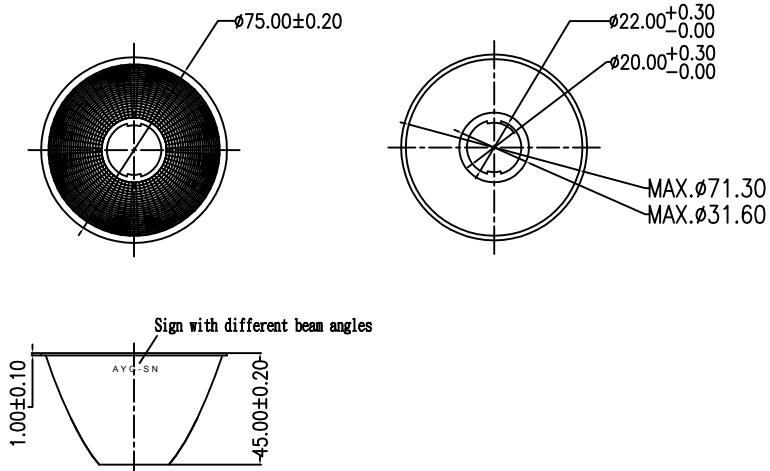
 Tape

 Fixing-ring

 Frame

Note: (1) All dimensions are in mm.  
 (2) All tolerance are  $\pm 0.15$  mm unless otherwise specified.

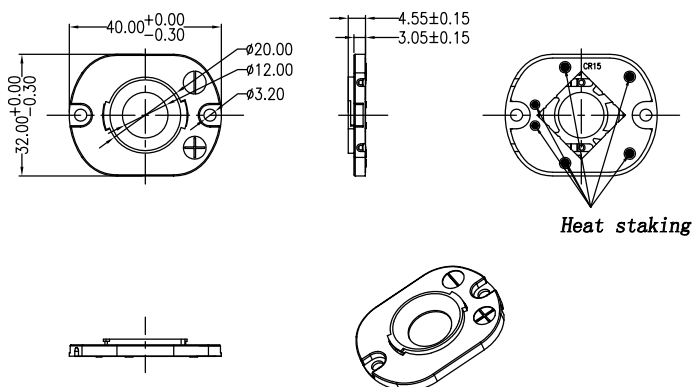
### 2. Reflector dimension



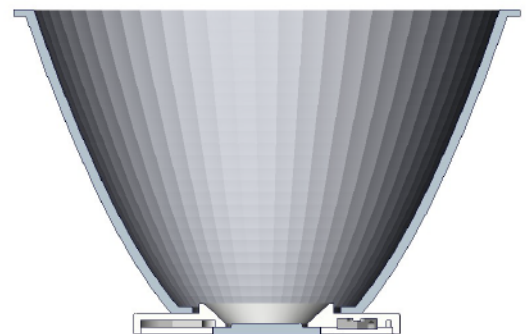
### 3. Reflector + Connector + Leds assembly instruction



### 4. Connector dimension



### 5. View assembly Reflector with LED:



LL30A00SUSB2-M2

## X-ON Electronics

Largest Supplier of Electrical and Electronic Components

*Click to view similar products for [LED Lighting Lenses](#) category:*

*Click to view products by [LedLink Optics](#) manufacturer:*

Other Similar products are found below :

[LL01ED-AK40L06](#) [LL01ZZ-EX25L06-M2](#) [180182-0000](#) [LL01ED-ALI55R49](#) [C14707\\_IDA16-O](#) [C12231\\_LENA-FRESNEL-LENS](#)  
[LL01ED-AKY24R49](#) [LL01CR-AYG15R49](#) [LL01CR-OT32L06-M2](#) [LL01ZZ-AAA24L49](#) [LL01CR-CEN38L02](#) [LL01ZZ-AAA55L49](#)  
[LL01CR-AYG24R49](#) [LL01A00CZMB2-M2](#) [LL01ED-AKY38R49](#) [LL01CR-CNE2545L06-M2](#) [LL01ZZ-AAA38L49](#) [LL01ED-AKV36R49](#)  
[LL01ED-ALI24R49](#) [LL01CR-AYG38R49](#) [C17171\\_DAISSY-8X1-SHD-MATT](#) [F16859\\_LINDA-ZT25](#) [C17295\\_ILONA-ZOOM](#)  
[F16636\\_LINDA-W60](#) [C17362\\_DAISSY-7X1-W-D](#) [C17361\\_DAISSY-7X1-WW-D](#) [10003](#) [10003/15](#) [10048](#) [10049](#) [10108](#) [10510](#)  
[F14487\\_FLORENCE-1R-MAXI-WG](#) [12667](#) [C14165\\_STRADA-2X2-ME-WIDE2](#) [C14605\\_HB-2X2-RW](#) [C14642\\_FLORENCE-1R-UP](#)  
[CAY033](#) [CAY046/55](#) [FCX11157\\_RES-O-90](#) [OS-LRI2015X45S](#) [OSOLRA2015M](#) [PG1C-NX36](#) [PG1C-SX17](#) [PM2A-SXV1](#) [PM2B-NX55-](#)  
[AW](#) [PM6A-FN25](#) [FC2231-0000-0050-L](#) [FC2231-0000-0100-L](#) [C14116\\_STRADA-2X2-PX](#)