

# LL010S-AXxxL-Mx Data Sheet

*For Osram Multi-Color and Single-Color LEDs*



## Features:

- High efficiency
- Available in 3 beam Patterns
- Optimized for uniform effects
- Lens with Housing

## Typical applications :

- Stage Lighting
- Street Lights
- Decorative Light
- Architectural Lighting
- Down Light

## Table of Contents

General Information.....	2
General Specifications.....	2
Optical Specifications.....	3
Mechanical Specifications.....	4
Illumination charts.....	5
Package Specifications.....	6
Product Nomenclature.....	7

## General Information

- **Compatible Led Type :**

The LL01OS-AXxxL-Mx single lens are optimized for both Multi-Color R.G.B Osram LEDs and Single-Color Osram LEDs (Osram W5AM White)from Osram Opto.<sup>(1)</sup>

- **Beam Angle Type :**

An optimized profile integrate different front shape enable the generation of three different lens models : smallest beam(20deg);medium beam (40deg);biggest beam (60deg) <sup>(2)</sup>

- **The Way to Assembly :**

The Lens should be assembled to the PCB board or MCPCB upon LEDs which provides the most appropriate related position, so as to achieve the best uniform results

**\* Manually installation or if necessary thermal glue are recommended.**

- **Function :**

LL01OS-AXxxL-Mx provides exceptional color mixing result with the highest efficiency through careful engineering and precision manufacturing process.

\*Lens holders are available in Black, white and clear.

## General Specifications

- Lens Material                                    Optical Grade PMMA    PC
- Operating Temperature range            -40°C ~ + 70°C (upper limit +80°C)
- Storage Temperature range                -40°C ~ + 70°C (upper limit +80°C)

\*Average transmittance in visible spectrum 400nm~700nm > 90%

Notes:

(1) Osram W5AM is a trademark of Osram,Inc , for technical information on LEDs, please refer to Osram,Inc, www.Osram.com.

(2) Typical beam divergence will be affected by different color of LEDs.

## Optical Specifications [ Typical beam Angle and intensity (cd/lm) of LL01 lens ]

• Osram W5AM LED

Typical Cone Angle (degree) <sup>(3)</sup> with Osram W5AM			
Part Number	Red LEDs	Green LEDs	Blue LEDs
LL01OS-AX20L-M2	--	--	--
LL01OS-AX40L-M2	--	--	--
LL01OS-AX60L-M2	--	--	--

The typical cone angle measures where the luminous intensity is 90% of the peak value of intensity. This typical cone varies with LED color due to different chip size and chip position tolerance.

Typical on axis intensity (cd/lm) <sup>(4)</sup> with Osram W5AM			
Part Number	Red LEDs	Green LEDs	Blue LEDs
LL01OS-AX20L-M2	--	--	--
LL01OS-AX40L-M2	--	--	--
LL01OS-AX60L-M2	--	--	--

Luminous intensity depends on the flux binning and tolerance of the LEDs. Please refer to the LEDs data sheet for more details on Flux binning and mechanical tolerance.

• Osram W5AM LED

Typical Cone Angle (degree) <sup>(3)</sup> with Osram W5AM			
Part Number	White LEDs	Warm white LEDs	
LL01OS-AX20L-M2	19	28	
LL01OS-AX40L-M2	50	38	
LL01OS-AX60L-M2	55	55	

The typical cone angle the full angle measured where the luminous intensity is 90% of the peak value of intensity. That typical cone varies with LED color due to different chip size and chip position tolerance.

Typical on axis intensity (cd/lm) <sup>(4)</sup> with Osram W5AM			
Part Number	White LEDs	Warm white LEDs	
LL01OS-AX20L-M2	1150	330	
LL01OS-AX40L-M2	680	285	
LL01OS-AX60L-M2	420	140	

Luminous intensity depends on the flux binning and tolerance of the LEDs. Please refer to the LEDs data sheet for more detail on Flux binning and mechanical tolerance

Notes:

(3) The typical divergence will be changed by different color, chip size and chip position tolerance. The typical total divergence is the full angle measured where the luminous intensity is half of the peak value.

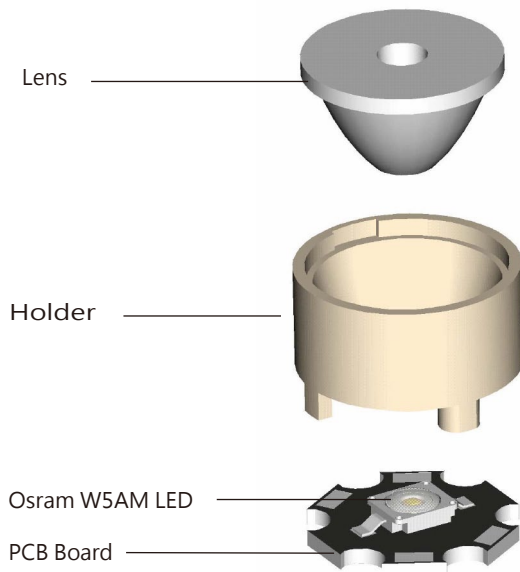
(4) The efficiency value listed above is the total value of the whole lens model, the value depends on the total flux of the LED used. Luminous intensity depends on the LEDs flux and its tolerances, for more details of LED flux, please check Osram data sheet at [www.osram.com](http://www.osram.com).

## Mechanical Specifications

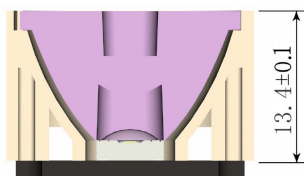
### • Usage and Maintenance :

1. If necessary, clean lenses with mild soap, water and soft cloth
2. Never use any commercial cleaning solvents on lenses, like alcohol
3. Please handle or install lenses with wearing gloves, skin oils may damage lens or its optical characteristic.

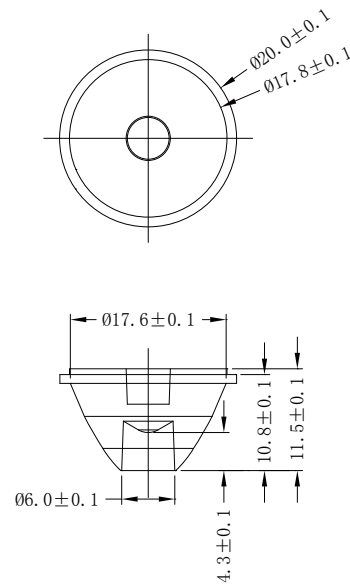
### 1. Lens + Leds+MCPCB assembly instruction



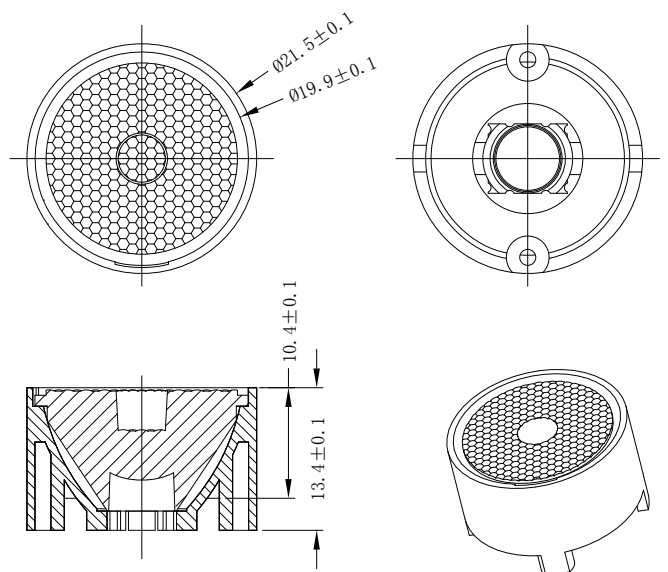
### 2. View assembly lens with MCPCB:



### 3. Lens dimensions and Top Views:



### 4. Lens assembly dimensions and Top Views :



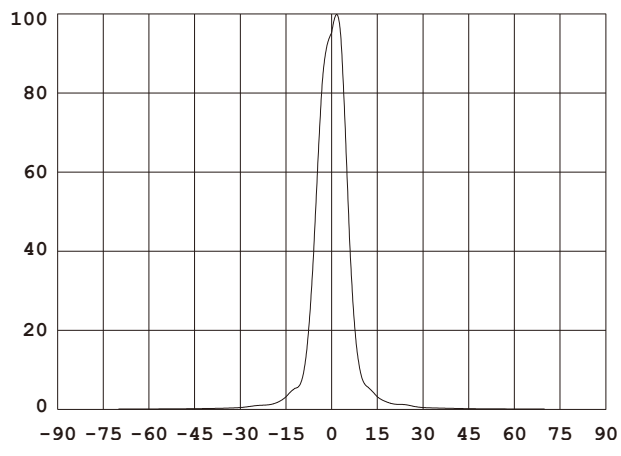
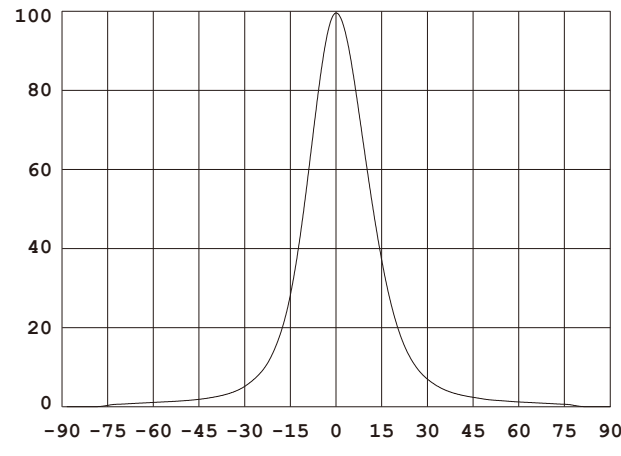
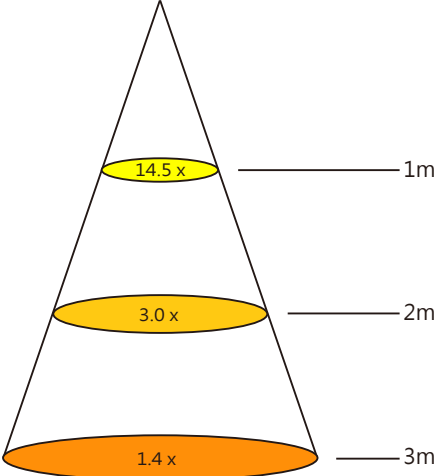
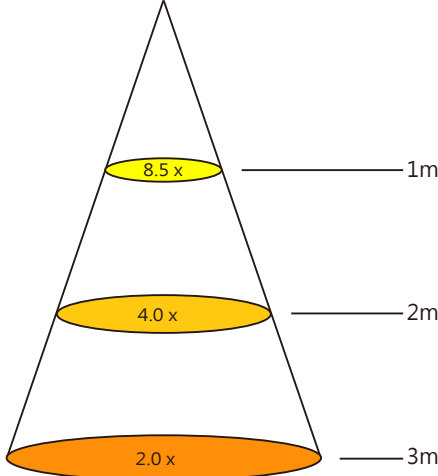


#### Notes:

- (1) All dimensions are in mm.
- (2) Drawing not to scale.
- (3) Collimator material is PMMA.

## Illumination charts


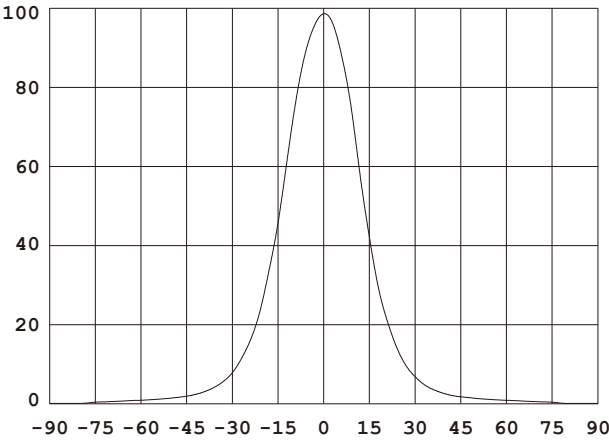
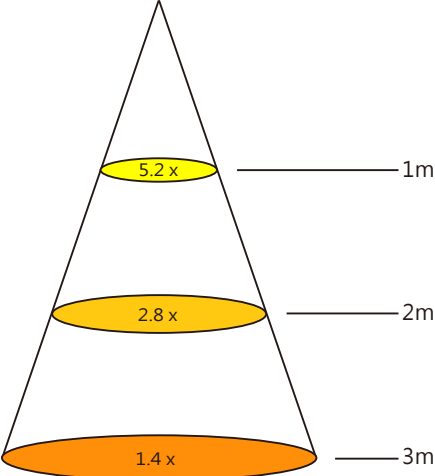
\*Osram single white LED: Osram W5AM

LL01OS-AX20L-M2	LL01OS-AX40L-M2
1. Beam Pattern	1. Beam Pattern
	
2. Light Distribution Curve	2. Light Distribution Curve
	
3. Illuminance	3. Illuminance
	

Notes: The Flux of Osram W5AM LED is 80 lm

## Illumination charts

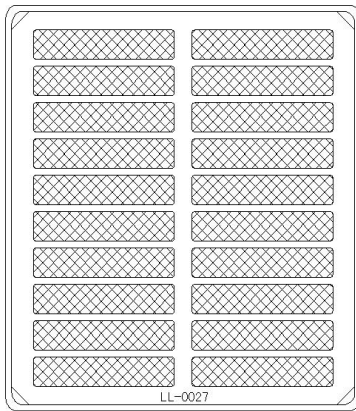
\*Osram single white LED: Osram W5AM

LL01OS-AX60L-M2	
1. Beam Pattern	
	
2. Light Distribution Curve	
	
3. Illuminance	
	

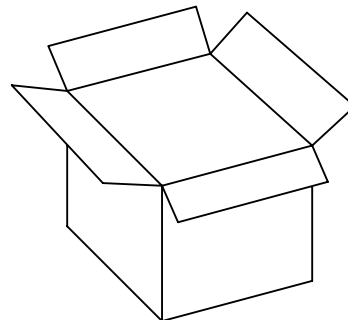
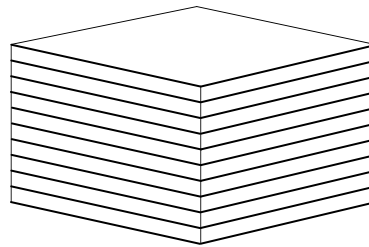
Notes: The Flux of Osram W5AM LED is 80 lm

## Package

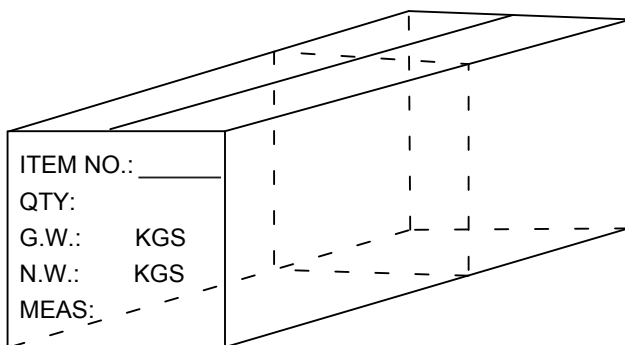
Item	Quantity	Total	Size (long*width* high)
Tray	100	100pcs	34*30*3.5 cm
Inner box	10tray/box	1000pcs	35*31*21 cm
Outer box	2 Inner box/outer box	2000pcs	64.7*36.5*24 cm



100pcs/tray

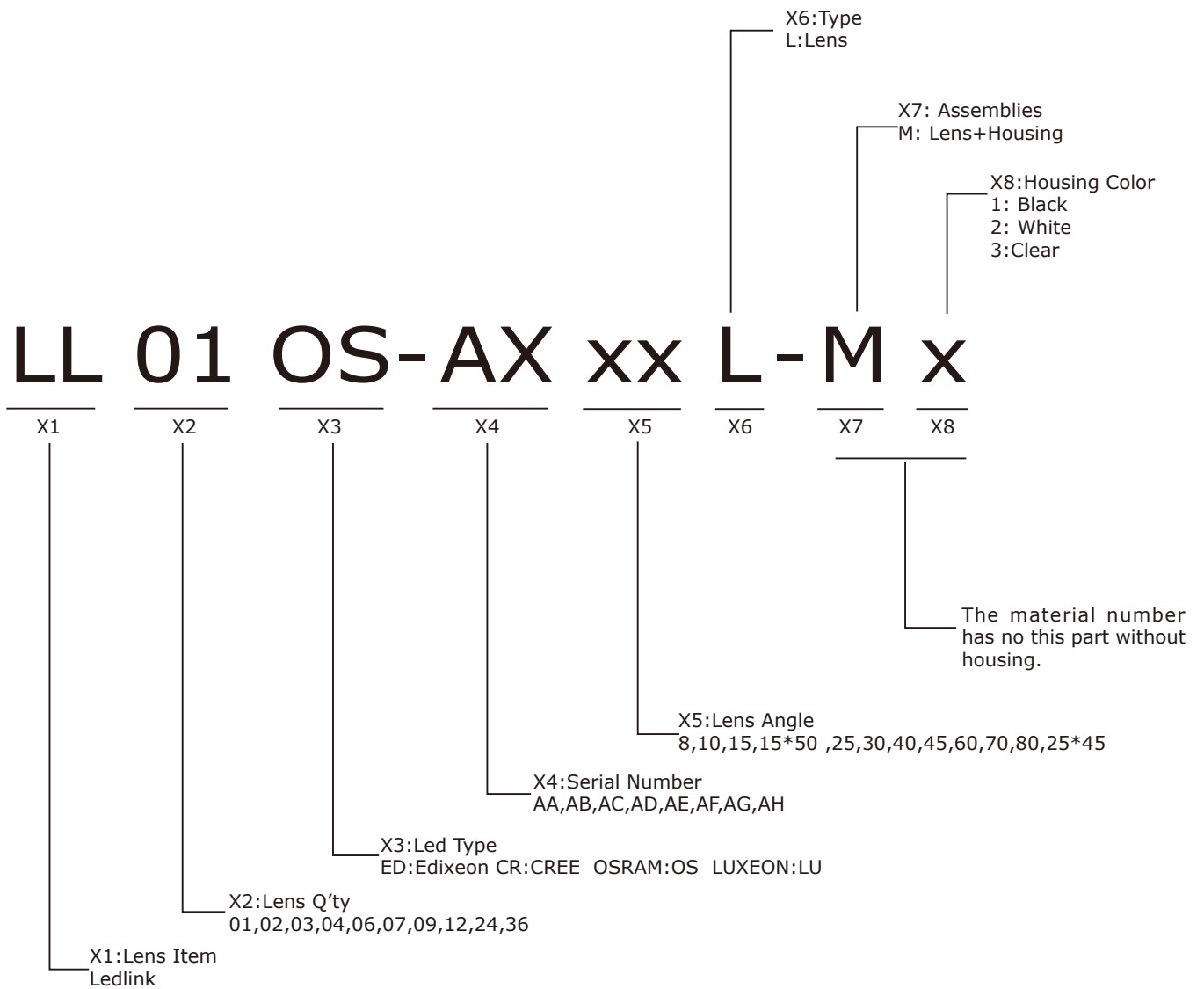


1000pcs/inner box



2000pcs/outer box

## Product Nomenclature





## X-ON Electronics

Largest Supplier of Electrical and Electronic Components

*Click to view similar products for [LED Lighting Lenses](#) category:*

*Click to view products by [LedLink Optics](#) manufacturer:*

Other Similar products are found below :

[LL01ED-AK40L06](#) [LL01ZZ-EX25L06-M2](#) [180182-0000](#) [LL01ED-ALI55R49](#) [C14707\\_IDA16-O](#) [C12231\\_LENA-FRESNEL-LENS](#)  
[LL01ED-AKY24R49](#) [LL01CR-AYG15R49](#) [LL01CR-OT32L06-M2](#) [LL01ZZ-AAA24L49](#) [LL01CR-CEN38L02](#) [LL01ZZ-AAA55L49](#)  
[LL01CR-AYG24R49](#) [LL01A00CZMB2-M2](#) [LL01ED-AKY38R49](#) [LL01CR-CNE2545L06-M2](#) [LL01ZZ-AAA38L49](#) [LL01ED-AKV36R49](#)  
[LL01ED-ALI24R49](#) [LL01CR-AYG38R49](#) [C17171\\_DAISSY-8X1-SHD-MATT](#) [F16859\\_LINDA-ZT25](#) [C17295\\_ILONA-ZOOM](#)  
[F16636\\_LINDA-W60](#) [C17362\\_DAISSY-7X1-W-D](#) [C17361\\_DAISSY-7X1-WW-D](#) [10003](#) [10003/15](#) [10048](#) [10049](#) [10108](#) [10510](#)  
[F14487\\_FLORENCE-1R-MAXI-WG](#) [12667](#) [C14165\\_STRADA-2X2-ME-WIDE2](#) [C14605\\_HB-2X2-RW](#) [C14642\\_FLORENCE-1R-UP](#)  
[CAY033](#) [CAY046/55](#) [FCX11157\\_RES-O-90](#) [OS-LRI2015X45S](#) [OSOLRA2015M](#) [PG1C-NX36](#) [PG1C-SX17](#) [PM2A-SXV1](#) [PM2B-NX55-](#)  
[AW](#) [PM6A-FN25](#) [FC2231-0000-0050-L](#) [FC2231-0000-0100-L](#) [C14116\\_STRADA-2X2-PX](#)